

DESPIECE MOTORES
PARTS CATALOGUE
ESPLOSI MOTORI



PARSON[®]

REC
MAF



DESPIECE MOTORES PARTS CATALOGUE ESPLOSI MOTORI



F6A / F5A

PAG 4

BANDEJA Y TAPA MOTOR / BOTTON & TOP COWLING / BASE E COPPERCHIO CALANDRA	4
ARRANQUE / STARTER / AVVIAMENTO	5
BLOQUE / CRANKCASE / BLOCCO	5
CULATA / CYLINDER HEAD / TESTATA	6
DISTRIBUCIÓN / CAMSHAFT / DISTRIBUZIONE	6
CIGÜEÑAL Y PISTONES / CRANKSHAFT & PISTON / ALBERO MOTORE E PISTONE	7
BOMBA COMBUSTIBLE / FUEL SYSTEM / POMPA BENZINA	7
ADMISIÓN / INTAKE / ASPIRAZIONE	8
DIRECCIÓN / STEERING / STERZO	9
CARBURADOR / CARBURETOR / CARBURATORE	10
ELECTRICIDAD / ELECTRICAL / PARTE ELETTRICA	10
COLA SUPERIOR / UPPER CASING / PARTE ALTA PIEDE	11
CAMBIO / CONTROL SYSTEM / CALANDRA	11
SOPORTE MOTOR / BRACKET / SUPPORTE MOTORE	12
COLA INFERIOR / LOWER CASING / PARTE INFERIORE PIEDE	12



F20A / F15A

PAG 14

TAPA MOTOR / TOP COWLING / COPPERCHIO CALANDRA	14
ARRANQUE / STARTER / AVVIAMENTO	14
BANDEJA MOTOR / BOTTON COWLING / BASE CALANDRA	15
CAMBIO / CONTROL SYSTEM / CALANDRA	16
BLOQUE / CRANKCASE / BLOCCO	17
CULATA / CYLINDER HEAD / TESTATA	18
CIGÜEÑAL Y PISTONES / CRANKSHAFT & PISTON / ALBERO MOTORE E PISTONE	18
VÁLVULA / VALVE / VALVOLA	19
DISTRIBUCIÓN / CAMSHAFT / DISTRIBUZIONE	19
BOMBA COMBUSTIBLE / FUEL SYSTEM / POMPA BENZINA	20
ADMISIÓN / INTAKE / ASPIRAZIONE	20
CARBURADOR / CARBURETOR / CARBURATORE	21
ELECTRICIDAD / ELECTRICAL / PARTE ELETTRICA	22
DIRECCIÓN / STEERING / STERZO	24
SOPORTE MOTOR / BRACKET / SUPPORTE MOTORE	25
COLA SUPERIOR / UPPER CASING / PARTE ALTA PIEDE	26
COLA INFERIOR / LOWER CASING / PARTE INFERIORE PIEDE	28
CAJA DE MANDOS / CONTROL BOX / SCATOLA COMANDI	29



F40FWL-T

PAG 32

TAPA MOTOR / TOP COWLING / COPPERCHIO CALANDRA	32
BANDEJA MOTOR / BOTTON COWLING / BASE CALANDRA	33
ARRANQUE / STARTER / AVVIAMENTO	34
CAMBIO / CONTROL SYSTEM / CALANDRA	35
BLOQUE / CRANKCASE / BLOCCO	37
CULATA / CYLINDER HEAD / TESTATA	38
CIGÜEÑAL Y PISTONES / CRANKSHAFT & PISTON / ALBERO MOTORE E PISTONE	39
VÁLVULA / VALVE / VALVOLA	39
BOMBA COMBUSTIBLE / FUEL SYSTEM / POMPA BENZINA	40
ADMISIÓN / INTAKE / ASPIRAZIONE	41
CARBURADOR / CARBURETOR / CARBURATORE	42
ELECTRICIDAD / ELECTRICAL / PARTE ELETTRICA	44
DIRECCIÓN / STEERING / STERZO	47
SOPORTE MOTOR / BRACKET / SUPPORTE MOTORE	48
COLA SUPERIOR / UPPER CASING / PARTE ALTA PIEDE	51
COLA INFERIOR / LOWER CASING / PARTE INFERIORE PIEDE	52
CARTER / OIL PAN / COPPA LO'OLLIO	55
CAJA DE MANDOS / CONTROL BOX / SCATOLA COMANDI	56
BOMBA DE ACEITE / OIL PUMP / POMPA OLIO	58
DEPÓSITO EXTEIOR / OUTER FUEL TANK / SERBATOIO ESTERNO	58
BOMBA ACEITE ELÉCTRICA / ELECTRIC OIL PUMP / POMPA OLIO ELETTRICA	59
POWER TRIM & TILT	60
CIRCUITO COMBUSTIBLE / FUEL COMMON RAIL / COMBUSTIBILE	61



F50FWL-T / F60FWL-T

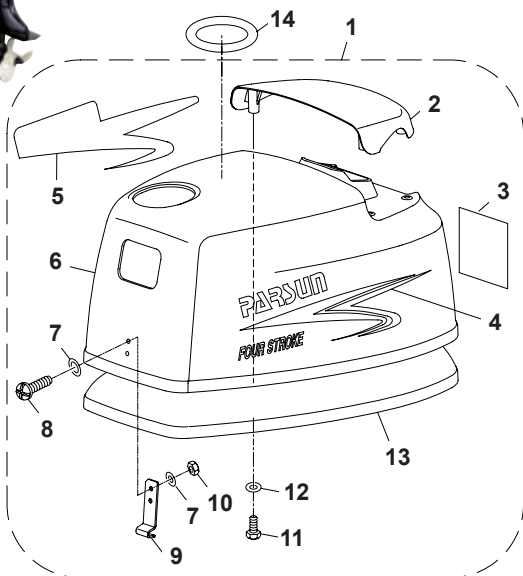
PAG 63

TAPA MOTOR / TOP COWLING / COPPERCHIO CALANDRA	63
VARILLA ENLACE / LINK ROD / ASTICELLA DI UNIONE	63
BANDEJA MOTOR / BOTTON COWLING / BASE CALANDRA	64
COLA SUPERIOR / UPPER CASING / PARTE ALTA PIEDE	65
CAMBIO / CONTROL SYSTEM / CALANDRA	66
BLOQUE / CRANKCASE / BLOCCO	67
CULATA / CYLINDER HEAD / TESTATA	68
CIGÜEÑAL Y PISTONES / CRANKSHAFT & PISTON / ALBERO MOTORE E PISTONE	68
BOMBA COMBUSTIBLE / FUEL SYSTEM / POMPA BENZINA	69
SOPORTE MOTOR / BRACKET / SUPPORTE MOTORE	70
ADMISIÓN / INTAKE / ASPIRAZIONE	71
ELECTRICIDAD / ELECTRICAL / PARTE ELETTRICA	72
COLA INFERIOR / LOWER CASING / PARTE INFERIORE PIEDE	74
CAJA DE MANDOS / CONTROL BOX / SCATOLA COMANDI	76
CARTER / OIL PAN / COPPA LO'OLLIO	77
BOMBA ACEITE ELÉCTRICA / ELECTRIC OIL PUMP / POMPA OLIO ELETTRICA	78
BOMBA DE ACEITE / OIL PUMP / POMPA OLIO	79
DEPÓSITO EXTEIOR / OUTER FUEL TANK / SERBATOIO ESTERNO	80
CIRCUITO COMBUSTIBLE / FUEL COMMON RAIL / COMBUSTIBILE	80
TILT HIDRÁULICO / HYDRAULIC TILT / TILT IDRAULICO	81
VÁLVULA / VALVE / VALVOLA	83



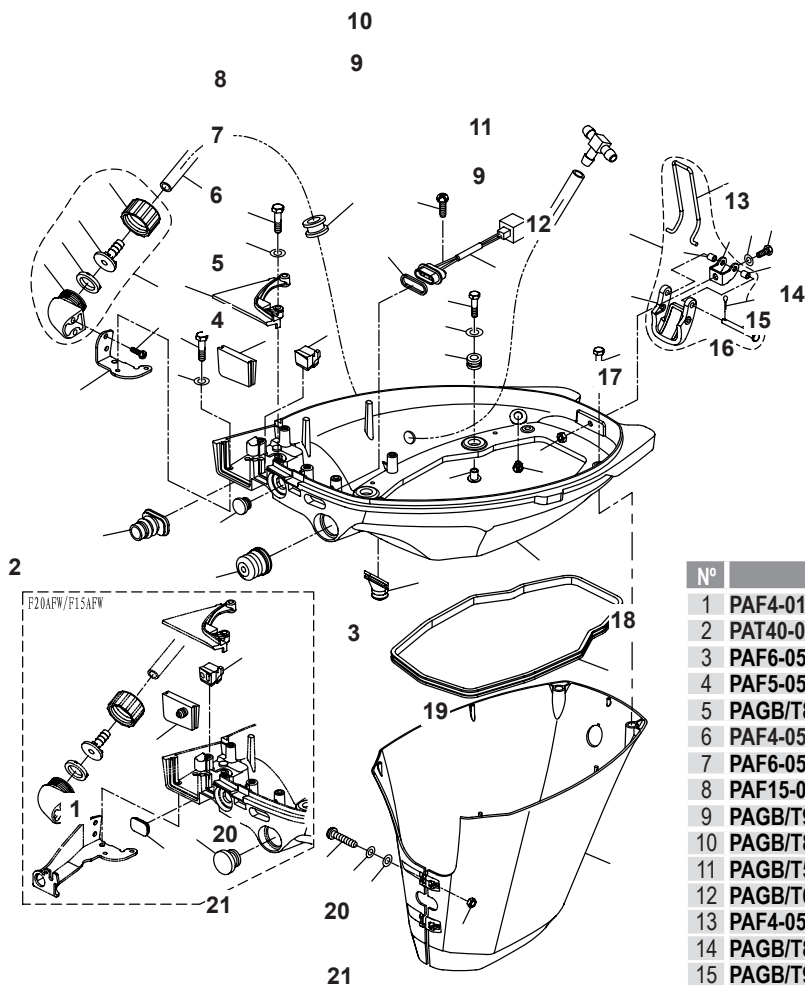
F6A / F5A

TAPA MOTOR / TOP COWLING ASSY / COPPERCHIO CALANDRA



N°	Ref.	Description	Quantity
1	PAF6-06000000	TOP COWLING ASSY	1
2	PAF6-06000004	COVER, TOP COWLING	1
3	PAF8-08000008	MARK 6	1
	PAF4-08000005	MARK 5	
4	PAF15-12000001	LEFT MARK	1
5	PAF15-12000002	RIGHT MARK	1
6	PAF6-06000001	TOP COWLING	1
7	PAGB/T97.1-5	WASHER 5	4
8	PAGB/T818-M5x14	SCREW, PAN HEAD M5x14	2
9	PAT36-06000003	FRONT POTHOOK	1
10	PAGB/T6170-M5	NUT M5	2
11	PAGB/T5783-M6x20	BOLT M6x20	4
12	PAGB/T97.1-6	WASHER 6	4
13	PAF6-06000002	SEAL	1
14	PAF4-08000019	MARK 19	1

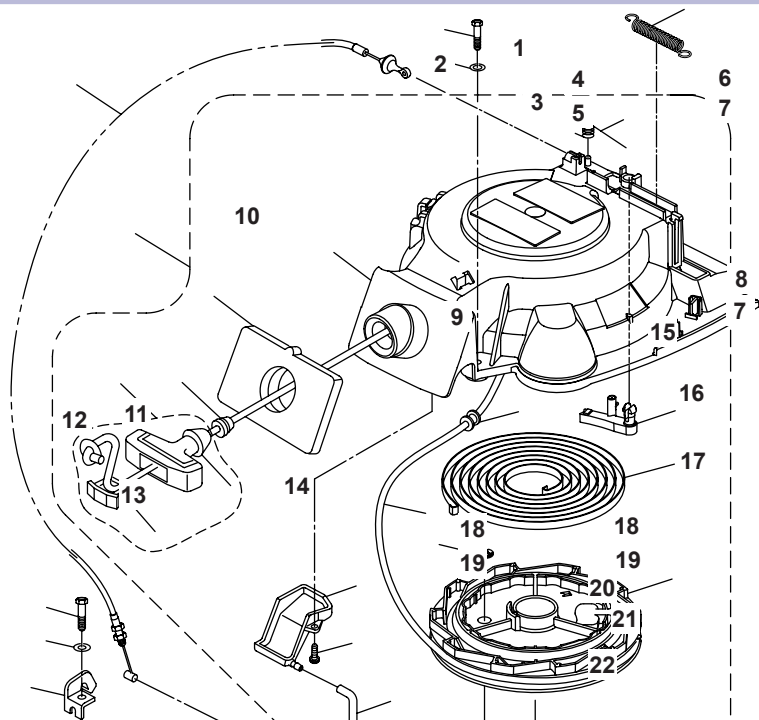
BANDEJA / BOTTOM COWLING / BASE CALANDRA



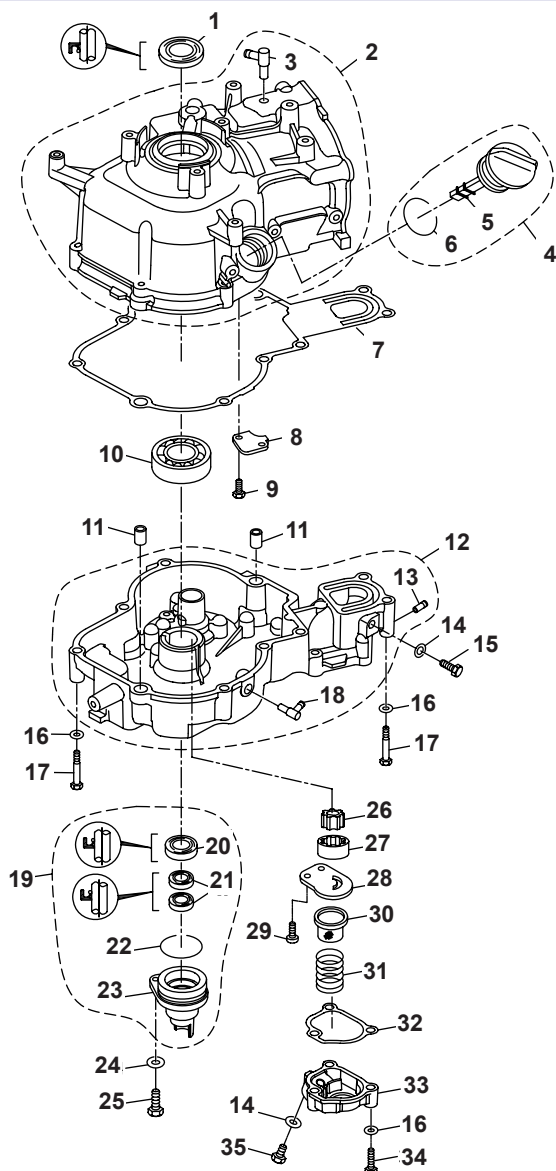
N°	Ref.	Description	Quantity
1	PAF4-01090401	STOPPER, HANG ROPE ASSY	1
2	PAT40-01020101	ENGINE STOP SWITCH ASSY	1
3	PAF6-05000001	BOTTOM COWLING	1
4	PAF5-05000102	PLUG, RUBBER	1
5	PAGB/T818-M4x12	SCREW M4x12	1
6	PAF4-05000101	KNOP, OIL SWITCH	1
7	PAF6-05000100	OIL SWITCH ASSY	1
8	PAF15-00000006	PIN Ø6x12	1
9	PAGB/T97.1-6	WASHER 6	5
10	PAGB/T818-M6x12	SCREW M6x12	1
11	PAGB/T5783-M6x20	BOLT M6x20	4
12	PAGB/T6170-M8	NUT M8	2
13	PAF4-05000023	LOCKING HOOK	1
14	PAGB/T818-M5x16	SCREW M5x16	1
15	PAGB/T97.1-5	WASHER 5	1
16	PAF4-05000020	SEAT, LOCKING HOOK	1
17	PAGB/T889.1-M5	LOCKING NUT M5	1
18	PAF5-05000013-2	COVER, RUBBER	1
19	PAF6-05000009	HANDLE	1
20	PAGB/T97.1-8	WASHER 8	2
21	PAF25-01010303	BOLT M8x20	2

ARRANQUE / STARTER ASSY / AVVIAMENTO

N°	Ref.	Description	Quantity
1	PAF6-05000010	TIGHTWIRE, DETENT	1
2	PAF6-04070000	STARTER ASSY	1
3	PAF6-04070001	CASING, STARTER	1
4	PAF4-04130009	DETENT	1
5	PAF4-04130010	WREST SPRING, DETENT	1
6	PAGB/T5783-M6x20	BOLT M6x20	1
7	PAGB/T97.1-6	WASHER 6	3
8	PAGB/T5783-M6x35	BOLT M6x35	2
9	PAF4-04130013	MEATUS, START ROPE	1
10	PAF6-04070003	ABSORBER, RUBBER	1
11	PAF4-04130101	HANDLE, STARTER	1
12	PAF4-04130102	COVER, STARTER HANDLE	1
13	PAF4-04130100	STARTER HANDLE ASSY	1
14	PAF4-04130011	WIRE, STARTER	1
15	PAF4-04130014	WASHER, THRUST	1
16	PAF4-04130005	SPRING, VOLUTE	1
17	PAF4-04130019	WHELL, START-UP	1
18	PAF4-04130004	SPRING, DRIVE	2
19	PAF4-04130003	PAWL, DRIVE	2
20	PAF4-04130007	SPRING, PLATE	1
21	PAF4-04130006	PLATE, PRELL	1
22	PAF4-04130008	BOLT, STARTER	1



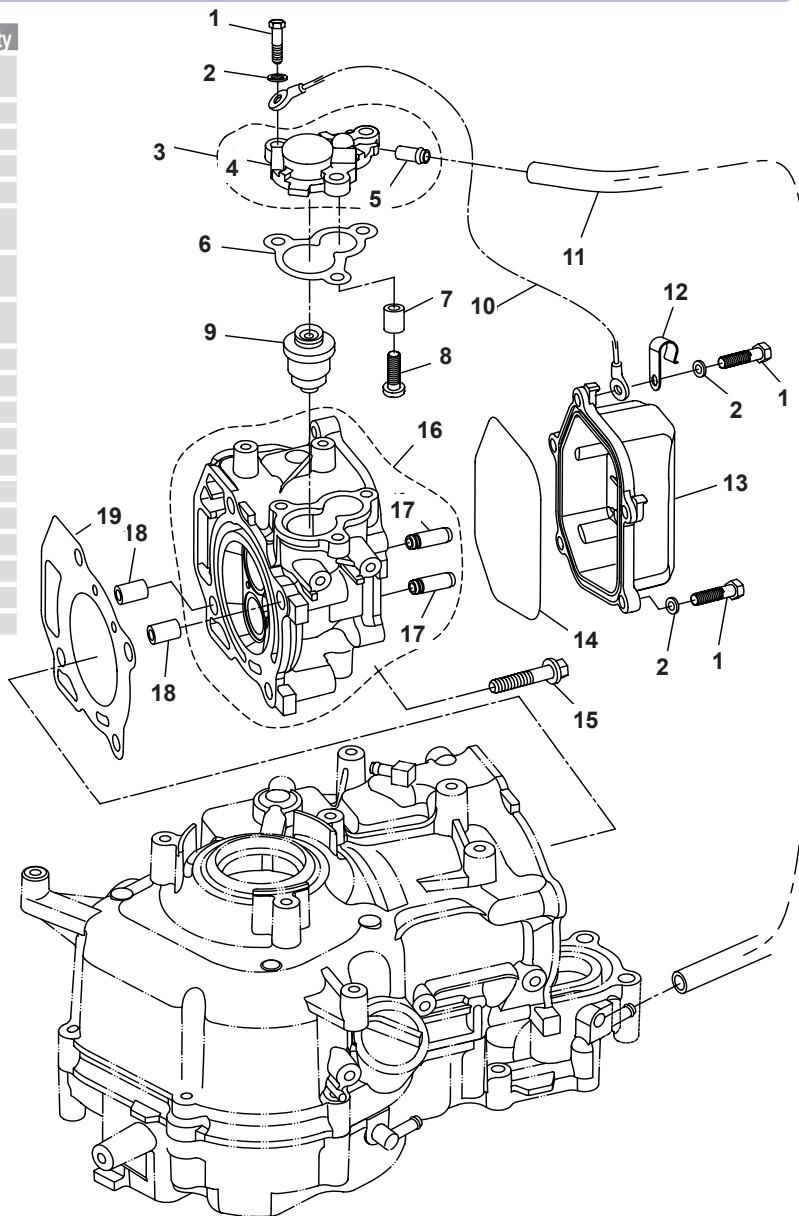
BLOQUE / CRANKCASE / BLOCCO



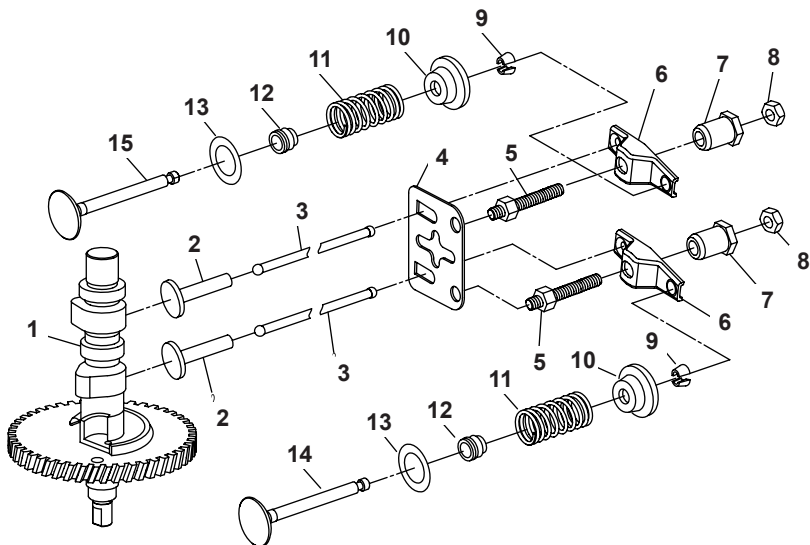
N°	Ref.	Description	Quantity
1	PAF4-04010004	OIL SEAL	1
2	PAF6-04010100	CRANK CASE ASSY	1
3	PAF8-05000700	GAS NIPPLE ASSY	1
4	PAF4-04000010	PLUG WITH DIPSTICK ASSY	1
5	PAF4-04000007	PLUG WITH DIPSTICK	1
6	PAF4-04000008	O-RING	1
7	PAF6-04000001	COMPLEX GASKET, CRANKCASE	1
8	PAF6-04010004	OIL BAFFLE PLATE	1
9	PAGB/T5783-M5x10	BOLT M5x10	2
10	PANTN 6205C3	BEARING 6205C3	1
11	PAF4-04000003	HOLLOW PIN Ø10x8.4x14	2
12	PAF6-04040100	COVER, CRANK CASE	1
13	PAF4-04010102	GAS NIPPLE	1
14	PAF4-04000006	WASHER	2
15	PAGB/T5783-M8x14	BOLT M8x14	1
16	PAGB/T97.1-6	WASHER 6	13
17	PAT6-05000021	BOLT M6x50	10
18	PAF15-04000005	WATER NIPPLE	1
19	PAF4-04060000	OIL SEAL SHELL ASSY	1
20	PAF2.6-04010001	OIL SEAL 20x30x7	1
21	PAF4-04060004	OIL SEAL 10.8x21x7	2
22	PAGB/T3452.1-Ø32.5xØ1.8	O-RNG Ø32.5xØ1.8	1
23	PAF4-04060001	SHELL, OIL SEAL	1
24	PAGB/T97.1-8	WASHER 8	1
25	PAGB/T5783-M8x20	BOLT M8x20	1
26	PAF6-04040002	INNER ROTOR, OIL PUMP	1
27	PAF6-04040003	OUTER ROTOR, OIL PUMP	1
28	PAF6-04040004	COVER BOARD, OIL PUMP	1
29	PAGB/T818-M6x10	BOLT M6x10	2
30	PAF6-04040006	STRAINER, OIL PUMP	1
31	PAF6-04040007	SPRING, OIL PUMP	1
32	PAF6-04040005	GASKET, OIL PUMP	1
33	PAF6-04040008	COVER, OIL PUMP	1
34	PAGB/T5783-M6x35	BOLT M6x35	3
35	PAF6-04040009	BOLT	1

CULATA / CYLINDER HEAD / TESTATA

N°	Ref.	Description	Quanty
1	PAGB/T5783-M6x20	BOLT M6x20	8
2	PAGB/T97.1-6	WASHER 6	8
3	PAF4-04070000	THERMOSTAT COVER ASSY	1
4	PAF4-04070001	COVER THERMOSTAT	1
5	PAF4-04010102	NOZZLE	1
6	PAF4-04000011	GSKET, THERMOSTAT COVER	1
7	PAF4-04070003	ANODE, THERMOSTAT COVER	1
8	PAGB/T818-M5x25	SCREW M5x25	1
9	PAF15-07000031	THERMOSTAT (S60)	1
10	PAF6-04000009	WIRE, LEAD	1
11	PAF6-04000020	PIPE, RETURN WATER	1
12	PAT36-04000023	CLAMP	1
13	PAF6-04000004	COVER, CYLINDER HEAD	1
14	PAF6-04000005	SEAL, RING	1
15	PAF4-04000034	BOLT, CYLINDER HEAD	4
16	PAF6-04050100	CYLINDER HEAD ASSY	1
17	PAF4-04080102	GUIDE, VALVE	2
18	PAF4-04000003	HOLLOW PIN Ø10x8.4x14	2
19	PAF6-04000002	GASKET, CYLINDER HEAD	1

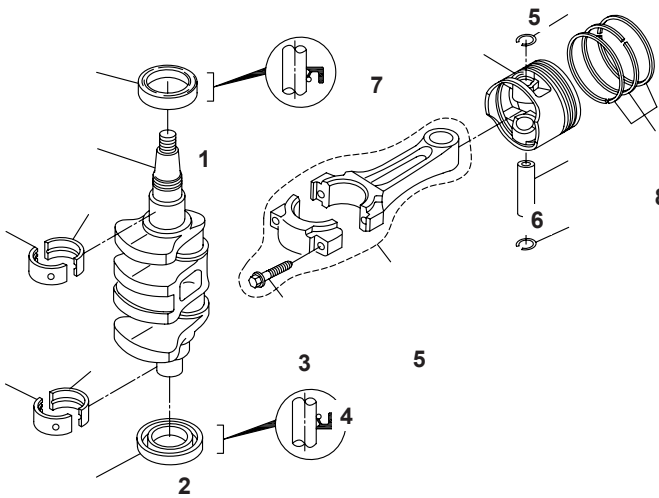


DISTRIBUCIÓN / CAMSHAFT / DISTRIBUZIONE



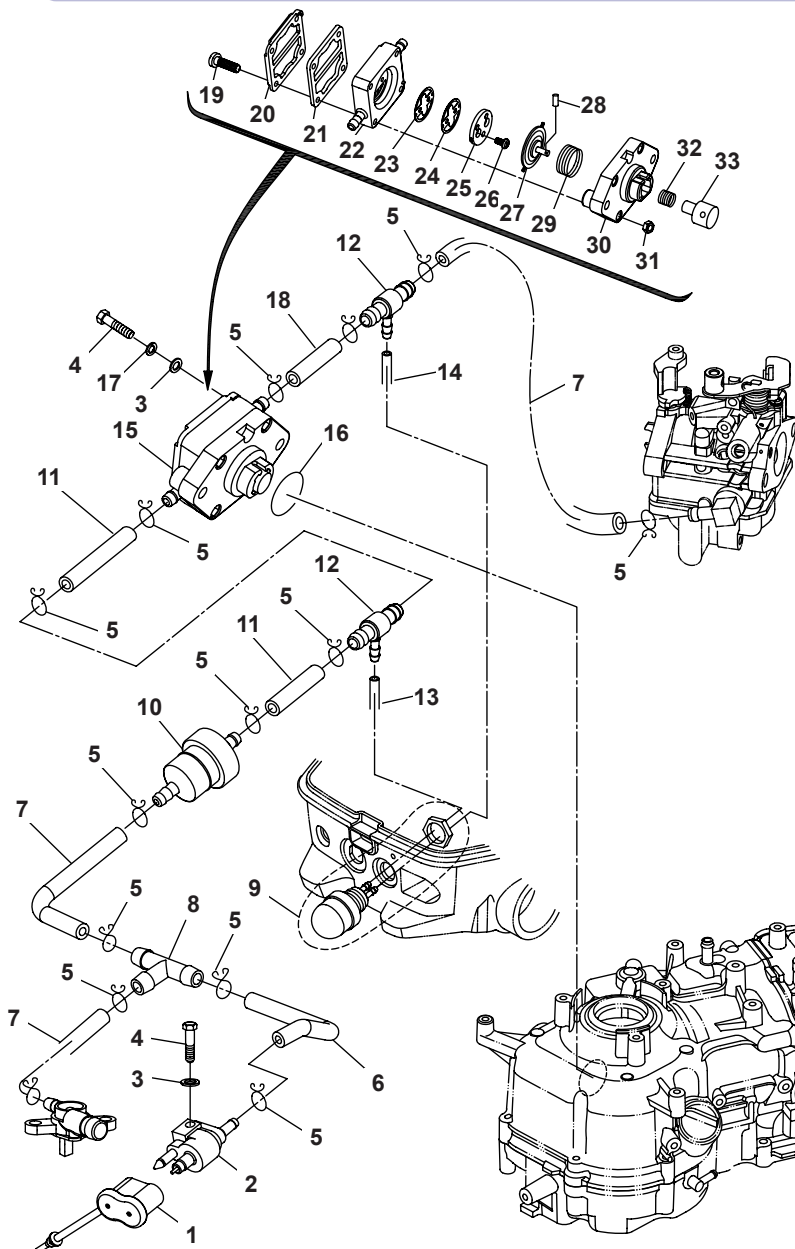
N°	Ref.	Description	Quanty
1	PAF6-04030000	CAMSHAFT ASSY	1
2	PA166F-000001	LIFTER, VALVE	2
3	PAF6-04000003	ROD, VALVE PUSH	2
4	PAF6-04050004	PLATE, PUSH ROD	1
5	PA166F-010008	BOLT, ROCKER ARM	2
6	PA166F-010009	ARM, VALVE ROCKER	2
7	PA166F-010010	PIVOT, ROCKER ARM	2
8	PA166F-010011	LOCKNUT M6x0.75	2
9	PAF8-05030007	CLAMP, VALVE	4
10	PAF8-05030006	SEAT, VALVE SPRING	2
11	PAF6-04050003	SPRING, VALVE	2
12	PA166F-010003	OIL SEAL, VALVE	2
13	PAF4-04080007	WASHER, VALVE SPRING	2
14	PAF6-04050002	DOOR, EXHAUST	1
15	PAF6-04050001	DOOR, INTAKE	1

CIGÜEÑAL Y PISTONES / CRANKSHAFT & PISTON ALBERO MOTORE E PISTONE



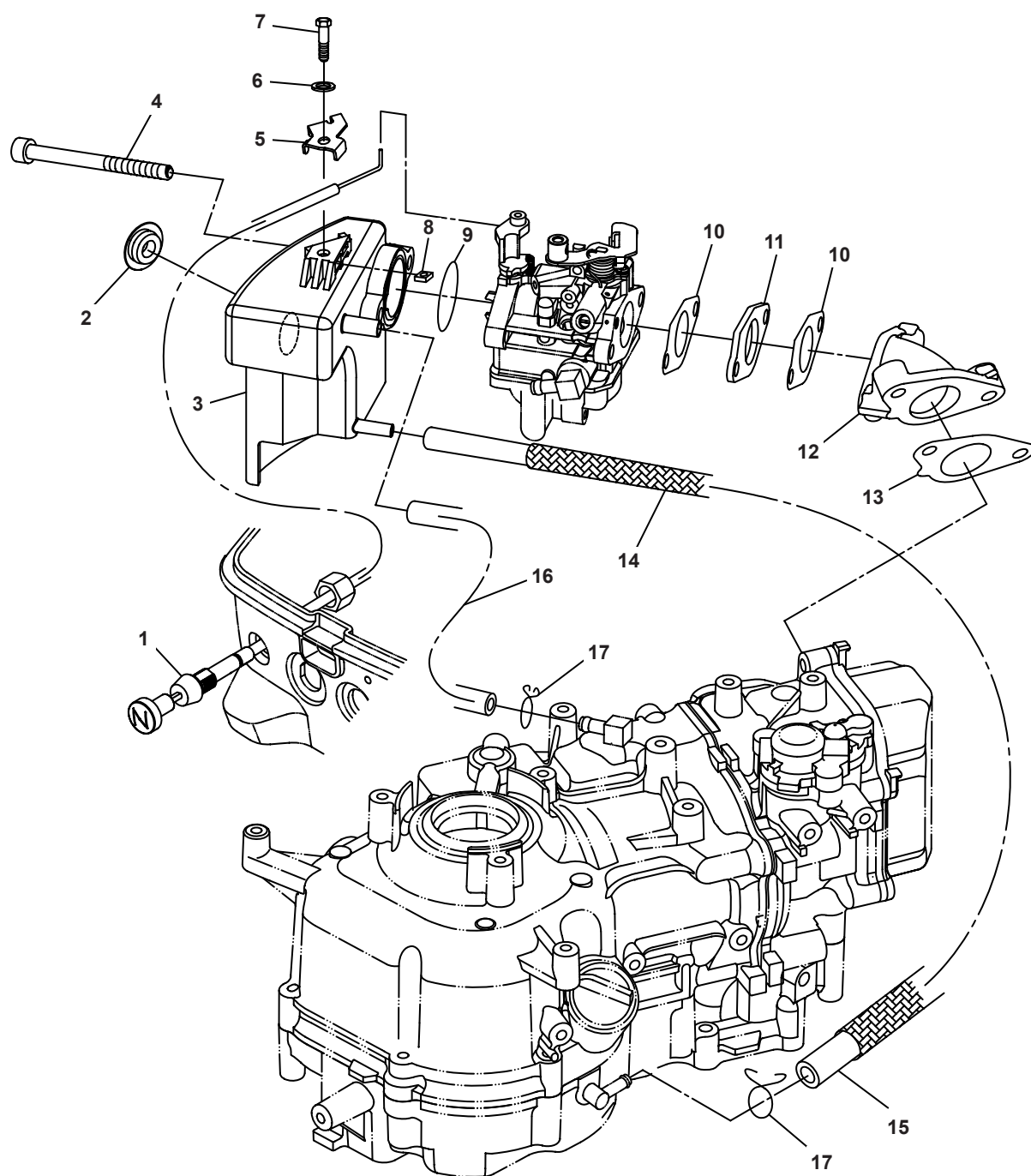
Nº	Ref.	Description	Quantity
1	PAF6-04000100	CRANK ASSY	1
2	PAF4-04000004	WASHER	1
3	PAF4-04020103	BOLT M7x35	2
4	PAF6-04020100	ROD, CONNECTING	1
5	PAF6-04020004	CIRCLIP	2
6	PAF6-04020003	PIN, PISTON	1
7	PAF6-04020001	PISTON	1
8	PAF6-04020002	PISTON RING ASSY	1

BOMBA COMBUSTIBLE / FUEL SYSTEM / POMPA BENZINA



Nº	Ref.	Description	Quantity
1	PAF6-05000006	RUBBER COVER	1
2	PAF4-05000200	FUEL PIPE, TIE-IN ASSY	1
3	PAGB/T97.1-6	WASHER 6	3
4	PAGB/T5783-M6x25	BOLT M6x25	3
5	PAF4-04000030	CLIP "B", FUEL PIPE	14
6	PAF6-05000002	FUEL PIPE "E"	1
7	PAF4-05000007	FUEL PIPE "C"	3
8	PAF15-05000011	PIPE, JOINT 3	1
9	PAF6-05010000	MANUAL PUMP ASSY	1
10	PAF4-05000300	FUEL FILTER ASSY	1
11	PAF6-04000017	FUEL PIPE "C" Ø5xØ10x60	2
12	PAF6-04000600	PIPE JOINT 3	2
13	PAF6-04000018	FUEL PIPE "D" Ø2.5xØ7x240	1
14	PAF6-04000016	FUEL PIPE "B" Ø2.5xØ7x500	1
15	PAF4-04090000	FUEL PUMP ASSY	1
16	PAF4-04090009	O-RING	1
17	PAGB/T93-6	SPRING WASHER 6	2
18	PAT6-03000002	PIPE	1
19	PAGB/T823-M4x25	SCREW, SMALL PAN HEAD M4x25	4
20	PAF4-04090003	COVER, FUEL PUMP	1
21	PAF4-04090004	DIAPHRAGM, TOP	1
22	PAF4-04090100A	FUEL PUMP SHELL	1
23	PAF4-04090001A	VALVE "B"	1
24	PAF4-04090002A	VALVE "A"	1
25	PAF4-04090003A	LIMITING BLOCK, SEPTUM	1
26	PAGB/T819.2-M3x5	SCREW M3x5	2
27	PAF4-04090100	DIAPHRAGM ASSY	1
28	PAGB/T309-3x12	ROLLER NEEDLE Ø3x12	1
29	PAF4-04090008	SPRING, DIAPHRAGM	1
30	PAF4-04090001	SEAT, FUEL PUMP	1
31	PAGB/T6170-M4	NUT M4	4
32	PAF4-04090007	SPRING, PLUNGER	1
33	PAF4-04090006	PLUNGER	1

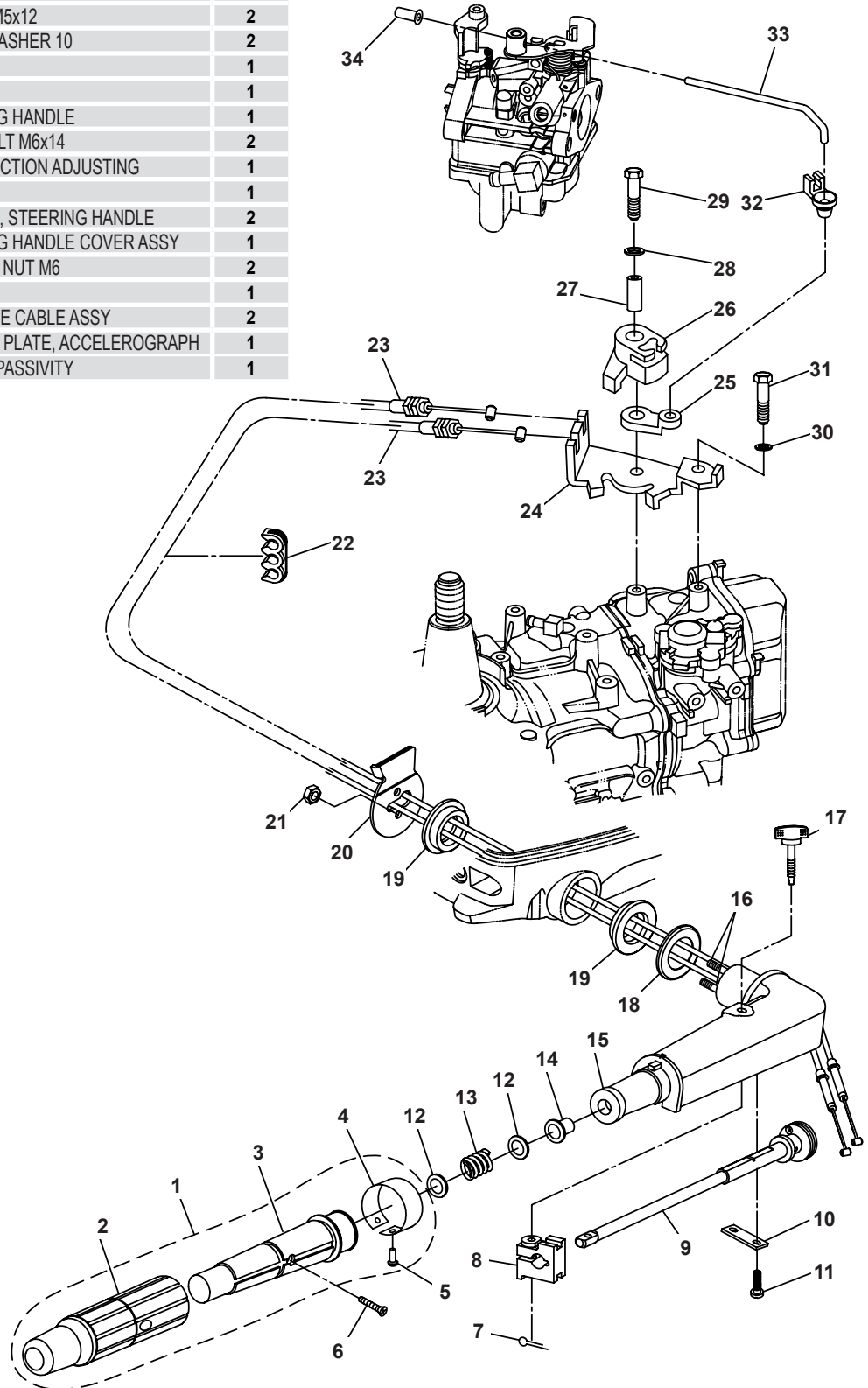
ADMISIÓN / INTAKE / ASPIRAZIONE



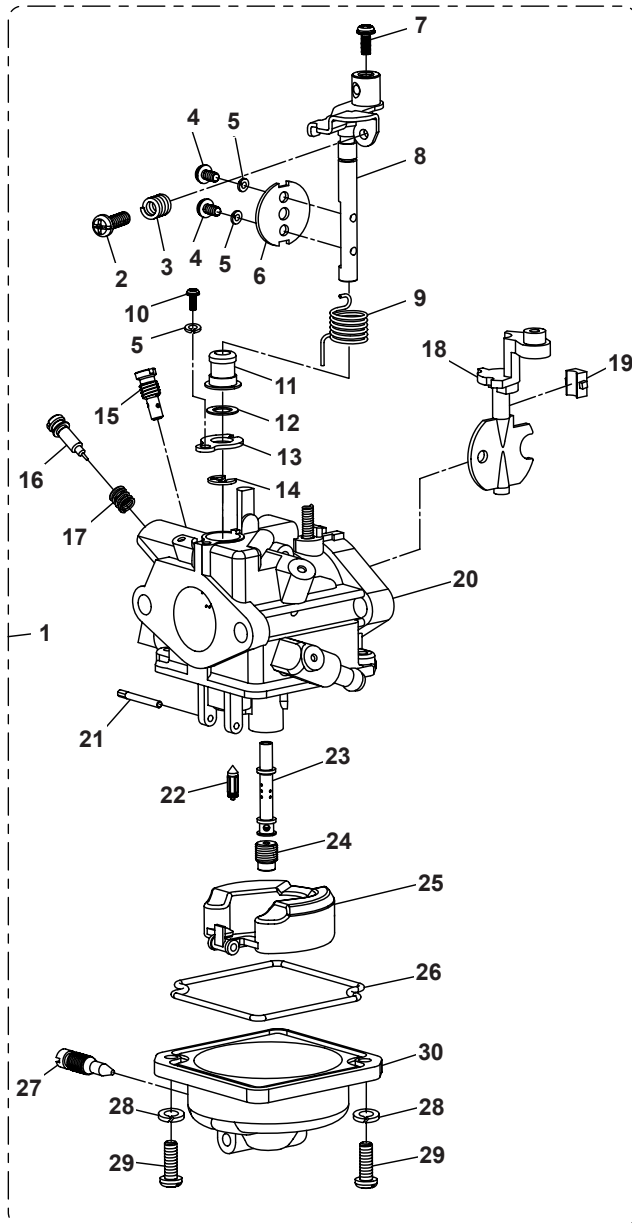
Nº	Ref.	Description	Quantity
1	PAF6-05000200	AIR CHOKE ASSY	1
2	PAF4-04110003	PLUG, INTAKE SILENCE	1
3	PAF6-04000200	INTAKE SILENCE ASSY	1
4	PAGB/T70.1-M6x85	BOLT M6x85	2
5	PAF6-04000014	PRESSING PLATE	1
6	PAGB/T97.1-5	WASHER 5	1
7	PAGB/T5783-M5x10	BOLT M5x10	1
8	PAGB/T39-M5	SQUARE NUT M5	1
9	PAGB/T3452-31.5x1.8	O-RING	1
10	PAF6-04000012	GASKET, CARBURETOR	2
11	PAF6-04000013	GASKET, CARBURETOR	1
12	PAF6-04000011	MANIFOLD, INTAKE	1
13	PAF6-04000010	GASKET, INTAKE MANIFOLD	1
14	PAF6-04000302	JACKET, RETURN OIL PIPE	1
15	PAF6-04000301	PIPE, RETURN OIL	1
16	PAF6-04000019	PIPE "B", RETURN OIL	1
17	PAF4-04000030	CLIP "B", FUEL PIPE	2

DIRECCIÓN / STEERING / STERZO

Nº	Ref.	Description	Qty	Nº	Ref.	Description	Qty
1	PAF4-01090300	STEERING HANDLE ASSY	1	26	PAF6-04000023	PULLEY, DRIVE	1
2	PAF4-01090302	RUBBER, STEERING HANDLE	1	27	PAF6-04000025	BUSHING	1
3	PAF4-01090301	GRIP, STEERING HANDLE	1	28	PAGB/T96-6	BIG WASHER 6	1
4	PAF4-01090303	INDICATOR THROTTLE	1	29	PAGB/T5783-M6x35	BOLT M6x35	1
5	PAGB/T827-2x5	RINET Ø2x5	1	30	PAGB/T97.1-6	WASHER 6	1
6	PAGB/T820-M5x25	SCREW M5x25	1	31	PAGB/T5783-M6x10	BOLT M6x10	1
7	PAGB/T91-1.6x12	COTTER PIN 1.6x12	1	32	PAF15-07000016	JOINT, ACCELEROGRAPH CONTROL	1
8	PAF4-01090003	FRICTION, STEERING HANDLE	1	33	PAF6-04000027	LINK ROD, ACCELEROGRAPH CONTROL	1
9	PAF6-01020100	LEVER, THROTTLE	1	34	PAF6-04000028	RUBBER CAP	1
10	PAF15-01020002	FIXED PLATE	1				
11	PAGB/T818-M5x12	SCREW M5x12	2				
12	PAGB/T848-10	SMALL WASHER 10	2				
13	PAF4-01090007	SPRING	1				
14	PAF4-01090006	BUSHING	1				
15	PAF6-01020001	STEERING HANDLE	1				
16	PAGB/T899-M6x14	STUD BOLT M6x14	2				
17	PAF4-01090200	BOLT, FRICTION ADJUSTING	1				
18	PAF6-01000002	COVER	1				
19	PAF6-01000001	BUSHING, STEERING HANDLE	2				
20	PAF6-01000003	STEERING HANDLE COVER ASSY	1				
21	PAGB/T889.1-M6	LOCKING NUT M6	2				
22	PAF25-05000016	CLAMP	1				
23	PAF6-01020200	THROTTLE CABLE ASSY	2				
24	PAF6-04000022	FIXATION PLATE, ACCELEROGRAPH	1				
25	PAF6-04000024	PULLEY, PASSIVITY	1				

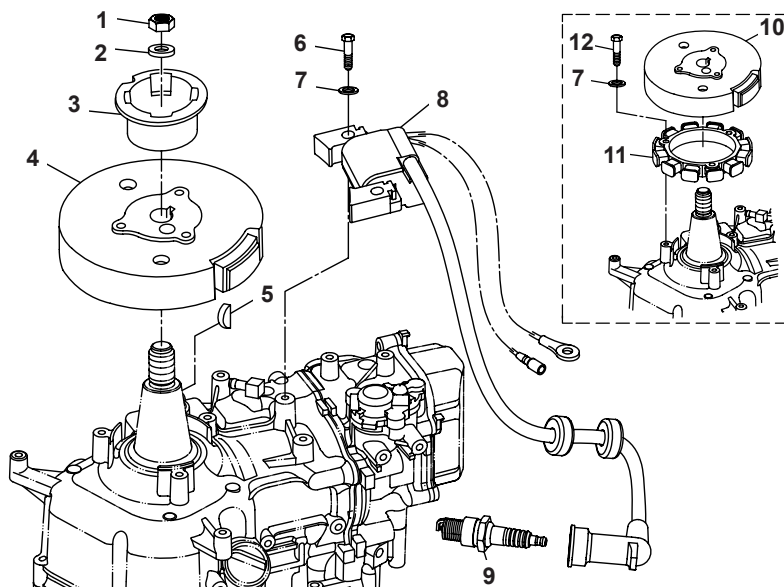


CARBURADOR / CARBURETOR ASSY / CARBURATORE



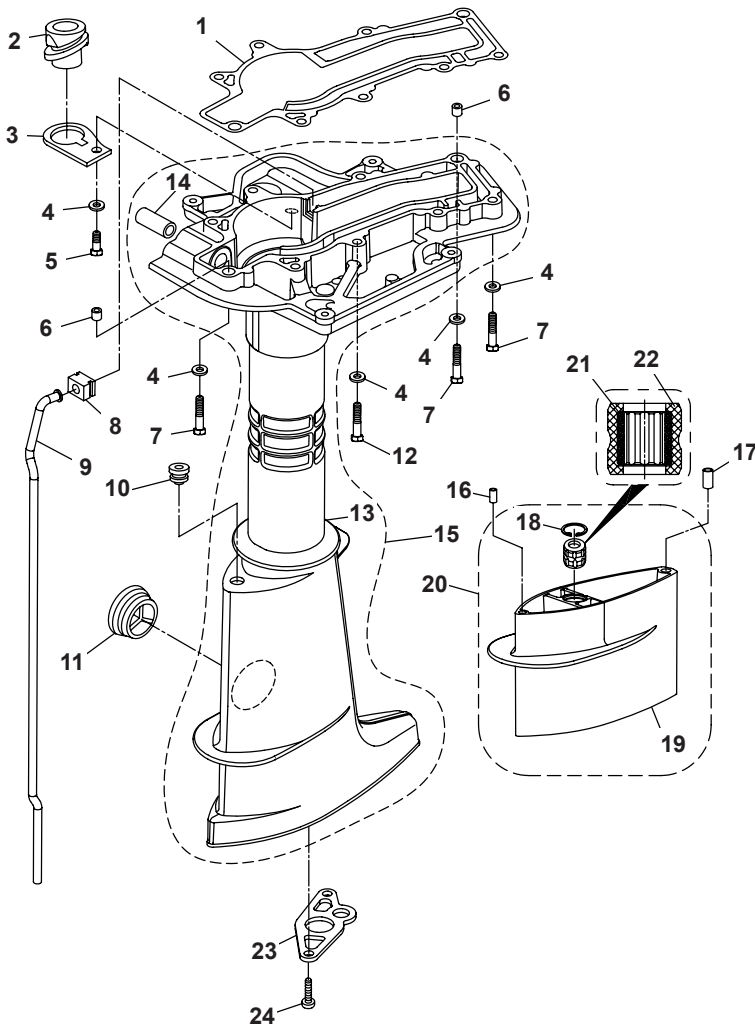
N°	Ref.	Description	Quantity
1	PAF6-04060000	CARBURETOR ASSY	1
2	PAF6-04060006	SCREW, AIR ADJUSTING	1
3	PAF6-04060007	SPRING	1
4	PAGB/T818-M3x6	SCREW M3x6	2
5	PAGB/T93-3	SPRING WASHER 3	3
6	PAF6-04060008	APRON, ACCELERATOR	1
7	PAGB/T818-M4x8	SCREW M4x8	1
8	PAF6-04060100	ACCELERATOR BAR ASSY	1
9	PAF6-04060002	SPRING, SWING LINK	1
10	PAGB/T818-M3x8	SCREW M3x8	1
11	PAF6-04060003	BUSHING	1
12	PAF6-04060004	WASHER, NYLON	1
13	PAF6-04060005	PRESSING PLATE	1
14	PAGB/T896-4	CIRCLIP 4	1
15	PAF6-04060013	JET, AIR ADJUSTING	1
16	PAF6-04060011	SCREW, MIXTURE	1
17	PAF6-04060012	SPRING	1
18	PAF6-04060009	APRON, AIR CHOKE	1
19	PAF6-04060010	BLOCK, AIR CHOKE	1
20	PAF6-04060001	BODY, CARBURETOR	1
21	PAF6-04060016	PIN, FLOAT	1
22	PAF6-04060014	NEEDLE VALVE	1
23	PAF6-04060017	MAIN NOZZLE	1
24	PAF6-04060018	MAIN JET	1
25	PAF6-04060015	FLOAT	1
26	PAF6-04060020	SEAL RING	1
27	PAF6-04060021	SCREW, DRAIN	1
28	PAGB/T93-4	SPRING WASHER 4	2
29	PAGB/T818-M4x12	SCREW M4x12	2
30	PAF6-04060019	BODY, OIL CUP	1

ELECTRICIDAD / ELECTRICAL / PARTE ELETTRICA



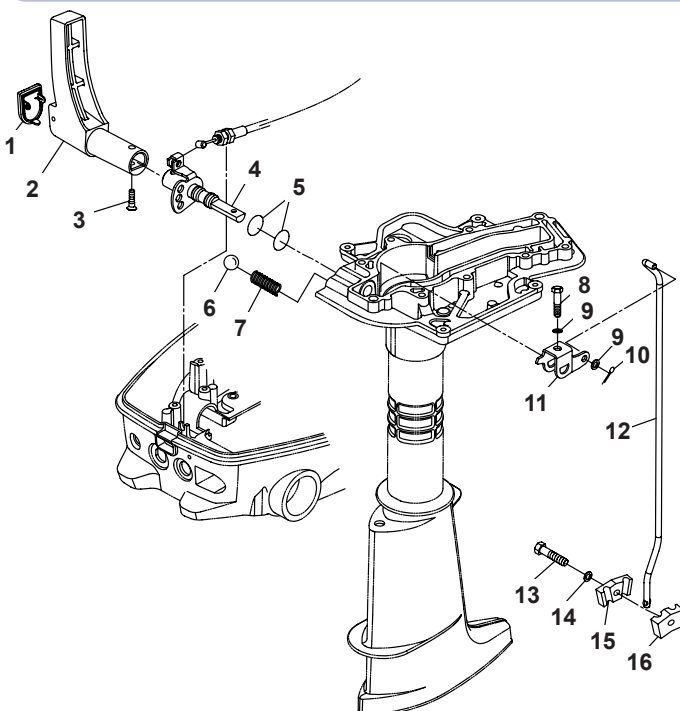
N°	Ref.	Description	Quantity
1	PAF8-05000024	NUT, FLYWHEEL	1
2	PAT15-05000011	WASHER, FLYWHEEL	1
3	PAF6-04000029	PULLEY, STANTER	1
4	PAF6-04000500	FLYWHEEL ASSY	1
5	PAF4-04000019	KEY	1
6	PAGB/T5783-M6x25	BOLT M6x25	2
7	PAGB/T97.1-6	WASHER 6	5
8	PAF6-04000400	IGNITION COIL ASSY	1
9	PANGK CR6HSA	SPARK PLUG	1
10	PAF6-04000700A	FLYWHEEL ASSY	1
11	PAF6-04000800A	STARTOR ASSY	1
12	PAGB/T5783-M6x30	BOLT M6x30	3

COLA SUPERIOR / UPPER CASING / PARTE ALTA PIEDE



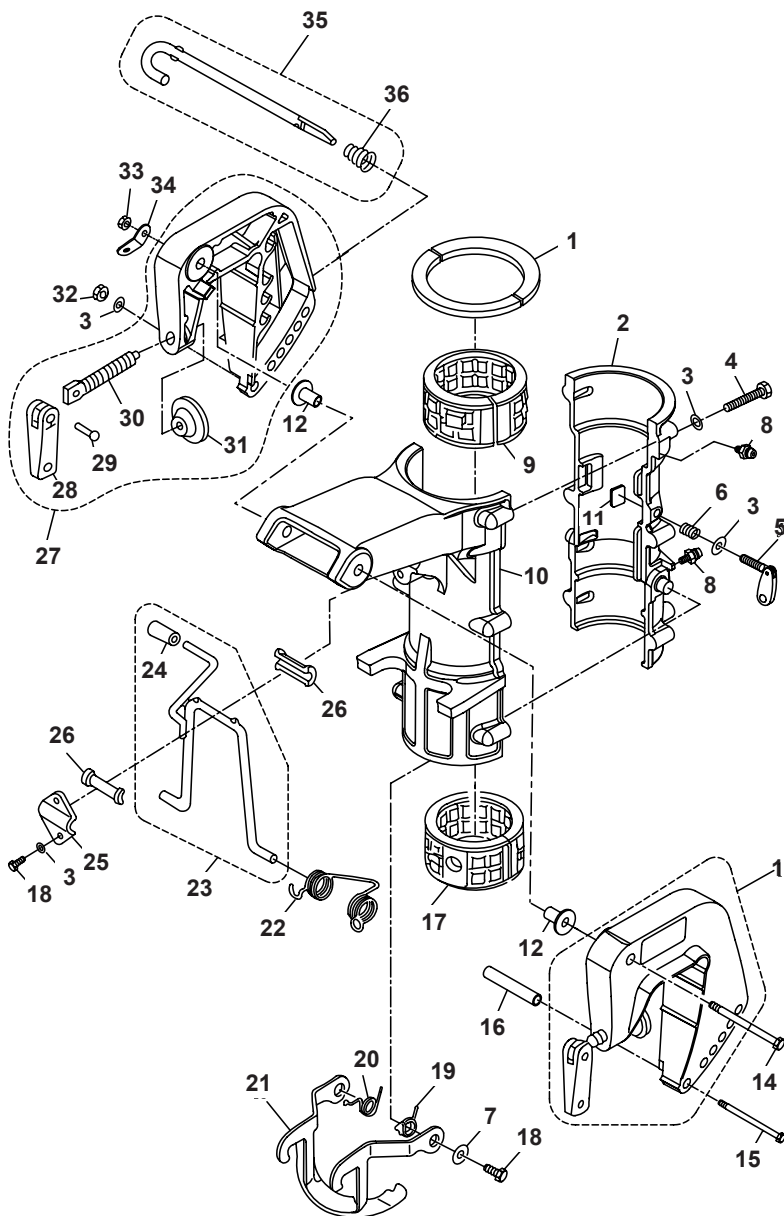
N°	Ref.	Description	Quantity
1	PAF6-00000001	GASKET ENGINE	1
2	PAF6-02000003	RUBBER SLEEVE, OIL OUTLET	1
3	PAF6-02000004	PRESSING PLATE	1
4	PAGB/T97.1-6	WASHER 6	10
5	PAGB/T5783-M6x14	BOLT M6x14	1
6	PAF4-00000001	HOLLOW PIN Ø9x6.5x10	2
7	PAGB/T5782-M6x40	M6x40	5
8	PAF4-02040002	RUBBER SEAL	1
9	PAF6-02000001L	WATER PIPE (L)	1
	PAF6-02000001S	WATER PIPE (S)	1
10	PAF4-02000011	SEAL, SHIFT ROD	1
11	PAF4-02000012	RUBBER PLUG, UPPER CASING	1
12	PAGB/T5782-M6x50	BOLT M6x50	4
13	PAG6-02000101	UPPER CASING	1
14	PAF4-02000002	COPPER BUSH, UPPER CASING	1
15	PAF6-02000100	UPPER CASING ASSY	1
16	PAT5-00000001	HOLLOW PIN Ø7.5	1
17	PAT5-00000002	HOLLOW PIN Ø9.5	1
18	PAGB/T893.1-22	CIRCLIP 22	1
19	PAT5-02010001	EXTENSION	1
20	PAT5-02010000	EXTENSION ASSY	1
21	PAT5-02010002	BUSHING, DRIVE SHAFT	1
22	PAF2.6-03020003L	RUBBER BUSHING	1
23	PAT5-02000008	ORIENTED PLATE, WATER PIPE	1
24	PAGB/T818-M5x10	SCREW M5x10	2

CAMBIO / CONTROL SYSTEM / CALANDRA



N°	Ref.	Description	Quantity
1	PAF6-02000005-1	COVER	1
2	PAF6-02000005	HANDLE, GEAR SHIFT	1
3	PAGB/T820-M5x20	SCREW M5x20	1
4	PAF6-02000200	SHAFT, CHANGE	1
5	PAJISB2401-P9	O-RING	2
6	PAGB/T308-8	BALL 8	1
7	PAF4-02000003	SPRING, GEAR	1
8	PAGB/T5783-M5x25	BOLT M5x25	1
9	PAGB/T97.1-5	WASHER 5	2
10	PAGB/T91-1.6x12	PIN COTTER 1.6x12	1
11	PAF4-02000006	LEVER, SHIFT ROD	1
12	PAF6-02000002	ROD, SHIFT	1
13	PAGB/T5783-M6x20	BOLT M6x20	1
14	PAF4-00000005	BIG WASHER	1
15	PAF2.6-00000001	CONNECTOR, SHIFT ROD "A"	1
16	PAF2.6-00000002	CONNECTOR, SHIFT ROD "B"	1

SOPORTE MOTOR / BRACKET / SUPPORTO MOTORE

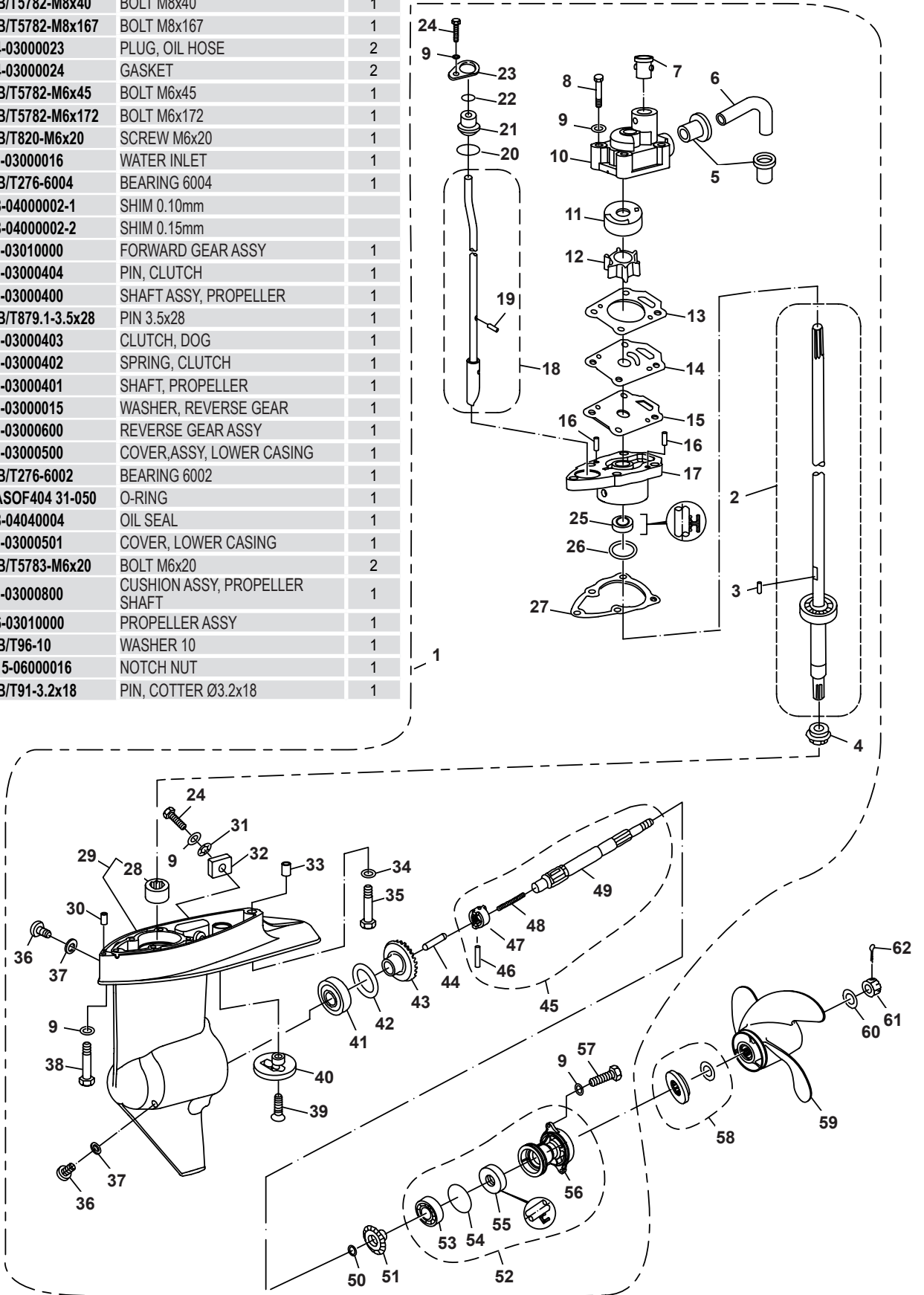


Nº	Ref.	Description	Quantity
1	PAT5-01010003	NYLON GASKET	2
2	PAF6-01010101	COVER, ROTARY BRACKET	1
3	PAGB/T97.1-6	WASHER 6	10
4	PAGB/T5783-M6x35	BOLT M6x35	6
5	PAF2.6-01050100	LOCKED HANDLE ASSY	1
6	PAF2.6-01050002	COMPRESS SPRING	1
7	PAGB/T96-6	BIG WASHER 6	3
8	PAJB/T9740.1-M6	OILER M6	2
9	PAT5-01010004	UPPER ABSORBER	1
10	PAF6-01010001	SEAT, ROTARY BRACKET	1
11	PAT5-01010100	LOCKED BLOCK ASSY	2
12	PAF4-01000003	NYLON WASHER	2
13	PAF4-01010000	CLAMP BRACKET ASSY (RIGHT)	1
14	PAGB/T5782-M8x140	BOLT M8x140	1
15	PAGB/T5782-M6x130	BOLT M6x130	1
16	PAF8-01010001	TUBE BOLT	1
17	PAT5-01010005	LOWER ABSORBER	1
18	PAGB/T5783-M6x12	BOLT M6x12	4
19	PAF4-01000007	WREST SPRING (RIGHT)	1
20	PAF4-01000006	WREST SPRING (LEFT)	1
21	PAT5-01010300	LOCKED HOOK ASSY, TILT	1
22	PAT5-01010002	WREST SPRING, BRACKET	1
23	PAT5-01010400	SUPPORT ASSY	1
24	PAF4-01030103	HANDLE SHEATH	1
25	PAF8-01010105	PRESS PLATE	1
26	PAF8-01010103	BUSHING, BRACKET	2
27	PAF4-01020000	CLAMP BRACKET ASSY (LEFT)	1
28	PAF4-01010004	CLAMP HANDLE, STERN	2
29	PAF4-01010005	RIVET, CLAMP HANDLE	2
30	PAF4-01010002	CLAMP SCREW	2
31	PAF4-01010003	CLAMP PAD	2
32	PAGB/T6170-M6	NUT M6	1
33	PAGB/T889.1-M8	LOCKING NUT M8	1
34	PAF4-01000002	PLATE, TWO HOLE	1
35	PAF8-01010200	THRUST ROD ASSY	1
36	PAF4-01050002	CONICAL SPRING	1

COLA INFERIOR / LOWER CASING / PARTE INFERIORE PIEDE

Nº	Ref.	Description	Quantity	Nº	Ref.	Description	Quantity
1	PAF6-03000000L	LOWER CASING ASSY (L)	1	16	PAF25-04000007	PIN Ø4x10	2
	PAF6-03000000S	LOWER CASING ASSY (S)	1	17	PAT5-03000201	WATER PUMP SEAT	1
2	PAF6-03000100 (L)	DRIVE SHAFT ASSY (L)	1	18	PAT5-03000100 (L)	CAM ASSY, SHIFT ROD (L)	1
	PAF6-03000100 (S)	DRIVE SHAFT ASSY (S)	1		PAT5-03000100 (S)	CAM ASSY, SHIFT ROD (S)	1
3	PAT5-03000009	DOWEL PIN, IMPELLER	1	19	PAGB/T879.2-1.5x12	PIN 1.5x12	1
4	PAT5-03000003	PINION	1	20	PAJISB2401 P16	O-RING 15.8x2.4	1
5	PAT5-03000013	SEAL A, WATER PIPE	2	21	PAT5-03000020	ORIENTED BUSHING, SHIFT ROD	1
6	PAT5-03000012	WATER PIPE B	1	22	PAT5-03000022	SEAL B, ORIENTED BUSHING	1
7	PAT5-03000014	SEAL B, WATER PIPE	1	23	PAT5-03000023	PLATE, ORIENTED BUSHING	1
8	PAGB/T5782-M6x45	BOLT M6x45	4	24	PAGB/T5783-M6x16	BOLT M6x16	2
9	PAGB/T97.1-6	WASHER 6	9	25	PAT5-03000202	OIL SEAL, WTAER PUMP SEAT	1
10	PAF6-03000001	WATER PUMP	1	26	PAT5-03000004-1	SHIM 0.10mm	
11	PAF6-03000002	INNER SHELL, WATER PUMP	1		PAT5-03000004-2	SHIM 0.15mm	
12	PAT5-03000300	IMPELLER, WATER PUMP	1	27	PAT5-03000005	GASKET, WATER PUMP SEAT	1
13	PAF6-03000003	UPPER GASKET, OUTER PLATE	1	28	PATLA1412Z	NEEDLE BEARING	1
14	PAT5-03000007	OUTER PLATE	1	29	PAT5-03000700	LOWER CASING ASSY	1
15	PAT5-03000006	LOWER GASKET, OUTER PLATE	1	30	PAT5-00000001	HOLLOW PIN Ø7.5x10	1

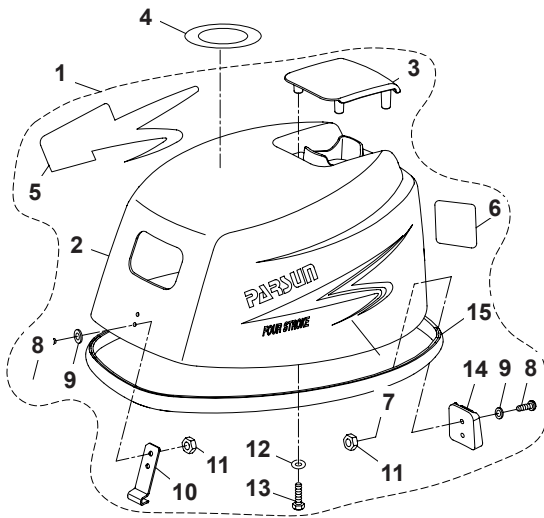
N°	Ref.	Description	Quanty
31	PAGB/T861.1-6	LOCK WASHER 6	1
32	PAT5-03000017	ANODE	1
33	PAT5-00000002	HOLLOW PIN Ø9.5x10	1
34	PAGB/T97.1-8	WASHER 8	1
35	PAGB/T5782-M8x40	BOLT M8x40	1
	PAGB/T5782-M8x167	BOLT M8x167	1
36	PAF4-03000023	PLUG, OIL HOSE	2
37	PAF4-03000024	GASKET	2
38	PAGB/T5782-M6x45	BOLT M6x45	1
	PAGB/T5782-M6x172	BOLT M6x172	1
39	PAGB/T820-M6x20	SCREW M6x20	1
40	PAT5-03000016	WATER INLET	1
41	PAGB/T276-6004	BEARING 6004	1
42	PAF8-04000002-1	SHIM 0.10mm	
	PAF8-04000002-2	SHIM 0.15mm	
43	PAT5-03010000	FORWARD GEAR ASSY	1
44	PAT5-03000404	PIN, CLUTCH	1
45	PAT5-03000400	SHAFT ASSY, PROPELLER	1
46	PAGB/T879.1-3.5x28	PIN 3.5x28	1
47	PAT5-03000403	CLUTCH, DOG	1
48	PAT5-03000402	SPRING, CLUTCH	1
49	PAT5-03000401	SHAFT, PROPELLER	1
50	PAT5-03000015	WASHER, REVERSE GEAR	1
51	PAT5-03000600	REVERSE GEAR ASSY	1
52	PAT5-03000500	COVER, ASSY, LOWER CASING	1
53	PAGB/T276-6002	BEARING 6002	1
54	PAJASOF404 31-050	O-RING	1
55	PAF8-04040004	OIL SEAL	1
56	PAT5-03000501	COVER, LOWER CASING	1
57	PAGB/T5783-M6x20	BOLT M6x20	2
58	PAT5-03000800	CUSHION ASSY, PROPELLER SHAFT	1
59	PAF6-03010000	PROPELLER ASSY	1
60	PAGB/T96-10	WASHER 10	1
61	PAF15-06000016	NOTCH NUT	1
62	PAGB/T91-3.2x18	PIN, COTTER Ø3.2x18	1





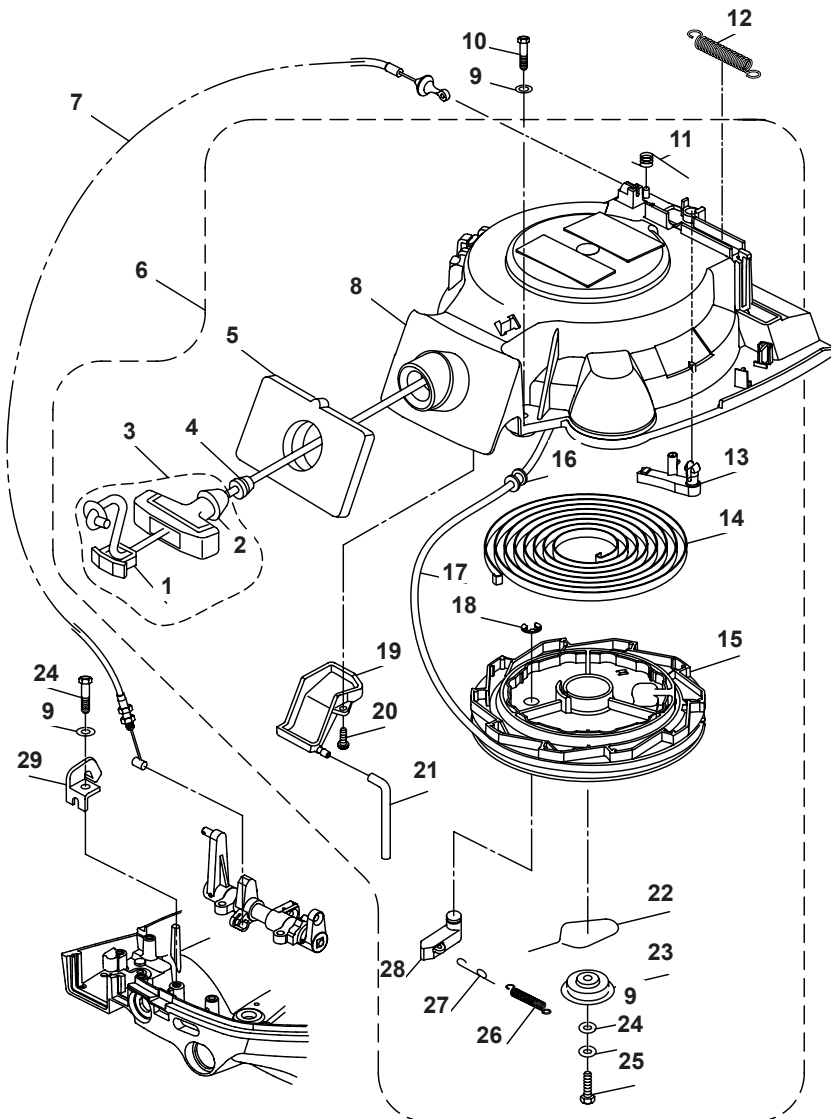
F20A / F15A

TAPA MOTOR / TOP COWLING ASSY / CALANDRA



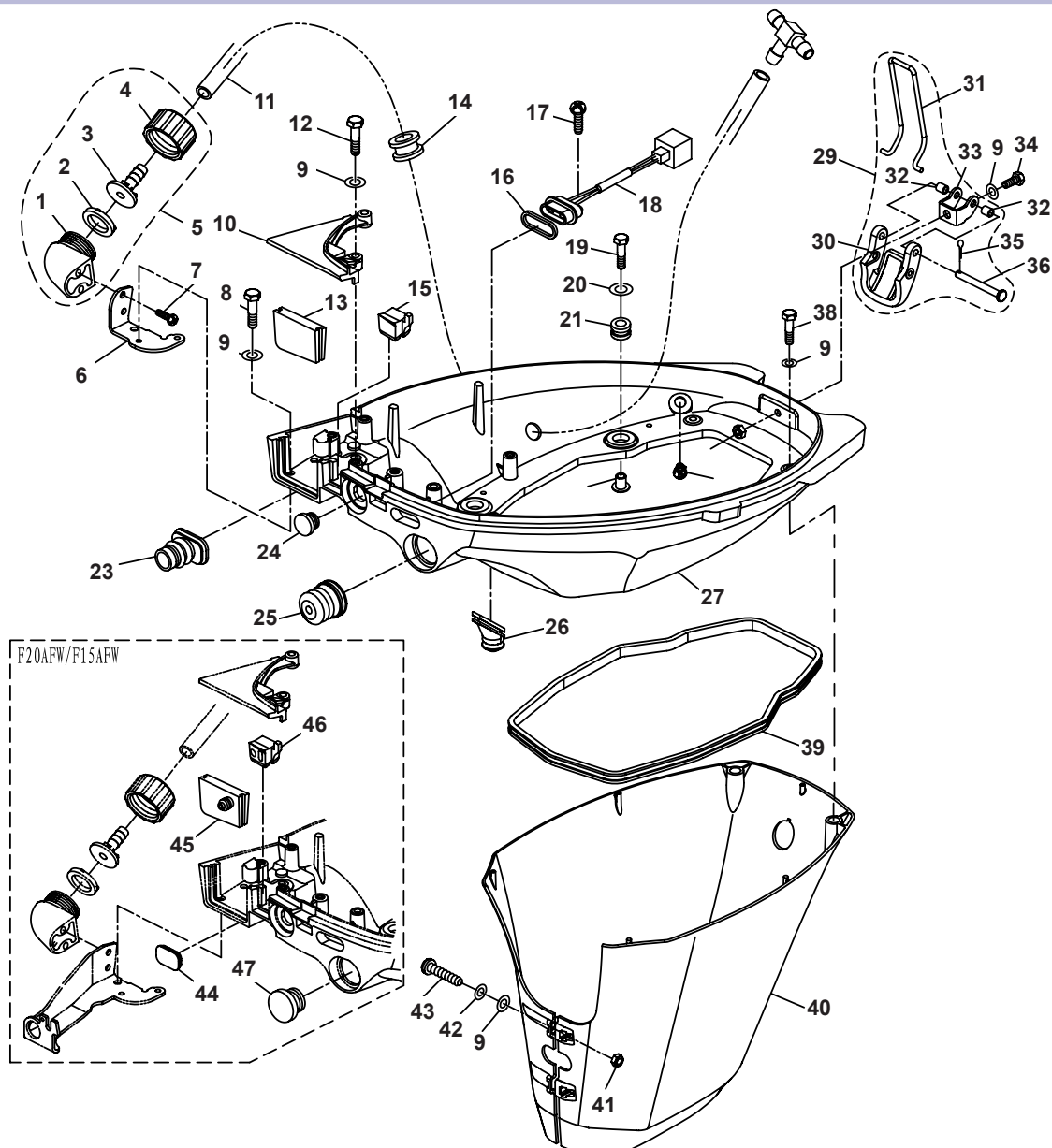
N°	Ref.	Description	Quantity
1	PAF20-06000000	TOP COWLING ASSY	1
2	PAF20-06000001	TOP COWLING	1
3	PAF20-06000003	COVER, TOP COWLING	1
4	PAF4-08000019	MARK 19	1
5	PAF15-12000002	MARK, RIGHT	1
6	PAF25-08000006	MARK, FRONT (F20)	1
	PAF15-12000003	MARK, FRONT (F15)	1
7	PAF15-12000001	MARK, LEFT	1
8	PAGB/T818-M5x16	SCREW M5x16	4
9	PAGB/T97.1-5	WASHER 5	4
10	PAF20-06000004	HOOK, FRONT	1
11	PAGB/T6170-M5	NUT M5	4
12	PAGB/T97.1-6	WASHER 6	4
13	PAGB/T5783-M6x20	BOLT M6x20	4
14	PAF20-06000005	LOCKING HOOK	1
15	PAF20-06000002	SEAL, RUBBER	1

ARRANQUE / STARTER ASSY / AVVIAMENTO

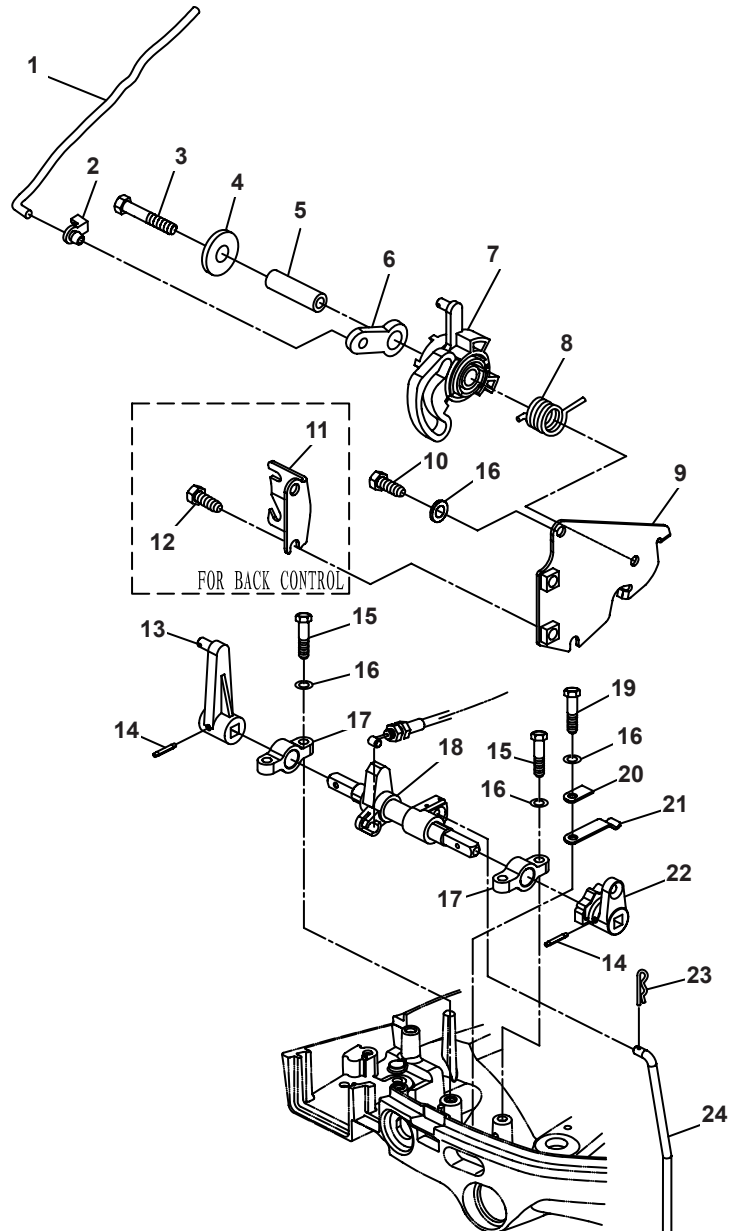
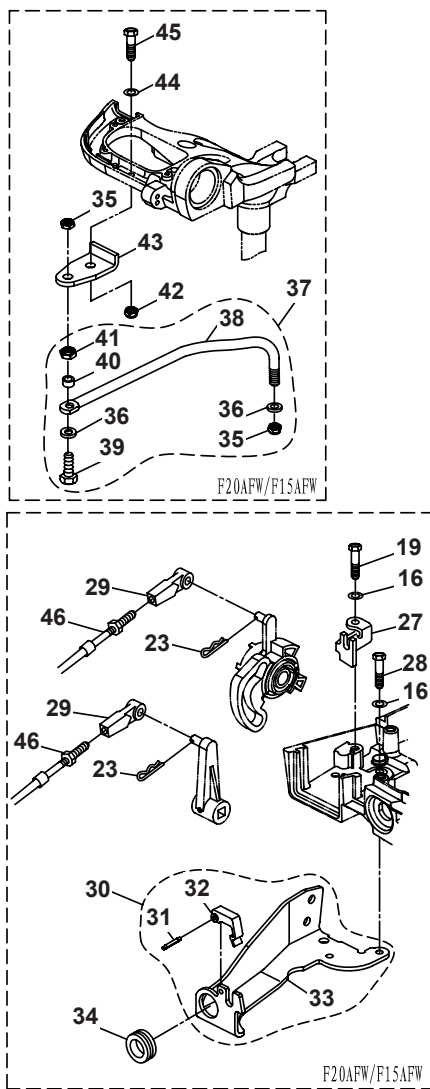


N°	Ref.	Description	Quantity
1	PAF4-04130102	COVER, STARTER HANDLE	1
2	PAF25-05160501	STARTER HANDLE	1
3	PAF25-05160500	STARTER HANDLE ASSY	1
4	PAF25-05160021	DAMPER, STARTER HANDLE	1
5	PAF20-05070003	SEAL	2
6	PAF20-05070000	STARTER ASSY	1
7	PAF20-05070200	TIGHTWIRE, DETENT	1
8	PAF20-05070101	CASING, STARTER	1
9	PAGB/T97.1-6	WASHER 6	5
10	PAGB/T5783-M6x25	BOLT M6x25	3
11	PAF15-07130106	SPRING, DETENT	1
12	PAF15-05000029	SPRING, DETENT TIGHTWIRE	1
13	PAF15-07130105	DETENT	1
14	PAF15-07130107	SPRING, VOLUTE	1
15	PAF15-07130201	WHELL, START-UP	1
16	PAF4-04130013	MEATUS, START ROPE	1
17	PAF15-07130205	ROPE, STARTER Ø5.5x1.8 m	1
18	PABG/T896-8	CIRCLIP 8	1
19	PAF20-05070001	COVER	1
20	PAGB/T845-ST4.2x16	SCREW ST4.2x16	2
21	PAF20-05070002	PIPE Ø5xØ10x200	1
22	PAF15-07130002	CLIP, PLATE	1
23	PAF20-05070004	PLATE, DRIVE	1
24	PAGB/T93-6	SPRING, WASHER 6	1
25	PAGB/T5783-M6x16	BOLT M6x16	2
26	PAF15-07130203	SPRING	1
27	PAF15-07130204	LINK ROD	1
28	PAF15-07130202	PAWL, DRIVE	1
29	PAF20-05000030	FIXATION PLATE	1

BANDEJA / BOTTOM COWLING / BASE CALANDRA



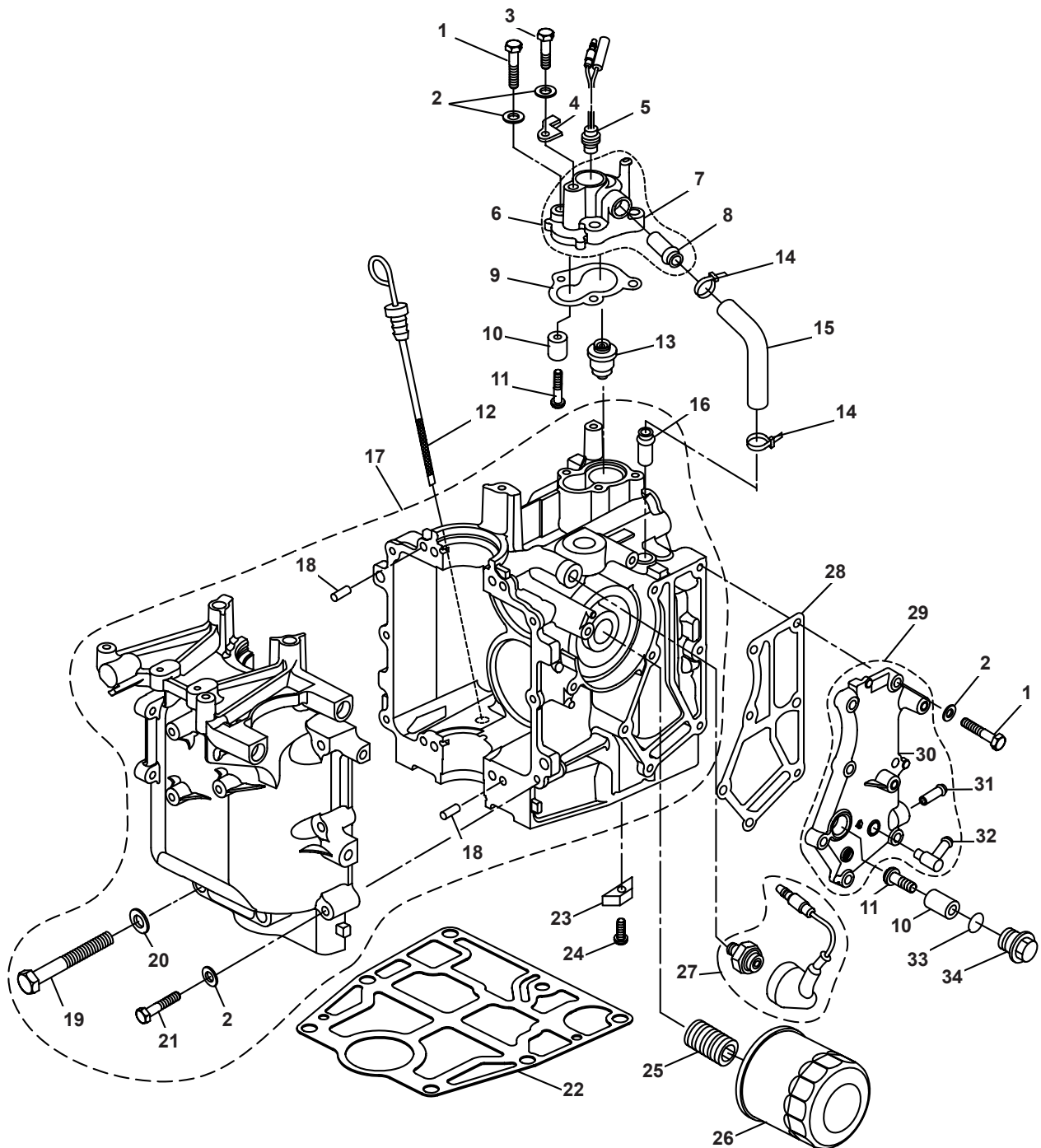
Nº	Ref.	Description	Quantity	Nº	Ref.	Description	Quantity
1	PAF25-03000101W	BODY JAM	1	26	PAF20-03000008	JACKET, GEAR SHIFT LINK ROD	1
2	PAF25-03000102W	SEAL, RUBBER	1	27	PAF20-03000001	BOTTOM COWLING	1
3	PAF25-03000103W	LINK, JAM	1	28	PAF15-05000009	WATER NIPPLE, PLASTIC	1
4	PAF25-03000104W	NUT, JAM	1	29	PAF20-03020000	LOCKING HOOK ASSY, TOP COWLING	1
5	PAF25-03000100W	JAM, ASSY	1	30	PAF20-03020002	BODY, LOCKING HOOK	1
6	PAF20-03000010	SUPPORT PLATE, JAM	1	31	PAF20-03020004	STEEL WIRE, LOCKING HOOK	1
7	PAGB/T84.5-ST5.5x19	SCREW ST5.5x19	2	32	PAF20-03020005	BUSH, LOCKING HOOK	2
8	PAGB/T5783-M6x8	BOLT M6x8	2	33	PAF20-03020001	SEAT, LOCKING HOOK	1
9	PAGB/T97.1-6	WASHER 6	9	34	PAGB/T5783-M6x12	BOLT M6x12	1
10	PAF20-03000007	COVER, COWLING	1	35	PAGB/T91-Ø1.6x12	COTTER PIN Ø1.6x12	1
11	PAF20-03000011	PIPE Ø6xØ11x680	1	36	PAF20-03020003	SHAFT, LOCKING HOOK	1
12	PAGB/T5783-M6x30	BOLT M6x30	2	37	PAGB/T889.1-M6	LOCKING NUT M6	1
13	PAF20-03000005	SEAL, SQUARE	1	38	PAGB/T5783-M6x20	BOLT M6x20	2
14	PAF20-03000004	SEAL, RUBBER	1	39	PAF20-03000002	SEAL	1
15	PAF20-03000006	RUBBER PLUG	1	40	PAF20-00000011	COVER, UPPER CASING	1
16	PAF20-03000101	SEAL	1	41	PAGB/T6170-M6	NUT M6	2
17	PAGB/T818-M6x16	SCREW M6x16	1	42	PAGB/T93-6	SPRING WASHER 6	2
18	PAF20-03000100	PILOT LIGHT ASSY	1	43	PAGB/T818-M6x30	SCREW M6x30	2
19	PAGB/T5783-M6x30	BOLT M6x30	4	44	PAF20-03000007W	RUBBER PLUG, SQUARE	1
20	PAF25-00000004	WASHER	4	45	PAF20-03000005W	RUBBER SEAL, SQUARE	1
21	PAF25-03000006	DAMPER	4	46	PAF20-03000006W	RUBBER PLUG	1
22	PAF25-03000007	BUSH, DAMPER	4	47	PAF25-03000024W	JAM "B"	1
23	PAF20-03000003	JACKET	1				
24	PAF2.6-05000004	SEAL	1				
25	PAF15-05000016	JACKET, RUBBER	1				



N°	Ref.	Description	Qty
1	PAF25-05000008	LINK ROD	1
2	PAF15-07000016	LINK	1
3	PAGB/T5782-M6x55	BOLT M6x55	1
4	PAGB/T96-6	BIG WASHER 6	1
5	PAF15-07000012	BUSH	1
6	PAF15-07000014	PULLEY, PASSIVITY	1
7	PAF20-05060001	PULLEY, DRIVE	1
8	PAF20-05060002	SPRING	1
9	PAF20-05060101	FIXATION PLATE, ACCELEROGRAPH	1
10	PAGB/T5783-M6x14	BOLT M6x14	2
11	PAF20-05060102	FIXATION PLATE, THROTTLE CABLE	1
12	PAGB/T5783-M6x10	BOLT M6x10	2
13	PAF20-03010001	ROCKER ARM, GEAR SHIFT	1
14	PAGB/T879.1-Ø3x20	PIN Ø3x20	2
15	PAGB/T5783-M6x25	BOLT M6x25	4
16	PAGB/T97.1-6	WASHER 6	10
17	PAF15-05040002	SEAT, GEAR SHIFT ROD	2
18	PAF20-03010100	GEAR SHIFT ASSY	1
19	PAGB/T5783-M6x20	BOLT M6x20	1
20	PAF15-05000031	PLATE, SPRING	1
21	PAF15-05000032	PRESSING PLATE	1
22	PAF20-03010200	ARM, SHIFT ROD	1
23	PAF15-00000012	CLIP Ø1.8	3
24	PAF20-03000009L	SHIFT ROD (L)	1
	PAF20-03000009S	SHIFT ROD (S)	

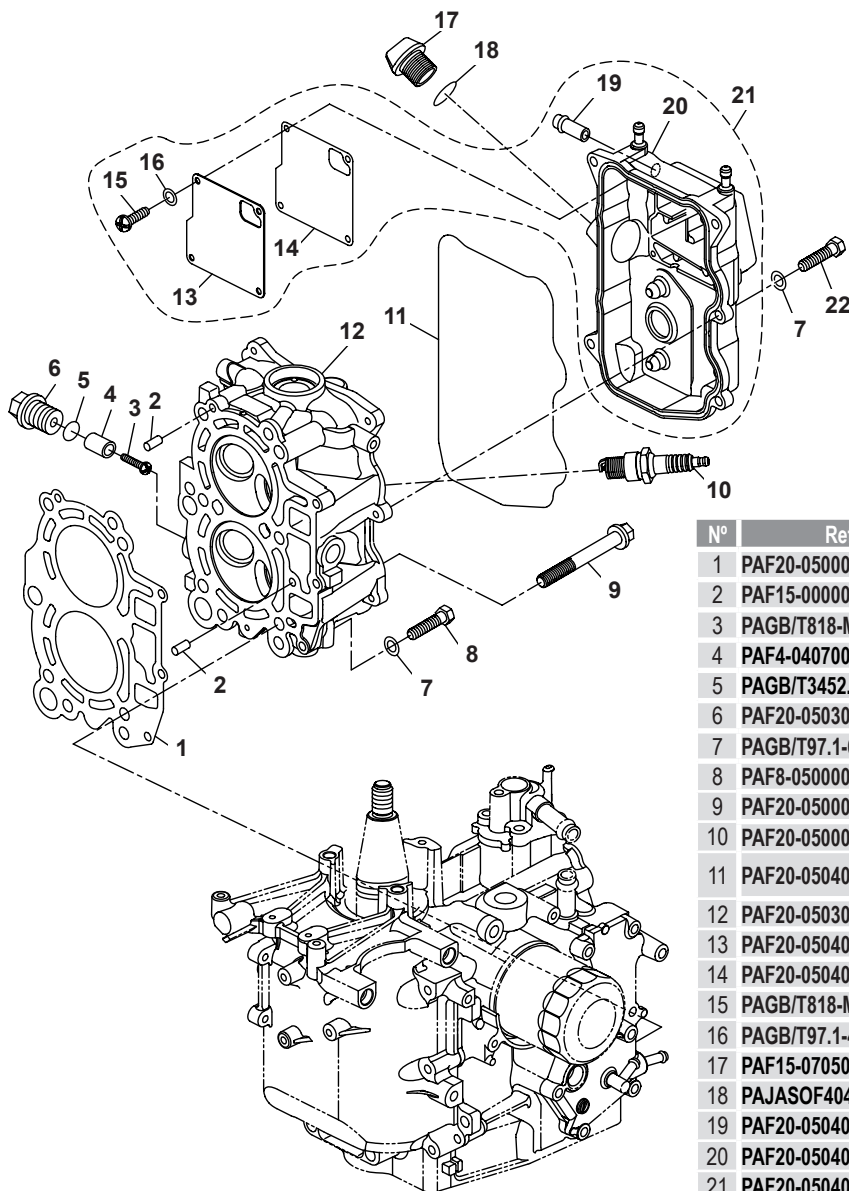
N°	Ref.	Description	Qty
25	PAF15-05000035	COLUMNAR NUT	1
26	PAGB/T6170-M6	NUT M6	1
27	PAF20-03000012W	FIXATION PLATE "A"	1
28	PAGB/T5783-M6x16	BOLT M6x16	2
29	PAF25-07000005W	LINK "A"	2
30	PAF20-030000200W	FIXATION PLATE "B" ASSY	1
31	PAGB/T879.1-Ø3x12	PIN Ø3x12	1
32	PAF20-030000202W	CLAMP	1
33	PAF20-030000201W	FIXATION PLATE "B"	1
34	PAF20-030000203W	RING, RUBBER	1
35	PAF25-07000006W	LOCKING NUT 3/8"	2
36	PAGB/T97.1-10	WASHER 10	2
37	PAF20-07000100W	STEERING ROD ASSY	1
38	PAF20-07000101W	STEERING ROD	1
39	PAF15-11020002W	BOLT	1
40	PAF25-07000303W	BUSH	1
41	PAF25-07000304W	NUT 3/8"	1
42	PAGB/T889.1-M8	NUT M8	1
43	PAF20-07000102W	LINK PLATE	1
44	PAGB/T97.1-8	WASHER 8	1
45	PAGB/T5783-M8x25	BOLT M8x25	1
46	PAF25-07000200W	CONTROL CABLE ASSY	2

BLOQUE / CRANKCASE / BLOCCO



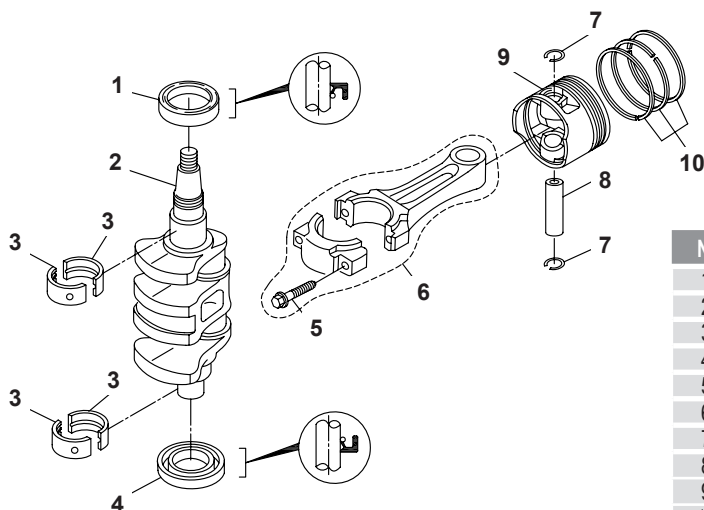
N°	Ref.	Description	Qty	N°	Ref.	Description	Qty
1	PAGB/T5783-M6x25	BOLT M6x25	10	18	PAF15-0000006	PIN Ø6x12	4
2	PAGB/T97.1-6	WASHER 6	17	19	PAT20-06000028	BOLT M8x65	4
3	PAGB/T5783-M6x14	BOLT M6x14	1	20	PAGB/T97.1-8	WASHER 8	4
4	PAF20-05000015	PRESSING PLATE	1	21	PAF20-05010007	BOLT M6x40	6
5	PAT40-05000100	THERMO SWITCH ASSY	1	22	PAF20-00000010	GASKET, CRANKCASE	1
6	PAF20-05000700	THERMOSTAT COVER ASSY	1	23	PAF15-07010026	ANODE	1
7	PAF20-05000701	COVER, THERMOSTAT	1	24	PAGB/T820-M4x12	SCREW M4x12	1
8	PAF20-05040005	GAS, NIPPLE	1	25	PAF15-07010003	BOLT, UNION	1
9	PAF20-05000702	GASKET, THERMOSTAT COVER	1	26	PAF15-07010023	OIL CLEANER	1
10	PAF4-04070003	ANODE	2	27	PAF15-07010100	OIL PRESSURE SWITCH ASSY	1
11	PAGB/T818-M5x25	SCREW M5x25	2	28	PAF20-05000602	GASKET COVER	1
12	PAF20-00000100	PLUG, OIL LEVEL	1	29	PAF20-05000600	EXHAUST OUTER COVER ASSY	1
13	PAT15-04000010	THERMOSTAT	1	30	PAF20-05000601	OUTER COVER, EXHAUST	1
14	PAHT2.5x50	CLAMP	2	31	PAF4-04010102	NIPPLE	1
15	PAF20-05000016	PIPE	1	32	PAF15-04000005	NIPPLE, HOSE	1
16	PAF20-05010002	NIPPLE	1	33	PAGB/T3452.1-Ø13xØ2	O-RING Ø13xØ2	1
17	PAF20-05010000	CRANKCASE ASSY	1	34	PAF20-05030009	BOLT, ANODE	1

CULATA / CYLINDER HEAD / TESTATA



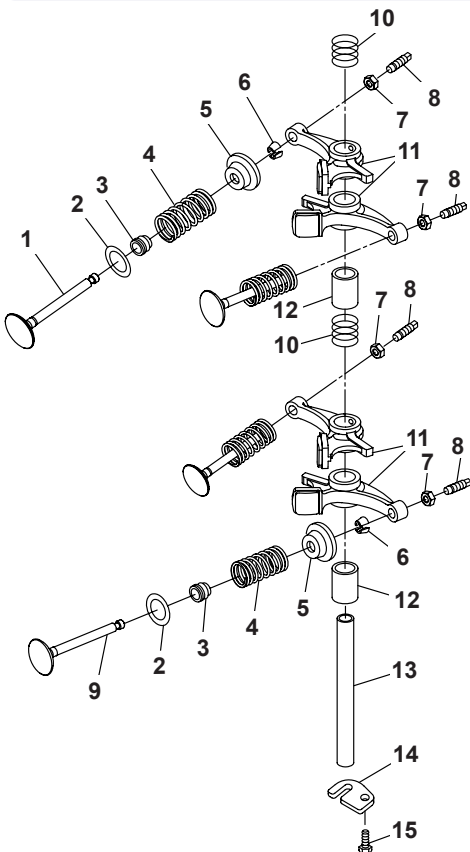
N°	Ref.	Description	Quantity
1	PAF20-05000001	GASKET, CYLINDER HEAD	1
2	PAF15-00000006	PIN 6x12	2
3	PAGB/T818-M5x25	SCREW M5x25	1
4	PAF4-04070003	ANODE	1
5	PAGB/T3452.1-Ø13xØ2	O-RING Ø13xØ2	1
6	PAF20-05030009	BOLT, ANODE	1
7	PAGB/T97.1-6	WASHER 6	8
8	PAF8-05000022	BOLT M6x25	3
9	PAF20-05000002	BOLT, FLANGE	6
10	PAF20-05000037	SPARK PLUG	2
11	PAF20-05040002	SEAL RING, CYLINDER HEAD COVER	1
12	PAF20-05030100	CYLINDER HEAD ASSY	1
13	PAF20-05040003	COVER, BREATHER	1
14	PAF20-05040004	GASKET, BREATHER COVER	1
15	PAGB/T818-M4x10	SCREW M4x10	4
16	PAGB/T97.1-4	WASHER 4	4
17	PAF15-07050004	PLUG	1
18	PAJASOF40431-025	O-RING	1
19	PAF20-05040005	GAS, NIPPLE	1
20	PAF20-05040001	COVER, CYLINDER HEAD	1
21	PAF20-05040000	CYLINDER HEAD COVER ASSY	1
22	PAGB/T5783-M6x20	BOLT M6x20	5

CIGÜEÑAL Y PISTONES / CRANKSHAFT & PISTON ALBERO MOTORE E PISTONE



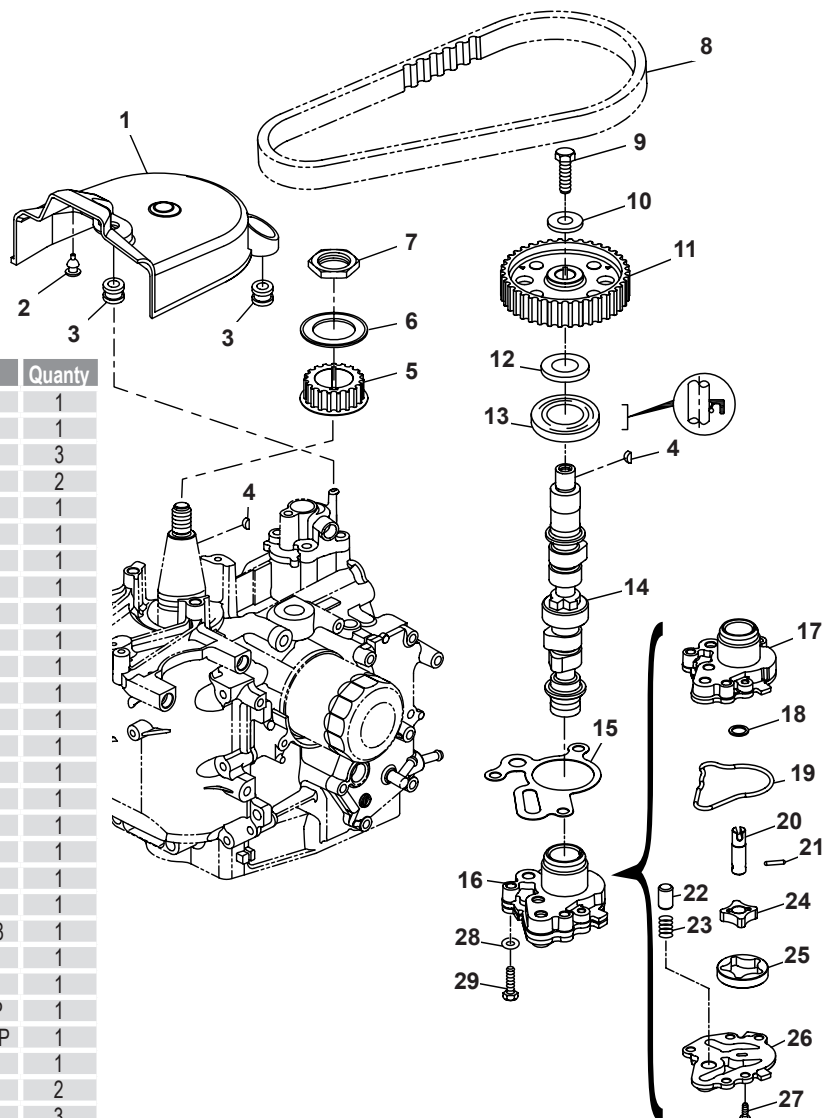
N°	Ref.	Description	Quantity
1	PAF25-05050021	OIL SEAL 37x50x7	1
2	PAF20-05020004	CRANKSHAFT	1
3	PAF20-05010003	PLANE BEARING	4
4	PAF15-07030006	OIL SEAL A25x44x6.5	1
5	PAF20-05020203	BOLT, CONNECTING ROD	4
6	PAF20-05020200	CONNECTING ROD ASSY	2
7	PAF20-05020002	CIRCLIP	4
8	PAF20-05020003	PIN, PISTON	2
9	PAF20-05020001	PISTON	2
10	PAF20-05020100	PISTON RING ASSY	2

VÁLVULA / VALVE / VALVOLA



Nº	Ref.	Description	Quantity
1	PAF20-05030001	VALVE, INTAKE	2
2	PAF20-05030003	SEAT, VALVE SPRING	4
3	PA166F-010003	SEAL, VALVE STEM	4
4	PAF20-05030004	SPRING, VALVE INNER	4
5	PAF15-07040006	RETAINER, VALVE SPRING	4
6	PAF15-07040007	COTTER, VALVE	8
7	PAF15-07040304	NUT, LOCK	4
8	PAF15-07040303	SCREW, VALVE ADJUSTING	4
9	PAF20-05030002	VALVE, EXHAUST	2
10	PAF20-05030007	SPRING, COMPRESSION	2
11	PAF20-05030301	ARM, VALVE ROCKER	4
12	PAF20-05030006	COLLAR	2
13	PAF15-07040015	SHAFT, ROCKER	1
14	PAF20-05030008	PLATE	1
15	PAGB/T5783-M6x12	BOLT M6x12	1

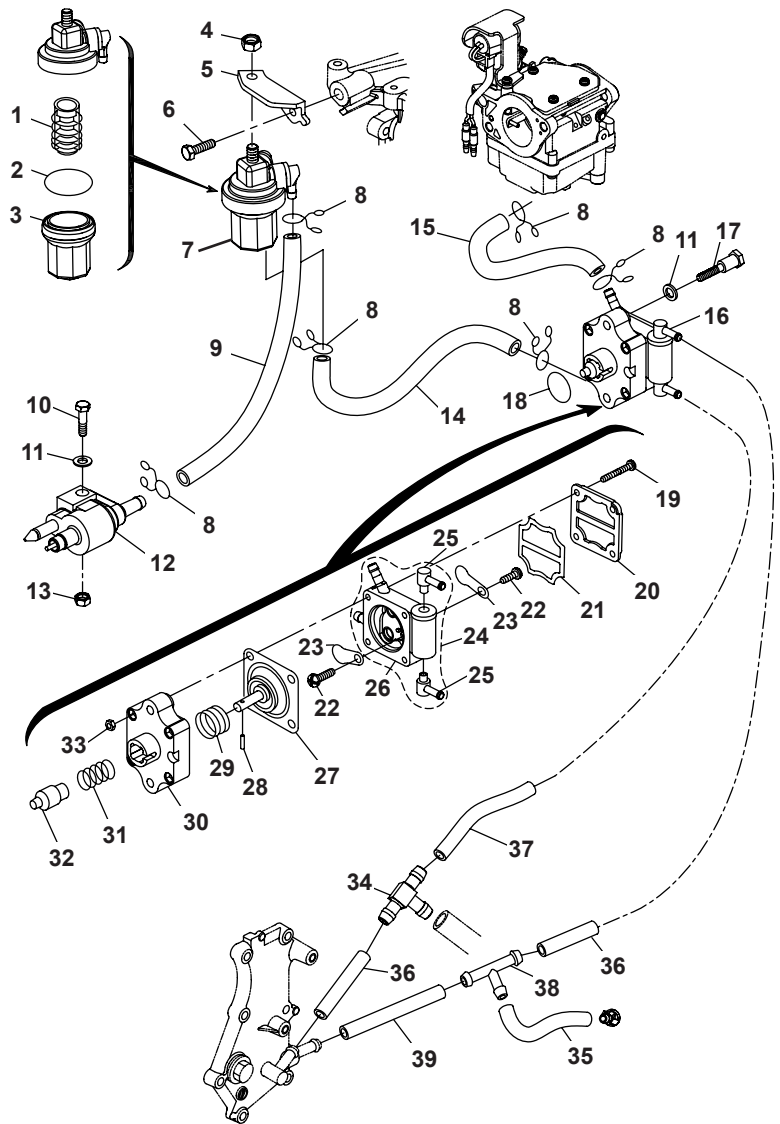
DISTRIBUCIÓN / CAMSHAFT / DISTRIBUZIONE



Nº	Ref.	Description	Quantity
1	PAF20-05000033	COVER, BELT	1
2	PAF20-05000036	PLUG	1
3	PAF20-05000034	DAMPER, BELT COVER	3
4	PAGB/T1099-3x5x13	KEY	2
5	PAF20-05000027	BELT PULLEY, TIMING	1
6	PAF20-05000028	COVER	1
7	PAF20-05000029	NUT	1
8	PAF20-05000003	BELT, TIMING	1
9	PAGB/T5783-M8x25	BOLT M8x25	1
10	PAF20-05030013	WASHER	1
11	PAF20-05030012	BELT PULLEY, DRIVEN	1
12	PAF20-05030011	WASHER LOW	1
13	PAF20-05030005	OIL SEAL	1
14	PAF20-05030200	CAMSHAFT ASSY	1
15	PAF20-05030010	MAT, OIL PUMP	1
16	PAF20-05030400	OIL PUMP ASSY	1
17	PAF20-05030401	BODY, OIL PUMP	1
18	PAF20-05030403	WASHER	1
19	PAF20-05030408	SEAL RING	1
20	PAF20-05030402	SHAFT, OIL PUMP	1
21	PAGB/T3069-Ø3x16.8	ROLLER NEEDLE Ø3x16.8	1
22	PAF15-07110003	PLUG	1
23	PAF20-05030407	SPRING	1
24	PAF20-05030404	INNER ROTOR, OIL PUMP	1
25	PAF20-05030405	OUTER ROTOR, OIL PUMP	1
26	PAF20-05030406	COVER, OIL PUMP	1
27	PAGB/T823-M6x16	SCREW M6x16	2
28	PAGB/T97.1-6	WASHER 6	3
29	PAGB/T5783-M6x35	BOLT M6x35	3

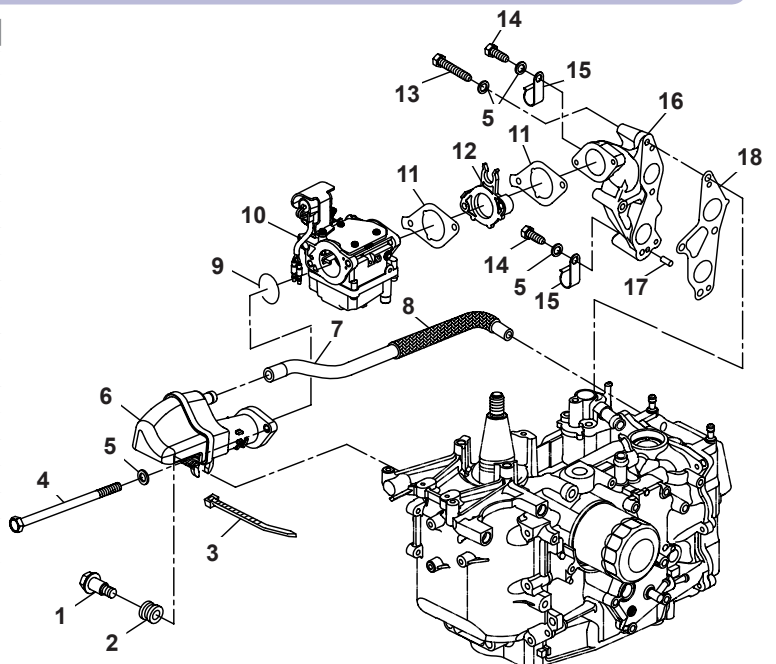
BOMBA COMBUSTIBLE / FUEL SYSTEM / POMPA BENZINA

N°	Ref.	Description	Quantity
1	PAF15-07080001	ELEMENT, FILTER	1
2	PAGB/T3452.1-Ø33x2	O-RING Ø33x2	1
3	PAF15-07080002	FILTER CUP	1
4	PAGB/T6170-M8	NUT M8	1
5	PAF20-05000020	FIXED PLATE	1
6	PAGB/T5783-M8x16	BOLT M8x16	1
7	PAF15-07080000	FILTER ASSY	1
8	PAF4-04000030	CLIP "B", FUEL PIPE	6
9	PAF20-05000013	FUEL PIPE Ø5xØ10x130	1
10	PAGB/T5783-M6x20	BOLT M6x20	1
11	PAGB/T97.1-6	WASHER 6	3
12	PAF4-05000200	FUEL PIPE TIE-IN ASSY	1
13	PAGB/T6170-M6	NUT M6	1
14	PAF20-05000021	FUEL PIPE "B" Ø5xØ10x530	1
15	PAF20-05000035	FUEL PIPE "C" Ø5xØ10x270	1
16	PAF20-05050000	FUEL, PUMP ASSY	1
17	PAF20-05000022	BOLT, FUEL PUMP	2
18	PAGB/T3452.1-Ø20.2x2x2.4	O-RING Ø20.2x2.4	1
19	PAGB/T818-M4x32	SCREW M4x32	4
20	PAF4-04090003	COVER FUEL PUMP	1
21	PAF4-04090004	GASKET	1
22	PAF4-04090011	SCREW M3x6	2
23	PAF4-04090005	UNILATERAL, PLATE	2
24	PAF20-05050100	COVER ASSY, FUEL PUMP	1
25	PAF15-04000005	NIPPLE	2
26	PAF20-05050101	COVER, FUEL PUMP	1
27	PAF15-07140100	DIAPHRAGM ASSY	1
28	PAGB/T309-Ø3x12	ROLLER NEEDLE Ø3x12	1
29	PAF15-07140005	SPRING, DIAPHRAGM	1
30	PAF15-07140001	SEAT, FUEL PUMP	1
31	PAF15-07140004	SPRING, PLUNGER	1
32	PAF15-07140003	PLUNGER	1
33	PAGB/T6170-M4	NUT M4	4
34	PAF20-05000026	JOINT 3	1
35	PAF20-05000025	PIPE C Ø5xØ10x250	1
36	PAF20-05000024	PIPE B Ø5xØ10x120	2
37	PAF20-05000023	PIPE A Ø5xØ10x85	1
38	PAF15-05000011	JOINT 3	1
39	PAF20-05000042	PIPE D Ø5xØ10x55	1

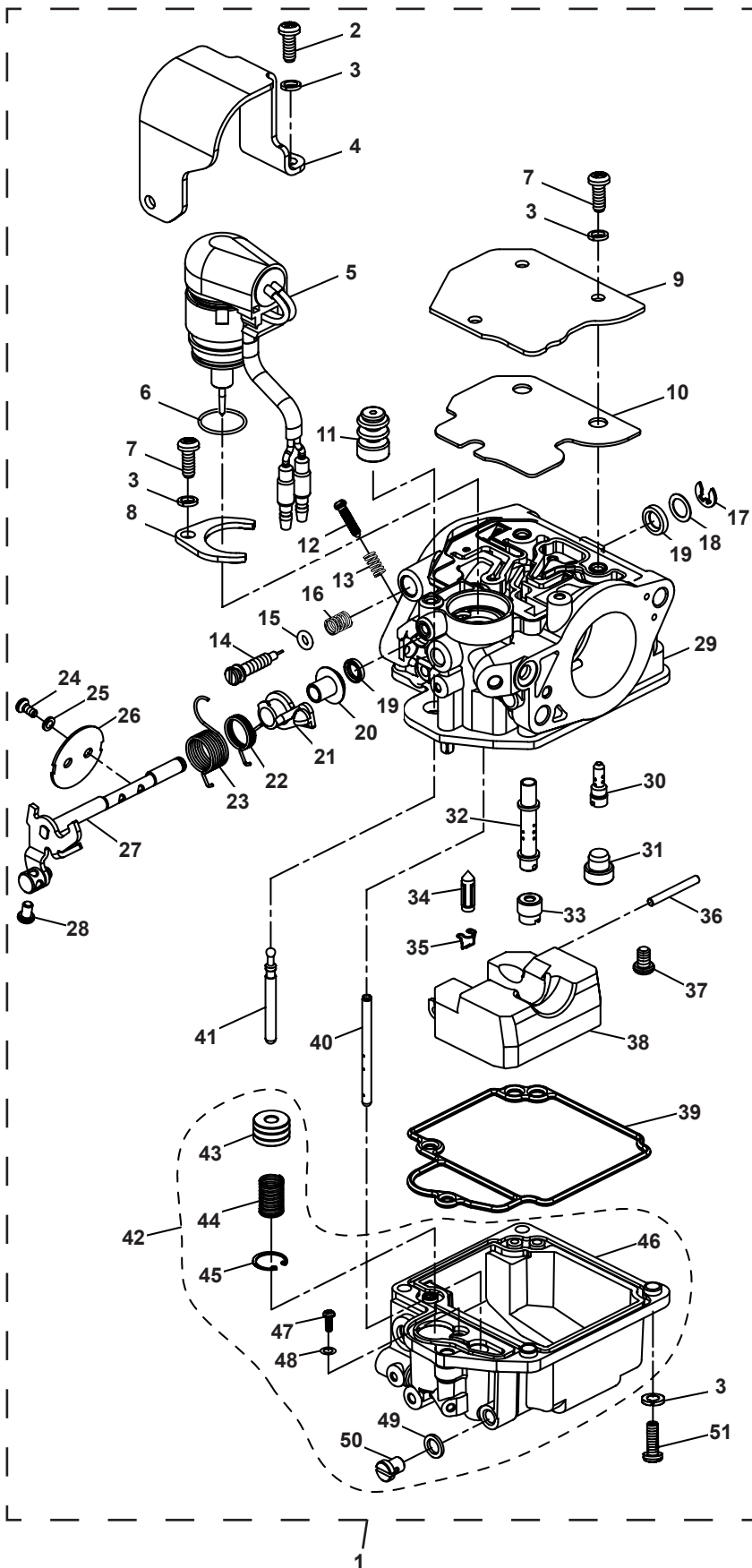


ADMISIÓN / INTAKE / ASPIRAZIONE

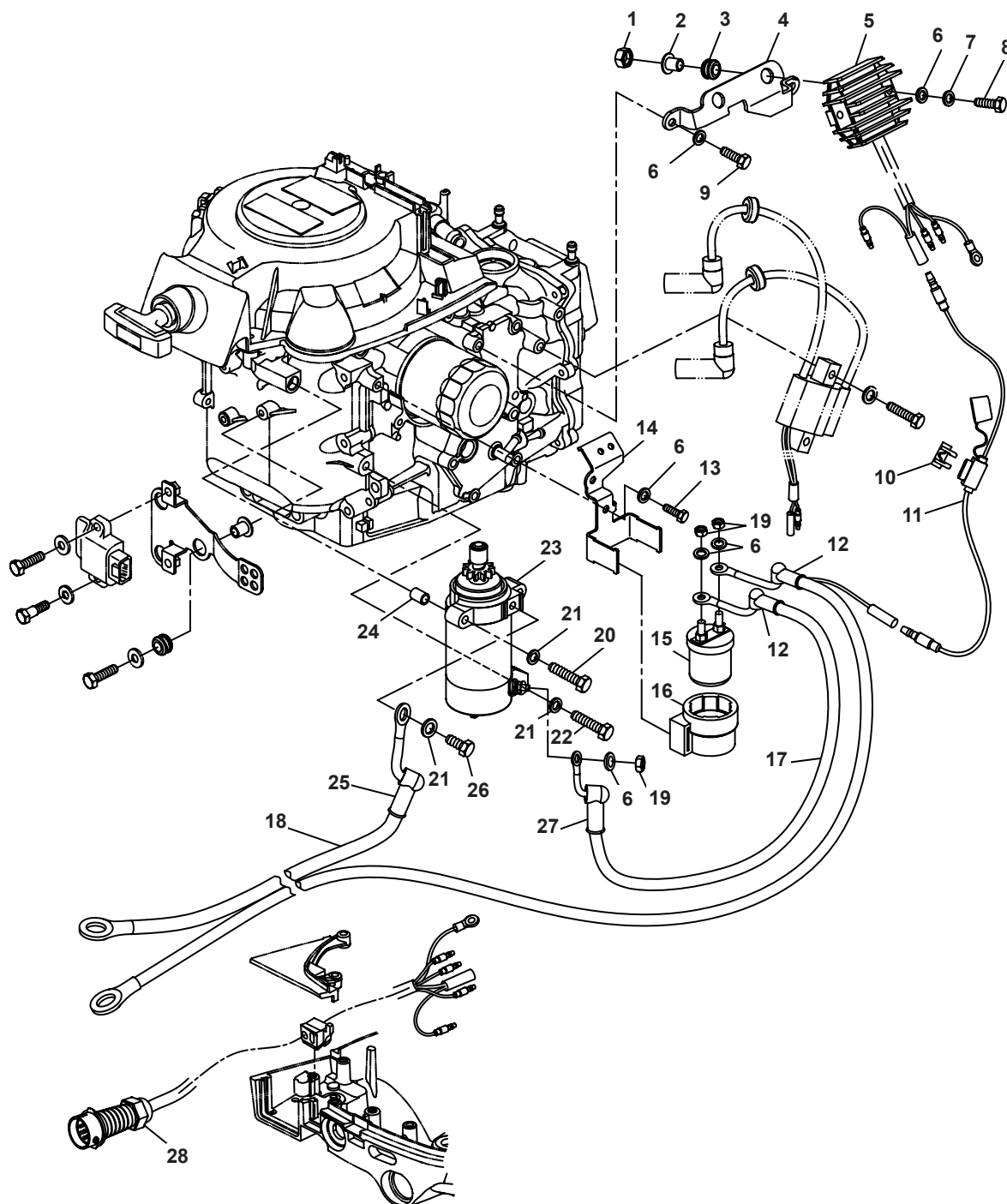
N°	Ref.	Description	Quantity
1	PAF20-05000012	BOLT, INTAKE SILENCER	1
2	PAF20-05000011	DAMPER, INTAKE SILENCER	1
3	PAHT4.2x200	CABLE TIES 4, 2x200	1
4	PAGB/T5782-M6x100	BOLT M6x100	2
5	PAGB/T97.1-6	WASHER 6	8
6	PAF20-05000800	INTAKE SILENCER ASSY	1
7	PAF20-05000031	PIPE, RUBER	1
8	PAF20-05000032	JACKET, PIPE	1
9	PAGB/T3452.1-Ø35xØ2	O-RING Ø35xØ2	1
10	PAF20-05080000	CARBURETOR ASSY	1
11	PAF20-05000008	GASKET, CARBURETOR	2
12	PAF20-05000009	GASKET	1
13	PAGB/T5783-M6x55	BOLT M6x55	4
14	PAGB/T5783-M6x12	BOLT M6x12	2
15	PAT36-04000023	CLAMP	2
16	PAF20-05000007	MANIFOLD, INTAKE	1
17	PAF25-05050016	PIN	2
18	PAF20-05000006	GASKET, INTAKE MANIFOLD	1



CARBURADOR / CARBURETOR ASSY / CARBURATORE

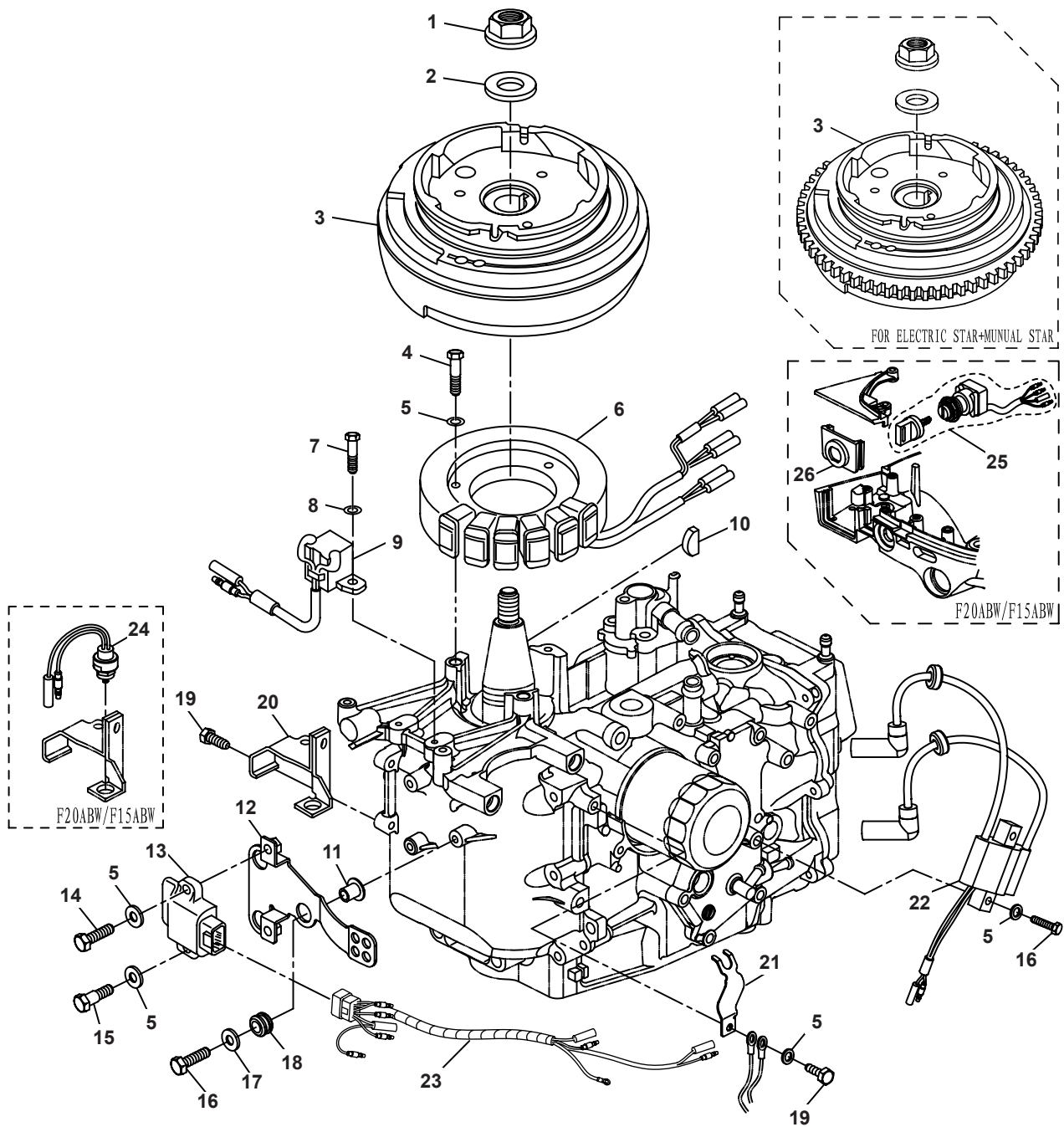


Nº	Ref.	Description	Quanty
1	PAF20-05080000	CARBURETOR ASSY	1
2	PAGB/T818-M4x12	SCREW M4x12	2
3	PAGB/93-4	SPRING WASHER	10
4	PAF20-05080026	COVER	1
5	PAF20-05080200	VALVE ASSY, ELECTRICAL	1
6	PAF20-05080201	O-RING	1
7	PAFBG/T818-M4x10	SCREW M4x10	4
8	PAF20-05080016	PLATE, VALVE	1
9	PAF20-05080003	PLATE	1
10	PAF20-05080002	GASKET	1
11	PAF20-05080004	COVER, RUBBER	1
12	PAF20-05080011	SCREW TOP	1
13	PAF20-05080012	SPRING	1
14	PAF20-05080013	SCREW, AIR ADJUST	1
15	PAF20-05080014	O-RING	1
16	PAF20-05080015	SPRING	1
17	PAGB/T896-4	CIRCLIP 4	1
18	PAF20-05080027	WASHER	1
19	PAF20-05080006	GASKET	2
20	PAF20-05080008	BUSH	1
21	PAF20-05080009	SWING LINK, VALVE	1
22	PAF20-05080010	TWIST SPRING	1
23	PAF20-05080005	TWIST SPRING	1
24	PAGB/T818-M3x6	SCREW M3x6	2
25	PAGB/T93-3	SPRING WASHER 3	2
26	PAF20-05080007	APRON, ACCELERATOR SWING LING, ACCELERATOR	1
27	PAF20-05080100	SWING LING, ACCELERATOR	1
28	PAGB/T818-M4x6	SCREW M4x6	1
29	PAF20-05080001	CARBURETOR	1
30	PAF20-05080022	JET, AIR SLOW	1
31	PAF20-05080023	CAP, RUBBER	1
32	PAF20-05080020	JER, MAIN	1
33	PAF20-05080021	NOZZLE MAIN	1
34	PAF20-05080017	NEEDLE VALVE	1
35	PAF20-05080025	CLIP, NEEDLE VALVE	1
36	PAF20-05080019	PIN, FLOAT	1
37	PAGB/T818-M3x8	SCREW M3x8	1
38	PAF20-05080018	FLOAT	1
39	PAF20-05080024	GASKET, FLOAT CHAMBER	1
40	PAF20-05080028	JET	1
41	PAF20-05080004	ROD	1
42	PAF20-05080300	FLOAT CHAMBER ASSY	1
43	PAF20-05080302	PLUNGER	1
44	PAF20-05080301	SPRING, PLUNGER	1
45	PAGB/T893.1-8	CLIP 8	1
46	PAF20-05080305	FLOAT CHAMBER	1
47	PAGB/T818-M2x4	SCREW M2x4	1
48	PAGB/T96-2	BIG WASHER 2	1
49	PAF20-05080304	WASHER	1
50	PAF20-05080303	SCREW, OIL OUTLET	1
51	PAGB/T818-M4x16	SCREW M4x16	4

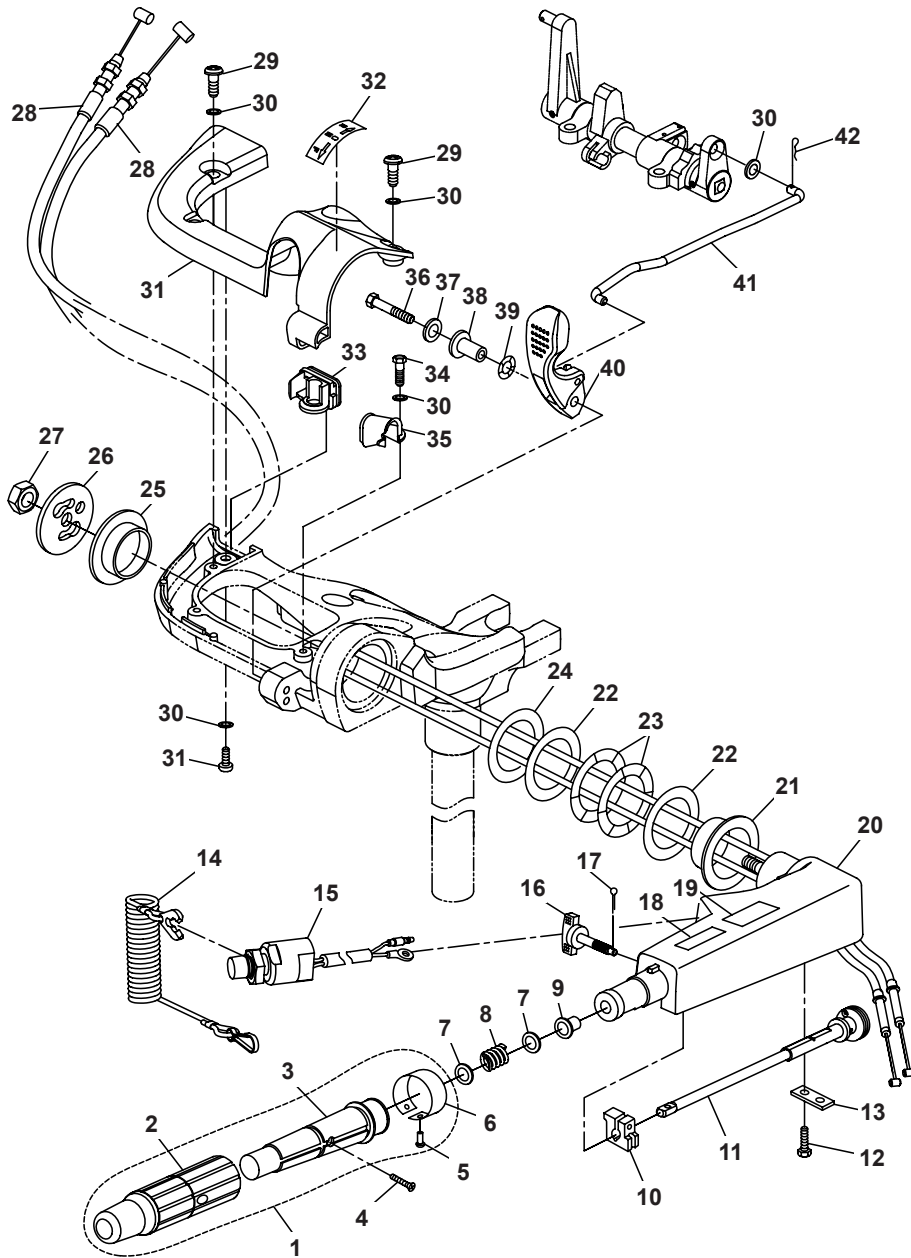


Nº	Ref.	Description	Quantity	Nº	Ref.	Description	Quantity
1	PAGB/T6170-M6	NUT M6	2	15	PAF15-07150300W	RELAY, MOTOR	1
2	PAF20-05000903W	BUSH	2	16	PAF25-05170301W	RELAY, JACKET	1
3	PAF20-05000902W	DAMPER, BUSH	2	17	PAF25-05170400W	CONNECTION LINE, MOTOR	1
4	PAF20-05000901W	PLATE, RECTIFIER	1	18	PAF15-07150200W	CONNECTION LINE, POWER	2
5	PAT85-05030300	RECTIFIER ASSY	1	19	PAGB/T6170-M6	NUT (COPPER)	3
6	PAGB/T97.1-6	WASHER 6	7	20	PAGB/T5782-M8x45	BOLT M8x45	2
7	PAGB/T93-6	SPRING, WASHER 6	2	21	PAGB/T97.1-8	WASHER 8	4
8	PAGB/T5783-M6x30	BOLT M6x30	2	22	PAGB/T5782-M8x35	BOLT M8x35	1
9	PAGB/T5783-M6x16	BOLT M6x16	2	23	PAF20-05000900W	STARTING MOTOR	1
10	PAF15-07150001W	FUSE WIRE (20A)	1	24	PAF20-05000038	PIN Ø11xØ8.5x11	2
11	PAF25-05090100W	FUSE ASSY	1	25	PAF25-05170201W	JACKET "A", LINKING WIRE	1
12	PAF15-07150501W	COVERING, POWER SOURCE LINE	2	26	PAGB/T5783-M8x12	BOLT M8x12	1
13	PAGB/T5783-M6x12	BOLT M6x12	1	27	PAF25-05170202W	JACKET "B", LINKING WIRE	1
14	PAF20-05000039W	SUPPORTING STRUCTURE, RELAY	1	28	PAF15-07150400W	CDI, CABLE ASSY	1

ELECTRICIDAD 2 / ELECTRICAL 2 / PARTE ELETTRICA 2

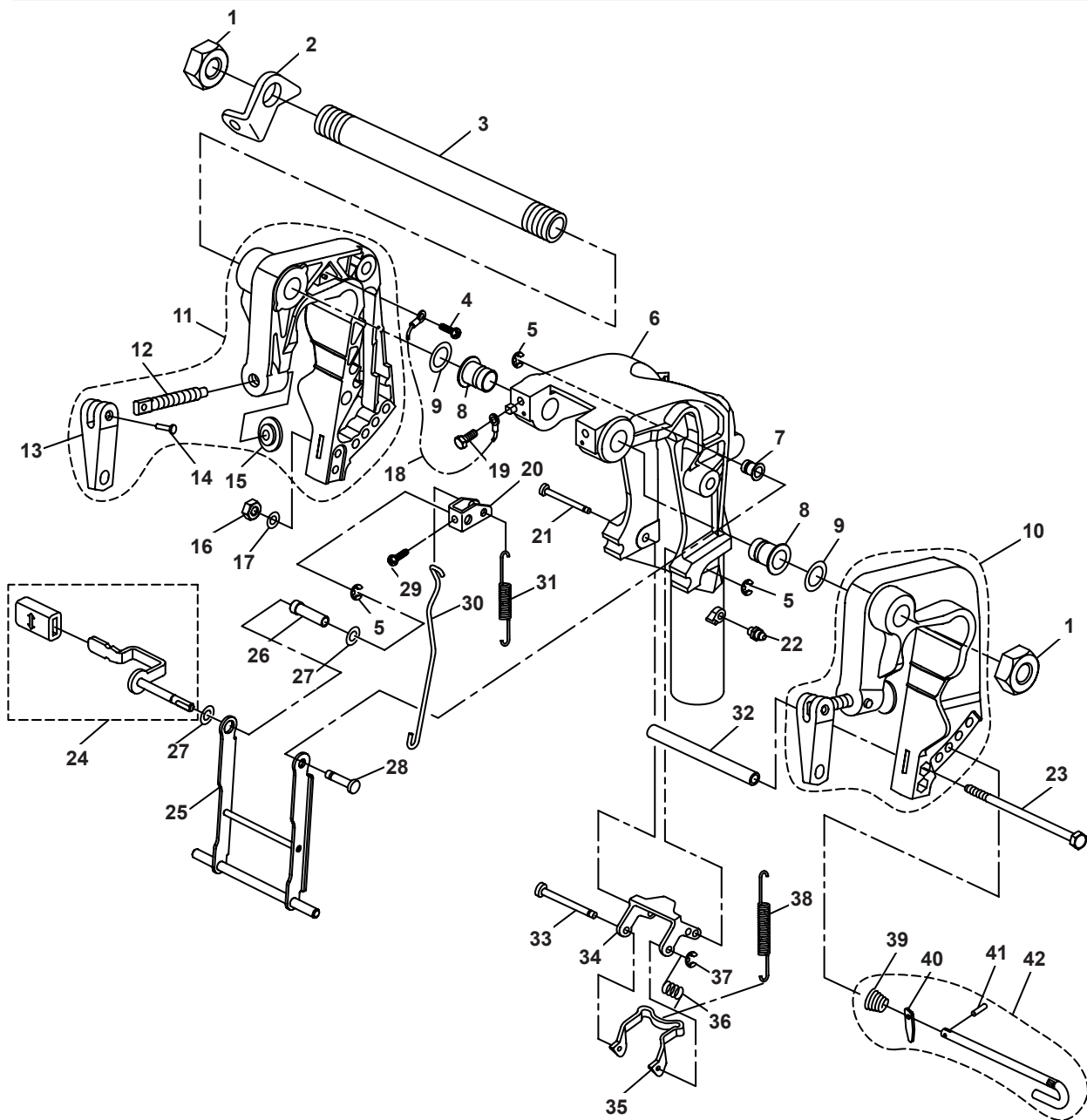


N°	Ref.	Description	Quantity	N°	Ref.	Description	Quantity
1	PAF15-07000006	NUT, FLYWHEEL	1	13	PAF20-05000300	CDI UNIT ASSY	1
2	PAF15-07000005	WASHER, FLYWHEEL NUT	1	14	PAGB/T5783-M6x20	BOLT M6x20	1
3	PAF20-05000500	FLYWHEEL ASSY	1	15	PAF20-05000004	BOLT	1
	PAF20-05000500W	FLYWHEEL ASSY (ELECTRICAL)	1	16	PAGB/T5783-M6x25	BOLT M6x25	5
4	PAGB/T5783-M6x30	BOLT M6x30	3	17	PAGB/T96-6	BIG WASHER 6	3
5	PAGB/T97.1-6	WASHER 6	8	18	PAT40-05000702W	DAMPER "A"	3
6	PAF20-05000200	COIL ASSY	1	19	PAGB/T5783-M6x12	BOLT M6x12	3
7	PAGB/T5783-M5x12	BOLT M5x12	2	20	PAF20-05000040W	PLATE	1
8	PAGB/T97.1-5	WASHER 5	2	21	PAF20-05000041	PLATE	1
9	PAF20-05000100	PULSER COIL ASSY	1	22	PAF20-05000400	IGNITION COIL ASSY	1
10	PAF15-07000004	KEY FLYWHEEL	1	23	PAF20-05000301	CDI CABLE ASSY	1
11	PAT40-05000704W	BUSH	3	24	PAT20-06000037W	NEUTRAL SWITCH ASSY	1
12	PAF20-05000017	MOUNTED PLATE, C.D.I. UNIT ASSY	1	25	PAF15-05000100BW	START SWITCH	1
				26	PAF20-03000008BW	SEAT, START SWITCH	

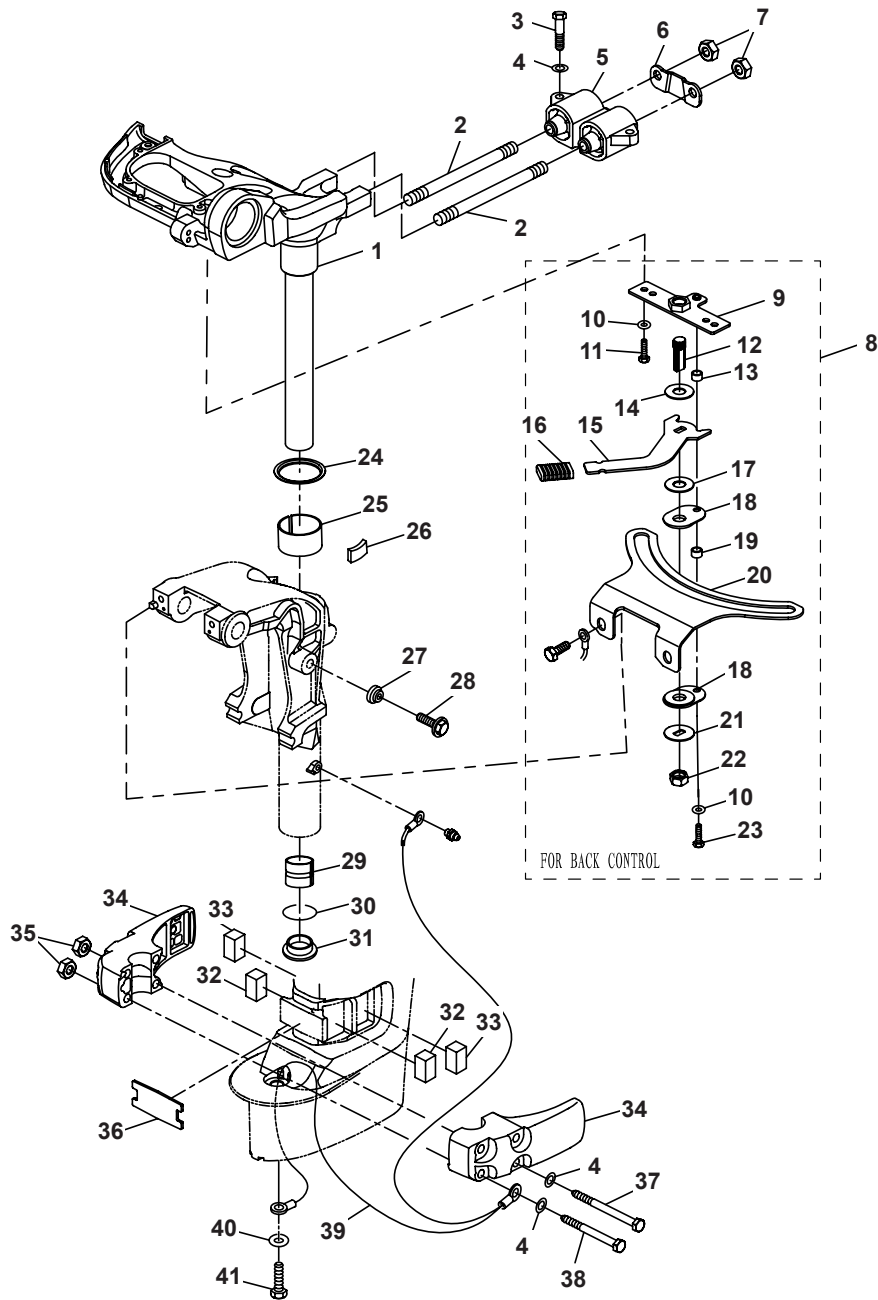


Nº	Ref.	Description	Quantity	Nº	Ref.	Description	Quantity
1	PAF20-01020200	STEERING HANDLE ASSY	1	23	PAF15-01000009	WASHER, WAVE	2
2	PAF4-01090302	RUBBER, STEERING HANDLE	1	24	PAF15-01000012	WASHER, NYLON	1
3	PAF20-01020201	GRIP, STEERING HANDLE	1	25	PAF15-01000011	BUSH, HANDLE (LOW)	1
4	PAGB/T820-M5x25	SCREW M5x25	1	26	PAF15-01000013	COVER PLATE, STEERING HANDLE	1
5	PAGB/T827-Ø2x5	RIVET Ø2x5	1	27	PAGB/T889.2-M10x1.25	LOCKING NUT M10x1.25	1
6	PAF4-01090303	INDICATOR THROTTLE	1	28	PAF20-01020100	THROTTLE CABLE ASSY	2
7	PAGB/T848-10	SMALL WASHER 10	2	29	PAGB/T823-M6x16	SCREW M6x16	5
8	PAF4-01090007	SPRING	1	30	PAGB/T97.1-6	WASHER 6	7
9	PAF4-01090006	BUSHING	1	31	PAF20-01000003	COVER, STEERING BRACKET	1
10	PAF4-01090003	FRICTION	1	32	PAF8-08000010	MARK, GEAR SHIFT	1
11	PAF15-01030100	LEVER, THROTTLE	1	33	PAF20-01000001	JACKET, RUBBER	1
12	PAGB/T5783-M6x20	BOLT M6x20	2	34	PAGB/T5783-M6x14	BOLT M6x14	1
13	PAF15-01030005	STAY	1	35	PAF20-01000002	PRESSING PLATE	1
14	PAF4-01090401	STOPPER, HANG ROPE ASSY	1	36	PAGB/T5783-M6x25	BOLT M6x25	1
15	PAT40-01020101	ENGINE STOP SWITCH ASSY	1	37	PAF25-00000004	BIG WASHER 6	1
16	PAF15-01030200	BOLT	1	38	PAF15-00000008	BUSHING	1
17	PAGB/T91-1.6x12	COTTER PIN 1.6x12	1	39	PAF15-00000009	WASHER, WAVE	1
18	PAF4-08000014	MARK 1	1	40	PAF20-00000008	HANDLE, GEAR SHIFT	1
19	PAF4-08000016	MARK 3	1	41	PAF20-00000009	ROD, CONNECTING	1
20	PAF15-01030001	STEERING HANDLE	1	42	PAF15-00000012	COLLET Ø1.8	1
21	PAF15-01000007	BUSH, HANDLE (HIGH)	1				
22	PAF15-01000008	WASHER	2				

SOPORTE MOTOR 1 / BRACKET 1 / SUPPORTO MOTORE 1

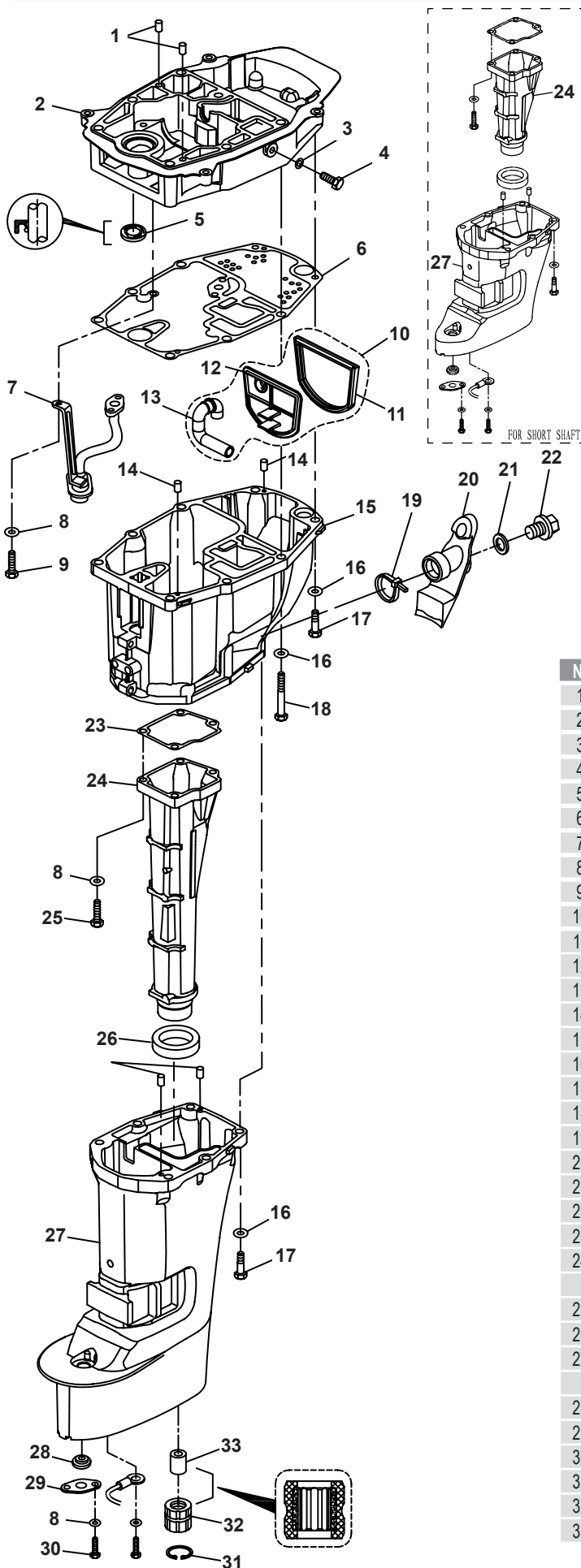


Nº	Ref.	Description	Qty	Nº	Ref.	Description	Qty
1	PAF15-01010007	NUT	2	22	PAJB/T9740.1-M6	OILER M6	1
2	PAF15-01010003	PLATE	1	23	PAGB/T5782-M6x145	BOLT M6x145	1
3	PAF15-01010001	BOLT, CLAMP BRACKET	1	24	PAF15-01010305	TILT CLAMP HANDLE ASSY	1
4	PAGB/T818-M6x8	SCREW M6x8	1	25	PAF15-01010313A	SUPPORT ASSY	1
5	PAGB/T896-5	CIRCLIP 5	3	26	PAF15-01010308	BUSH	1
6	PAF15-01010301L	BRACKET, ROTARY L	1	27	PAF15-01010309	WASHER, NYLON	2
	PAF15-01010301S	BRACKET, ROTARY S		28	PAF15-01010312A	SHAFT SUPPORT	1
7	PAF15-01010311	BUSH, NYLON	1	29	PAGB/T818-M5x6	SCREW M5x6	1
8	PAF15-01010302	BUSH, ROTARY BRACKET	2	30	PAF15-01010307A	LINK ROD	1
9	PAF15-01010002	WASHER, NYLON	2	31	PAF15-01010304	SPRING	1
10	PAF15-01010100	LEFT BRACKET ASSY	1	32	PAF15-01010006	BUSH	1
11	PAF15-01010200	RIGHT BRACKET ASSY	1	33	PAF15-01010317-3	SHORT SHAFT, LOCK ANGLE	1
12	PAF15-01010102	SCREW, CLAMP	2	34	PAF15-01010317-2	BRACKET, LOCK ANGLE	1
13	PAF4-01010004	HANDLE	2	35	PAF15-01010317-1	INNER BRACKET	1
14	PAF4-01010005	RIVET, CLAMP HANDLE	2	36	PAF15-01010315	SPRING, TORSION	1
15	PAF4-01010003	CLAMP, PLATE	2	37	PAGB/T896-4	CIRCLIP 4	1
16	PAGB/T6170-M6	NUT M6	1	38	PAF15-01010314A	SPRING, TENSION	1
17	PAGB/T97.1-6	WASHER 6	1	39	PAF15-01010402	CONICAL SPRING	1
18	PAF15-01010202	TIGHTWIRE, EARTHING	1	40	PAF4-01050003	NOG, PREVENTED UNLOCK	1
19	PAGB/T5783-M8x12	BOLT M8x12	2	41	PAGB/T879.1-Ø3x8	PIN, SPRING Ø3X8	1
20	PAF15-01010306	LEVER, ANGLE ORIENTATION	1	42	PAF15-01010400	LIMITATIVE ROD ASSY	1
21	PAF15-01010316	LONG SHAFT, LOCK ANGLE	1				

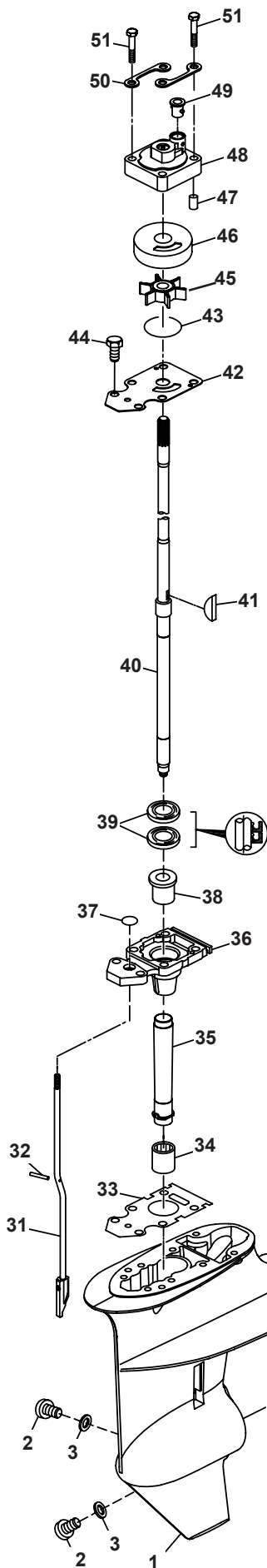


N°	Ref.	Description	Qty	N°	Ref.	Description	Qty
1	PAF20-01010000	STEERING BRACKET ASSY (L)	1	21	PAF20-01030003	WASHER "B"	1
	PAF20-01010000S	STEERING BRACKET ASSY (S)		22	PAGB/T889.1-M10x1.25	LOCKING NUT M10x1.25	1
2	PAGB/T900-M10x1.25x82	BOLT M10x1.25x82	2	23	PAGB/T5783-M5x20	BOLT M5x20	1
3	PAGB/T5783-M8x30	BOLT M8x30	2	24	PAF15-01000003	WASHER, HIGHT	1
4	PAGB/T97.1-8	WASHER 8	7	25	PAF15-01000001	BUSH, HIGHT	1
5	PAF20-02020200	DAMPER ASSY	1	26	PAF15-01000002	LOCKING BLOCK	1
6	PAF20-00000005	PLATE	1	27	PAF15-01010303	SEAL, LOCKING BOLT	1
7	PAGB/T6170-M10x1.25	NUT M10x1.25	2	28	PAGB/T5787-M6x20	BOLT, FLANGE	1
8	PAF20-01030000	STEERING FRICTION ASSY	1	29	PAF15-01000004	BUSH, LOW	1
9	PAF20-01030001	FIXED PLATE "A"	1	30	PAGB/T3452.1-Ø30x3.55	O-RING Ø30x3.55	1
10	PAGB/T97.1-5	WASHER 5	3	31	PAF15-01000006	WASHER, LOW	1
11	PAGB/T5783-M5x16	BOLT M5x16	3	32	PAF20-00000002	DAMPER BLOCK "A"	2
12	PAF20-01030002	SCREW, ADJUSTING	1	33	PAF20-00000003	DAMPER BLOCK "B"	2
13	PAF20-01030008	BUSH "A"	1	34	PAF20-00000001	COVER, MOUNT DAMPER	2
14	PAF20-01030011	WASHER "A"	1	35	PAGB/T6177-M8	NUT M8, FLANGE	4
15	PAF20-01030004	HANDLE, ADJUSTING	1	36	PAF20-00000004	DAMPER BLOCK, FRONT	1
16	PAF20-01030005	JACKET, HANDLE	1	37	PAGB/T5782-M8x105	BOLT M8x105	2
17	PAF20-01030006	WASHER, NYLON	1	38	PAGB/T5782-M8x85	BOLT M8x85	2
18	PAF20-01030007	FRICTION	2	39	PAF20-02000002	WIRE, LEAD	1
19	PAF20-01030010	BUSH "B"	1	40	PAGB/T97.1-6	WASHER 6	1
20	PAF20-01030009	FIXED PLATE "B"	1	41	PAGB/T5783-M6x10	BOLT M6x10	1

COLA SUPERIOR / UPPER CASING / PARTE ALTA PIEDE

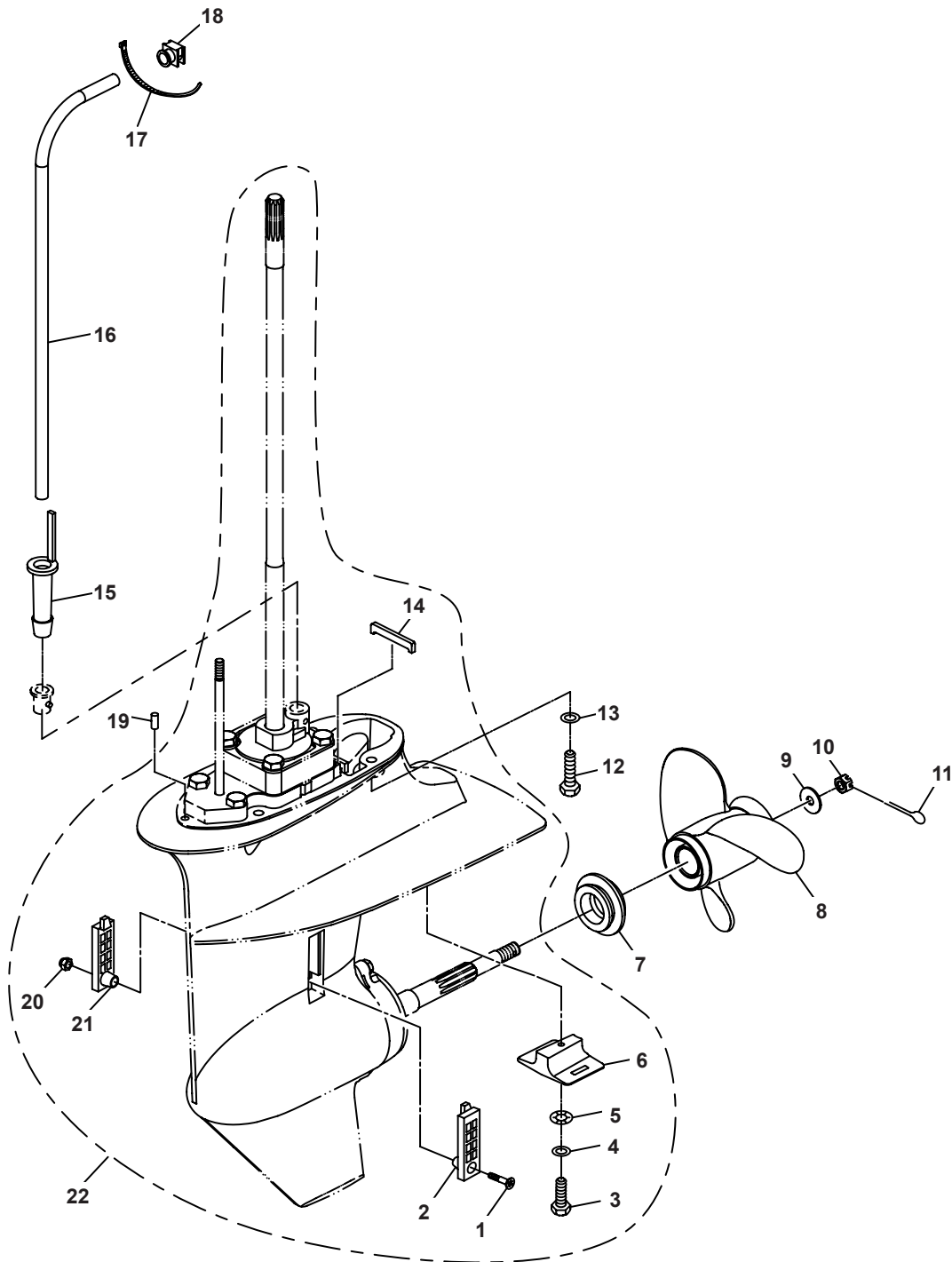


N°	Ref.	Description	Quantity
1	PAF15-00000006	PIN Ø6x12	2
2	PAF20-02020001	SEAT, OUTLET MANIFOLD	1
3	PAF4-04000006	WASHER	1
4	PAGB/T5783-M8x14	BOLT M8x14	1
5	PAF15-04000008	OIL SEAL 13x25x6	1
6	PAF20-02020002	GASKET	1
7	PAF20-02020100	OIL STRAINER ASSY	1
8	PAGB/T97.1-6	WASHER 6	8
9	PAGB/T5783-M6x16	BOLT M6x16	2
10	PAF20-02010100	SEPARATE PLATE ASSY	1
11	PAF20-02010102	SEAL, RUBBER	1
12	PAF20-02010101	SEPARATE PLATE	1
13	PAF20-02010103	PIPE, RUBBER	1
14	PAF15-00000013	PIN Ø4x12	4
15	PAF20-02010001	OIL PAN	1
16	PAGB/T97.1-8	WASHER 8	14
17	PAGB/T5783-M8x30	BOLT M8x30	8
18	PAGB/T5782-M8x85	BOLT M8x85	6
19	PAHT2.5x50	CLAMP	1
20	PAF20-02010002	RUBBER SLEEVE, OIL OUTLET	1
21	PAF15-04000003	WASHER	1
22	PAF15-04000002	BOLT, OIL OUTLET	1
23	PAF20-02010004	GASKET, OUTLET MANIFOLD	1
24	PAF20-02010003L	OUTLET MANIFOLD (L)	1
	PAF20-02010003S	OUTLET MANIFOLD (S)	
25	PAGB/T5783-M6x25	BOLT M6x25	4
26	PAF20-02010005	DAMPER, OUTLET MANIFOLD	1
27	PAF20-02000001L	UPPER CASING (L)	1
	PAF20-02000001S	UPPER CASING (S)	
28	PAF20-02000003	SEAL, RUBBER	1
29	PAF20-02000004	PLATE	1
30	PAGB/T5783-M6x10	BOLT M6x10	1
31	PAGB/T893.1-30	CIRCLIP	1
32	PAT40-02000004	SHEATH, RUBBER	1
33	PATE15-02000016	BUSH	1



N°	Ref.	Description	Quantity	N°	Ref.	Description	Quantity
1	PAF15-06000001	LOWER CASING	1	24	PAF15-06080003	O-RING B, COVER	1
2	PAF4-03000023	PLUG, OIL HOSE	2	25	PAF15-06080001	COVER, LOWER CASING	1
3	PAF4-03000024	GASKET	2	26	PAGB/T290HK1712	BEARING HK1712	1
4	PAF15-06000010-1	SHIM (t:0.10 mm)	1	27	PAF15-06080004	OIL SEAL	2
	PAF15-06000010-2	SHIM (t:0.12 mm)		28	PAF15-06080000	COVER ASSY, LOWER CASING	1
	PAF15-06000010-3	SHIM (t:0.15 mm)		29	PAGB/T97.1-6	WASHER 6	2
	PAF15-06000010-4	SHIM (t:0.18 mm)		30	PAGB/T5783-M6x20	BOLT M6x20	2
	PAF15-06000010-5	SHIM (t:0.30 mm)		31	PAF20-04020000L	CAM ASSY, SHIFT ROD (L)	1
	PAF15-06000010-6	SHIM (t:0.40 mm)			PAF20-04020000S	CAM ASSY, SHIFT ROD (S)	1
	PAF15-06000010-7	SHIM (t:0.50 mm)		32	PAGB/T879.1-2.5x14	PIN 2.5x14	1
5	PAHR30205J	BEARING	1	33	PAF20-04000001	GASKET BASE	1
6	PAF15-06010000	GEAR, FORWARD	1	34	PANSKF1420	BEARING	1
7	PAF15-06000012	NUT, PINION	1	35	PAF15-06000006	BUSHING NYLON	1
8	PAF15-06000011	PINION	1	36	PAF20-04010001	BASE, DRIVE SHAFT	1
9	PAF15-06000008	SHIM, PINION (t:1.13 mm)	1	37	PAF15-06020004	O-RING	1
	PAF15-06000009	SHIM, PINION (t:1.20 mm)		38	PAF15-06020002	BEARING	1
10	PATE15-04000018	WASHER, PINION	1	39	PAF15-06020003	OIL SEAL, DRIVE SHAFT	2
11	PAF15-06000020-1	WASHER, BEARING	1	40	PAF20-04030000L	DRIVE SHAFT ASSY (L)	1
12	PAF15-06070004	PIN, CLUTCH	1		PAF20-04030000S	DRIVE SHAFT ASSY (S)	1
13	PAF15-06070003	CLUTCH, DOG	1	41	PAF15-06000013	KEY, WOODRUFF	1
14	PAF15-06070005	RING, CLUTCH	1	42	PAF20-04000002	OUTER PLATE	1
15	PAF15-06070006	PLUNGER, SHIFT	1	43	PAJASOF404-31-045	O-RING	1
16	PAF15-06070002	SPRING, CLUTCH	1	44	PAGB/T5783-M8x25	BOLT M8x25	2
17	PAF15-06070001	SHAFT, PROPELLER	1	45	PAF15-06050000	IMPELLER ASSY	1
18	PAF15-06070000	PROPELLER SHAFT ASSY	1	46	PAF15-06060002	INNER SHELL, WATER PUMP	1
19	PAF15-06070007	WASHER, REVERSE GEAR	1	47	PAF15-00000013	DOWEL PIN Ø4x12	2
20	PAF15-06080005	GEAR, REVERSE	1	48	PAF20-04040001	WATER PUMP HOUSING	1
21	PAF15-06080006-1	SHIM (t:0.10 mm)	1	49	PAF25-04050004	SEAL, WATER PIPE	1
	PAF15-06080006-2	SHIM (t:0.20 mm)	1	50	PAF15-06000014	FIXED PLATE, WATER PUMP	2
	PAF15-06080006-3	SHIM (t:0.30 mm)	1	51	PAGB/T5783-M8x45	BOLT M8x45	4
	PAF15-06080006-4	SHIM (t:0.40 mm)	1				
	PAF15-06080006-5	SHIM (t:0.50 mm)	1				
22	PAGB/T276-6005/P63	BEARING 6005	1				
23	PAF15-06080002	O-RING A, COVER	1				

COLA INFERIOR 2 / LOWER CASING & DRIVE 2 / PARTE INFERIORE PIEDE 2



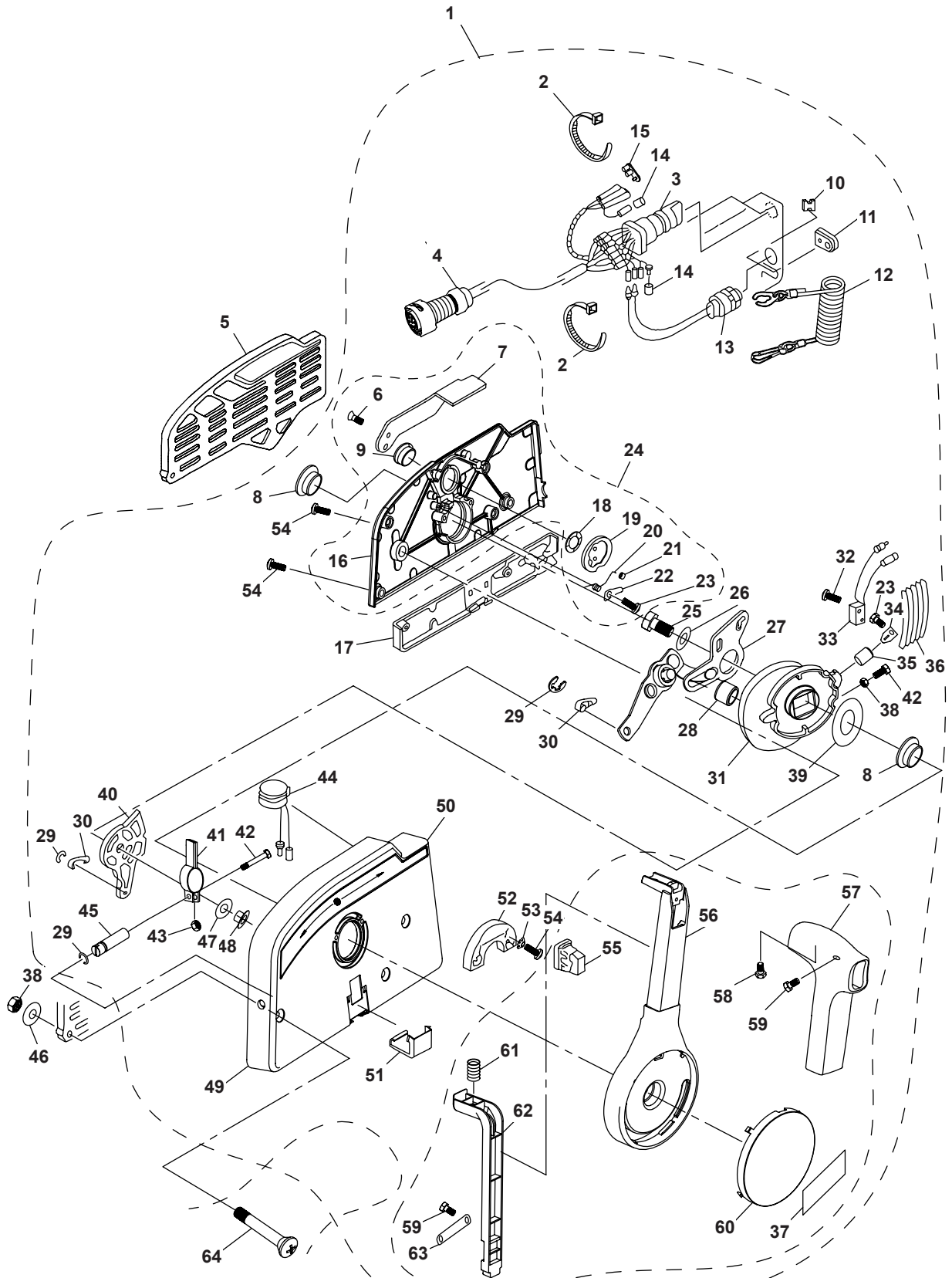
Nº	Ref.	Description	Quantity
1	PAGB/T820-M5x20	SCREW M5x20	1
2	PAF15-06000003	WATER INLET B	1
3	PAGB/T5783-M6x30	BOLT M6x30	1
4	PAGB/T97.1-6	WASHER 6	1
5	PAGB/T861.1-6	WASHER, LOCKING 6	1
6	PAF15-06000004	ANODE	1
7	PAF15-06000015	CUSHION, PROPELLER	1
8	PAF15-06090000	PROPELLER ASSY	1
9	PAGB/T96-10	BIG WASHER 10	1
10	PAF15-06000016	NUT, HEXAGON	1
11	PAGB/T91-2.5x20	PIN, COTTER 2.5x20	1
12	PAGB/T5783-M8x30	BOLT, HEXAGON M8x30	4

Nº	Ref.	Description	Quantity
13	PAGB/T97.1-8	WASHER 8	4
14	PAF15-06020005	SEAL, RUBBER	1
15	PAF20-02000005	BUSH TUBE	1
16	PAF20-02000101L	TUBE, WATER (L)	1
	PAF20-02000101S	TUBE, WATER (S)	
17	PAHT-2.5x50	CABLE TIES 2.5x50	1
18	PAF20-02000007	SEAL, WATER TUBE	1
19	PAF15-00000013	DOWEL PIN Ø4x12	2
20	PAGB/T6182-M5	NUT, LOCKING M5	1
21	PAF15-06000002	WATER INLET A	1
22	PAF20-04000000L	LOWER CASING ASSY (L)	1
	PAF20-04000000S	LOWER CASING ASSY (S)	1

CAJA DE MANDOS / CONTROL BOX ASSY / SCATOLA COMANDI

N°	Ref.	Description	Qty
1	PAF15-13000000W	CONTROL BOX ASSY	1
2	PAHT2.5x60	CLAMP	2
3	PAF15-13000200W	STARTING SWICH ASSY	1
4	PAF15-13000100W	CONTROL CABLE ASSY	1
5	PAF15-11000002W	PLATE, CONTROL BOX	1
6	PAGB/T819.2-M5x12	SCREW PAN HEAD M5x12	2
7	PAF15-13020007W	THROTTLE HANDLE, INCHING	1
8	PAF15-13000005W	BUSH, CAM	2
9	PAF15-13020006W	BUSH, HANDLE	1
10	PAF15-11000001W	BLOCK, RUBBER	1
11	PAF15-13000014W	JACKET, CABLE	1
12	PAF4-01090401	STOPPER, HANG ROPE ASSY	1
13	PAF15-13020400W	ENGINE STOP SWICH ASSY	1
14	PAF15-13000203W	INSULATED PLUG "B"	2
15	PAF15-13000202W	INSULATED PLUG "A"	1
16	PAF15-13020001W	COVER, CONTROL BOX	1
17	PAF15-13000013W	SMALL COVER, CONTROL BOX	1
18	PAF15-13020005W	WASHER, WAVE	1
19	PAF15-13020100W	LOCKED DISK ASSY	1
20	PAF15-13020002W	TORSION SPRING	1
21	PAF15-13020003W	EACH LOCKED PULLEY	1
22	PAF15-13020004W	PLATE, PULLEY SPRING	1
23	PAGB/T818-M4x6	PAN HEAD SCREW M4x16	2
24	PAF15-13020000W	COVER ASSY, CONTROL BOX	1
25	PAGB/T5783-M8x30	BOLT M8x30	1
26	PAGB/T97.1-8	WASHER 8	1
27	PAF15-13000500W	MACHINE CONTROL ACCELEROGRAPH	1
28	PAF15-10000007W	WASHER	1
29	PAGB/T896-6	PIN, COTTER 8	3
30	PAF25-07000007W	CONTROL CABLE TIE-IN "B"	2
31	PAF15-13000002W	CAM MECHANISM	1
32	PAGB/T818-M3x14	PAN HEAD SCREW M3x14	2

N°	Ref.	Description	Qty
33	PAF15-13000800W	INCHING SWITCH	1
34	PAF15-13000003W	PLATE	1
35	PAF15-13000004W	PULLEY	1
36	PAF15-13000001W	SHIFT SPING PLATE "B"	5
37	PAF15-12000016W	MARK 16	1
38	PAGB/T6170-M6	NUT M6	4
39	PAF15-13000008W	WEARABLE PLATE CAM MECHANISM	1
40	PAF15-13000700W	SHIFT SWING LINK	1
41	PAF15-13000601W	ADJUSTER FASTNESS ASSY	1
42	PAGB/T5783-M5x25	BOLT M5x25	2
43	PAGB/T6170-M5	NUT M5	2
44	PAF15-13000300W	BUZZER ASSY	1
45	PAF15-13000602W	ADJUSTER PIN	1
46	PAGB/T5287-6	BIG WASHER 6	3
47	PAF15-13000006W	WEARABLE PLATE	1
48	PAF15-13000011W	BUSH, SHIFT SWING LINK	1
49	PAF15-13000012W	BRACKET, CONTROL BOX	1
50	PAF15-12000013W	MARK 13	1
51	PAF15-13000015W	COVER, WATERPROOF	1
52	PAF15-13010010W	BLOCK, CONTROL HANDLE	1
53	PAGB/T956.1-5	WASHER LOCKED 5	2
54	PAGB/T819.2-M5x18	SCREW, PAN HEAD M5x18	7
55	PAF15-13010003W	JAM, BUTTON	2
56	PAF15-13010001W	CONTROL, HANDLE	1
57	PAF15-13010002W	CONTROL HANDLEBAR	1
58	PAGB/T84.5-ST4.8x12	SCREW, PAN HEAD ST4.8x12	1
59	PAGB/T818-M4x10	SCREW, PAN HEAD M4x10	3
60	PAF15-13010009W	COVER, CONTROL HANDLE	1
61	PAF15-13010005W	SPRING, COMPRESSION	1
62	PAF15-13010004W	PART, ORIENTATION CONTROL	1
63	PAF15-13010008W	PLATE, ORIENTATION PART	1
64	PAGB/T820-M6x90	SCREW, PAN HEAD M6x90	3

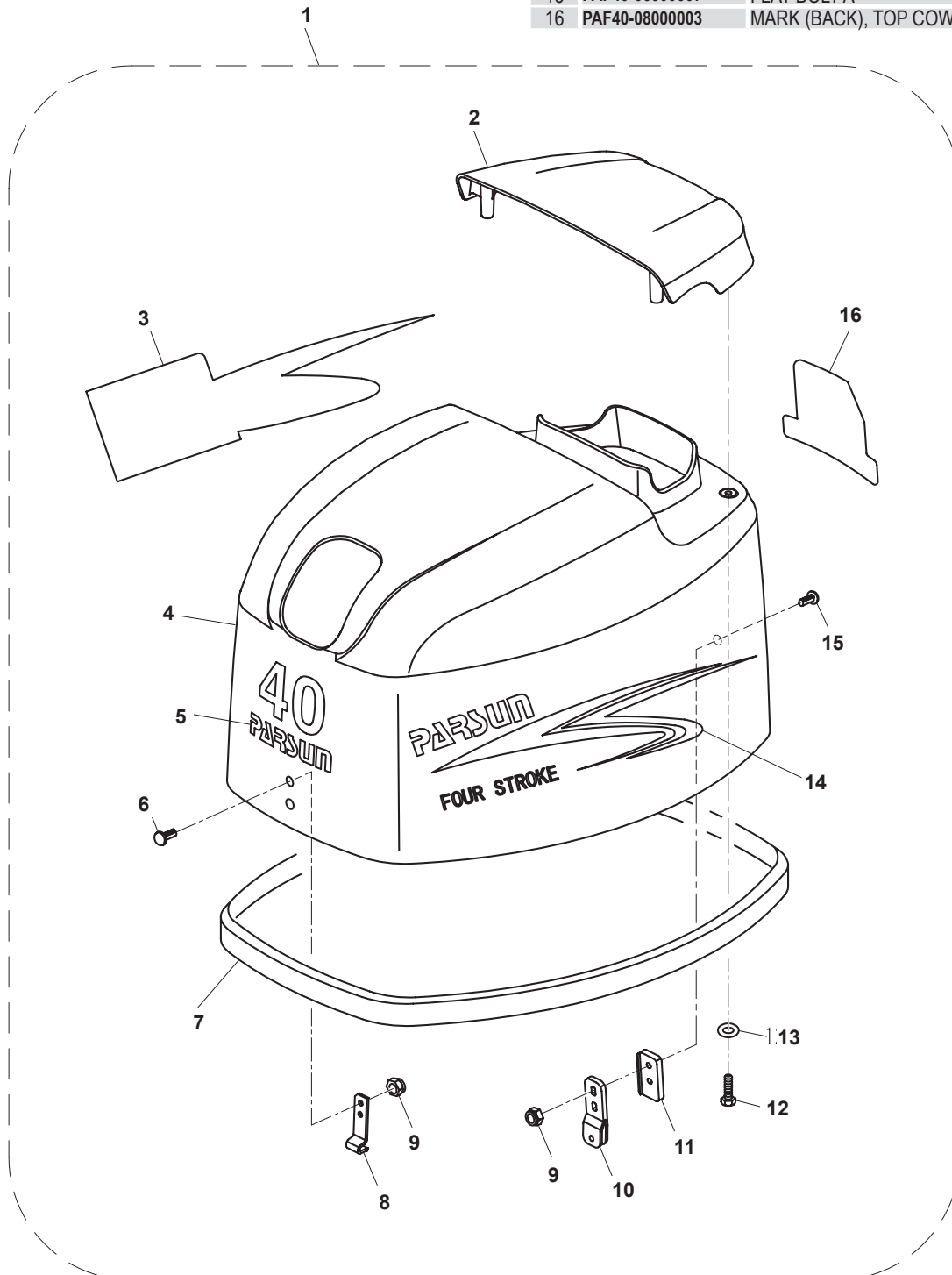




F40FWL-T

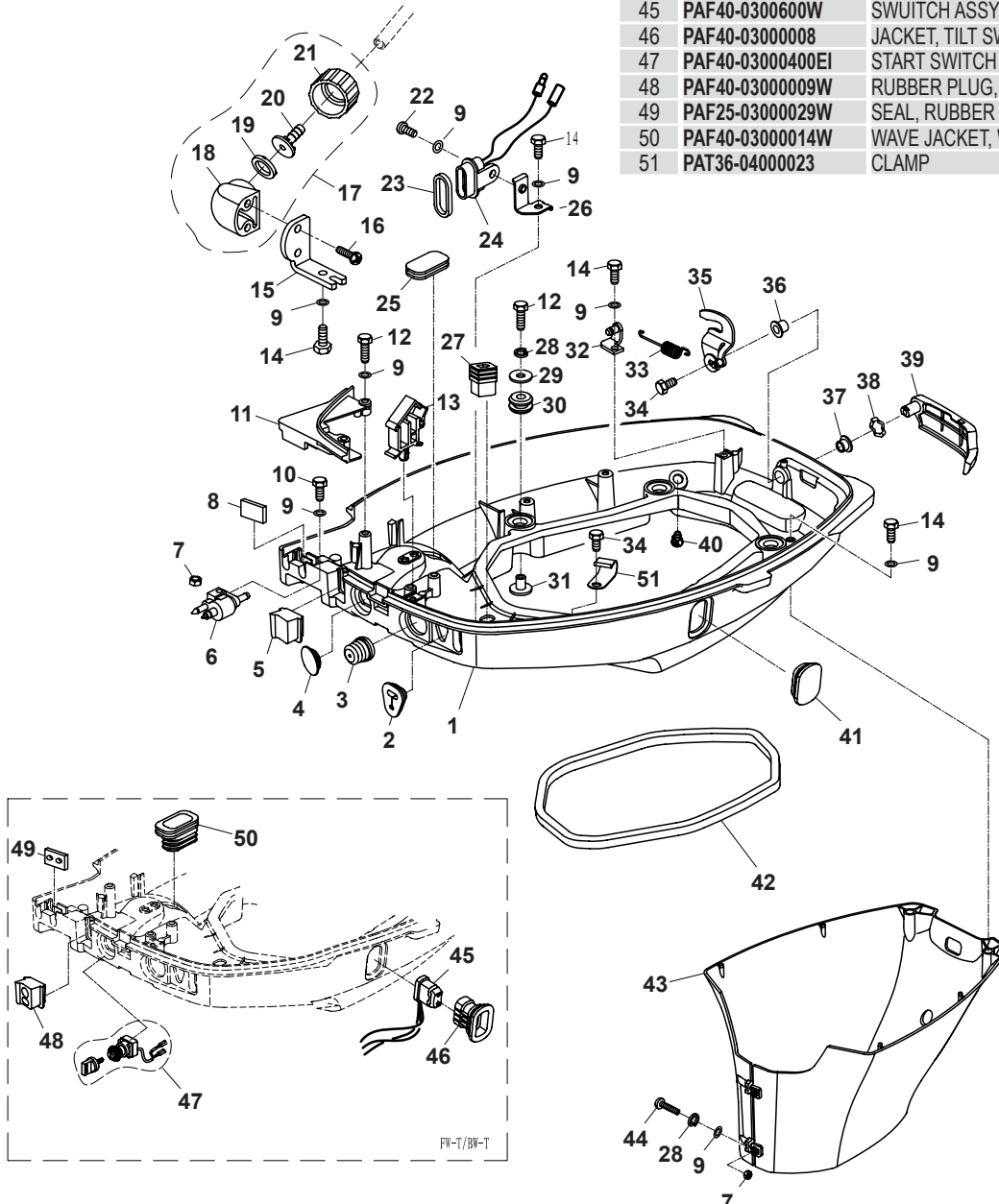
TAPA MOTOR / TOP COWLING ASSY / CALANDRA

N°	Ref.	Description	Qty
1	PAF40-0600000	TOP COWLING ASSY	1
2	PAF40-0600003	COVBR, TOP COWLING	1
3	PAF40-0800002	MARK (RIGHT), TOP COWLING	1
4	PAF40-0600001	TOP COWLING	1
5	PAF40-0800004	MARK (FRONT), TOP COWLING	1
6	PAF25-0600006	FLAT BOLT B	2
7	PAF40-0600002	RUBBER SEAL, TOP COWLING	1
8	PAF25-0600004	POTHOOK (FRONT)	1
9	PAGB/T6184-M6	LOCKNUT M6	4
10	PAF25-06000100	POTHOOK ASSY(BACK)	1
11	PAF25-0600005	CUSHION, BACK POTHOOK	1
12	PAGB/T5783-M6x20	BOLT M6x20	4
13	PAGB/T97.1-6	WASHER 6	4
14	PAF40-0800001	MARK (LEFT), TOP COWLING	1
15	PAF40-0600007	FLAT BOLT A	2
16	PAF40-0800003	MARK (BACK), TOP COWLING	1



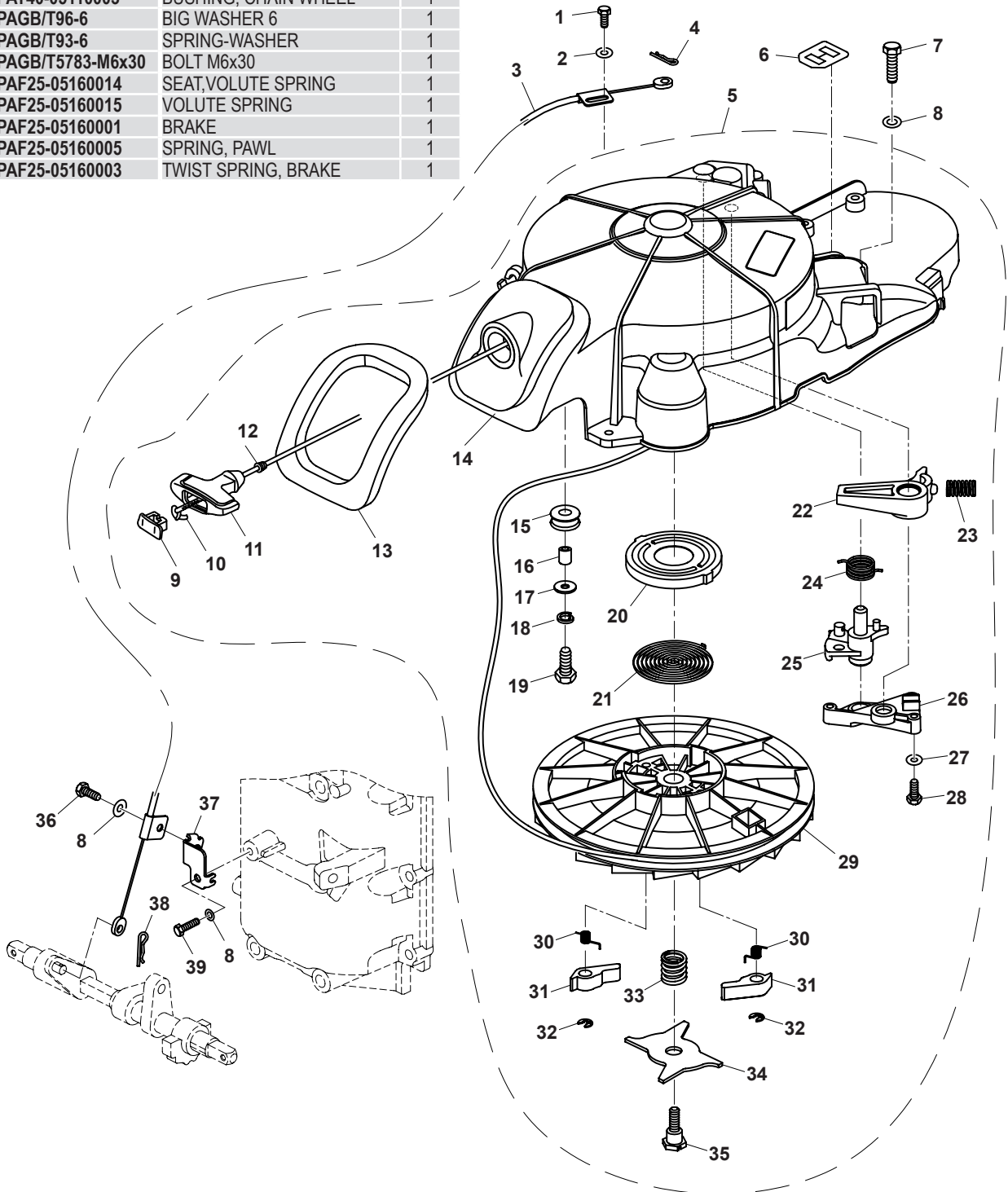
BANDEJA MOTOR / BOTTON COWLING / BASE CALANDRA

Nº	Ref.	Description	Qty	Nº	Ref.	Description	Qty
1	PAF40-0300001EI	BOTTOM COWLING (EFI)		23	PAF20-03000101	SEAL, PILOT LAMP	1
2	PAF15-01000015	JACKET, CABLE	1	24	PAF40-03000300EI	PILOT LAMP ASSY (EFI)	1
3	PAF15-05000006	SHEATH, WAVB	1	25	PAF15-05000003	RUBBER PLUG, QUADRATE	1
4	PAF25-03000003	RUBBRR PLUG, CIRCULAR	1	26	PAF40-03000012	BRACKET, PILOT LAMP	1
5	PAF40-03000009	RUBBER PLUG, ABNORMAL	1	27	PAF15-05000033	JACKET, LEVER	1
6	PAF4-05000200	FUEL CONNECTOR ASSY	1	28	PAGB/T93-6	SPRING-WASHER 6	4
7	PAGB/T6170-M6	NUT M6	3	29	PAF25-00000004	BIG WASHER 6	4
8	PAF15-05000017	SEAL, RUBBER	1	30	PAF25-03000006	DAMPER	4
9	PAGB/T97.1-6	WASHER 6	10	31	PAF25-03000007	BUSHING, DAMPER	4
10	PAGB/T5783-M6x25	BOLT M6x25	1	32	PAF25-03000019	BRACKET ASSY, TENSIONAL SPRING	1
11	PAF40-03000006	COVER BOARD	1	33	PAF15-05000026	SPRING, TENSION	1
12	PAGB/T5783-M6x30	BOLT M6x30	4	34	PAGB/T5783-M6x12	BOLT M6x12	1
13	PAF15-05000008	CLAMP A	1	35	PAF25-03020000	LOCKING ASSY, TOP COWLING	1
14	PAGB/T5783-M6x20	BOLT M6x20	5	36	PAF15-05000036	BUSHING B	1
15	PAF25-03000023W	BRACKET, JAM	1	37	PAF15-05000022	BUSHING A	1
16	PAGB/T84.5-ST5.5x19	SCREW ST5.5x19	2	38	PAF15-05000023	WASHER, WAVE	1
17	PAF25-03000100W	JAM ASSY	1	39	PAF40-03000100	LOCKING ASSY, TOP COWLING	1
18	PAF25-03000101W	JAM	1	40	PAF15-05000009	WATER NIPPLE, PLASTIC	1
19	PAF25-03000102W	RUBBRR RING, JAM	1	41	PAF40-03000011	JAM, BOTTOM COWLING	1
20	PAF25-03000103W	JOINT, JAM	1	42	PAF25-03000002	SEAL, BOTTOM COWLING	1
21	PAF25-03000104W	NUT, JAM	1	43	PAF40-00000100	SHIELD, UPPER CASING	1
22	PAGB/T823-M6x10	SCREW M6x10	1	44	PAGB/T818-M6X25	SCREW M6X25	2
				45	PAF40-0300600W	SWUITCH ASSY, TILT	1
				46	PAF40-03000008	JACKET, TILT SWITCH	1
				47	PAF40-03000400EI	START SWITCH	
				48	PAF40-03000009W	RUBBER PLUG, ABNORMAL	
				49	PAF25-03000029W	SEAL, RUBBER	1
				50	PAF40-03000014W	WAVE JACKET, WATER PIPE	1
				51	PAT36-04000023	CLAMP	1



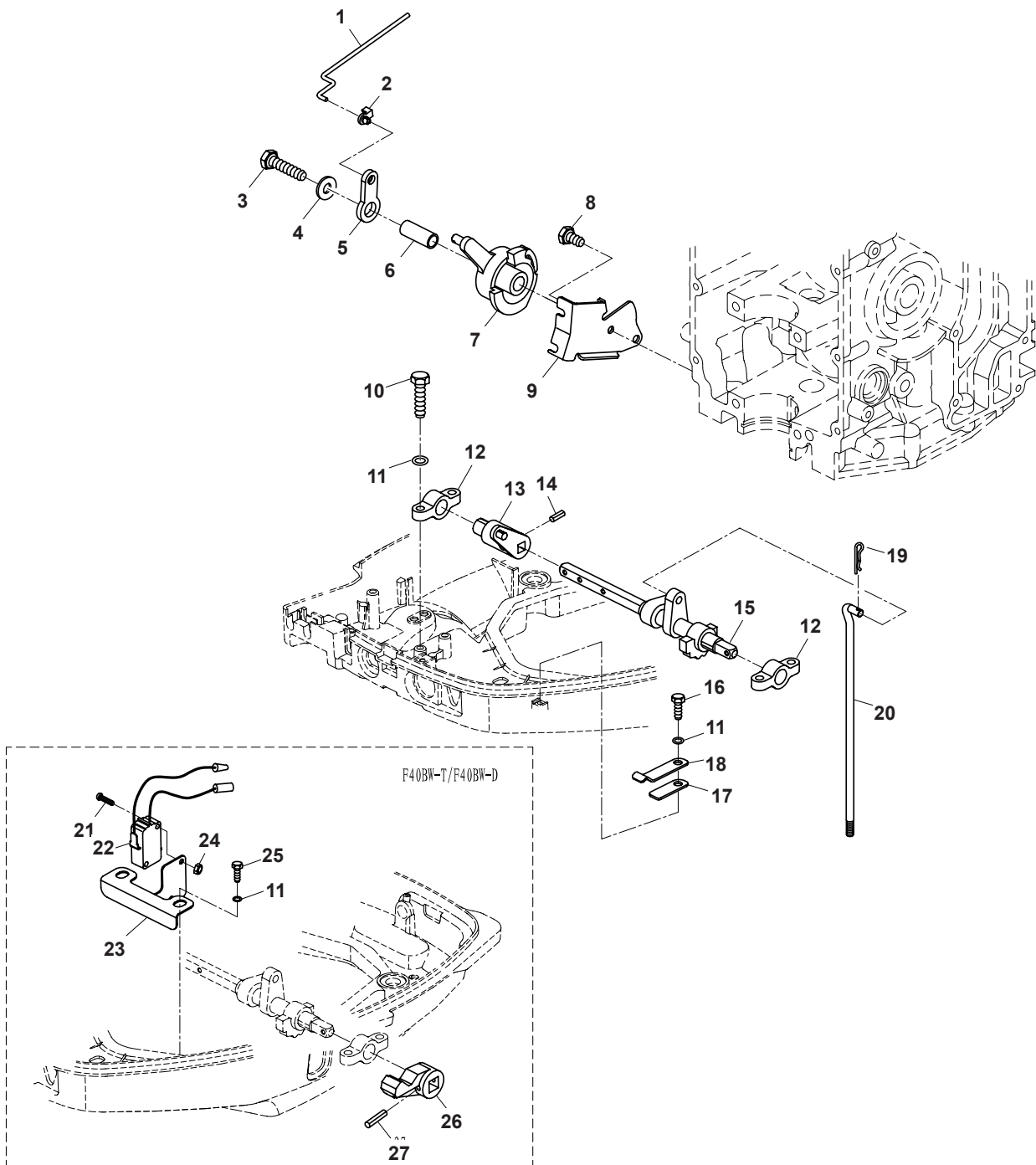
ARRANQUE / STARTER ASSY / AVVIAMENTO

N°	Ref.	Description	Quantity	N°	Ref.	Description	Quantity
1	PAGB/T5783-M5x12	BOLT M5x12	1	25	PAF25-05160004	PAWL, BRAKE	1
2	PAGB/T96-5	BIG WASHER 5	1	26	PAF25-05160006	FIXED PLATE, BRAKE	1
3	PAF40-05080200	TIGHTWIRE ASSY, ARRESTER	1	27	PAGB/T848-5	SMALL WASHER 5	3
4	PAF25-05160002	SPRING CLAMP	1	28	PAGB/T5783-M5x30	BOLT M5x30	3
5	PAF40-05080000	STARTER ASSY	1	29	PAF25-05160300	WHEEL ASSY, START-UP	1
6	PAF25-05160012	RUBBER JACKET	1	30	PAF25-05160304	WRIST SPRING, PAWL	2
7	PAGB/T5783-M6x25	BOLT M6x25	4	31	PAF25-05160305	PAWL, START-UP	2
8	PAGB/T97.1-6	WASHER 6	6	32	PAGB/T896-6	COTTER CIRCLIP 6	2
9	PAF4-04130102	COVER, HANDLE	1	33	PAF25-05160016	SPRING, PLATE	1
10	PAF25-05160019	START LINE	1	34	PAF25-05160017	PLATE, START-UP	1
11	PAF25-05160501	STARTER HANDLE	1	35	PAF25-05160018	BOLT, PLATE	1
12	PAF25-05160021	DAMPER, HANDLE	1	36	PAGB/T5783-M6x12	BOLT M6x12	1
13	PAF40-05080001	SEAL, FROTHY RUBBER	1	37	PAF40-05000035	FIXED PLATE, TIGHTWIRE	1
14	PAF40-05080100	STARTER CASING ASSY	1	38	PAF15-00000012	SPRING CLAMP Ø1.8	1
15	PAT40-05110002	CHAIN WHEEL, STARTER	1	39	PAGB/T5783-M6x16	BOLT M6x16	1
16	PAT40-05110003	BUSHING, CHAIN WHEEL	1				
17	PAGB/T96-6	BIG WASHER 6	1				
18	PAGB/T93-6	SPRING-WASHER	1				
19	PAGB/T5783-M6x30	BOLT M6x30	1				
20	PAF25-05160014	SEAT, VOLUTE SPRING	1				
21	PAF25-05160015	VOLUTE SPRING	1				
22	PAF25-05160001	BRAKE	1				
23	PAF25-05160005	SPRING, PAWL	1				
24	PAF25-05160003	TWIST SPRING, BRAKE	1				



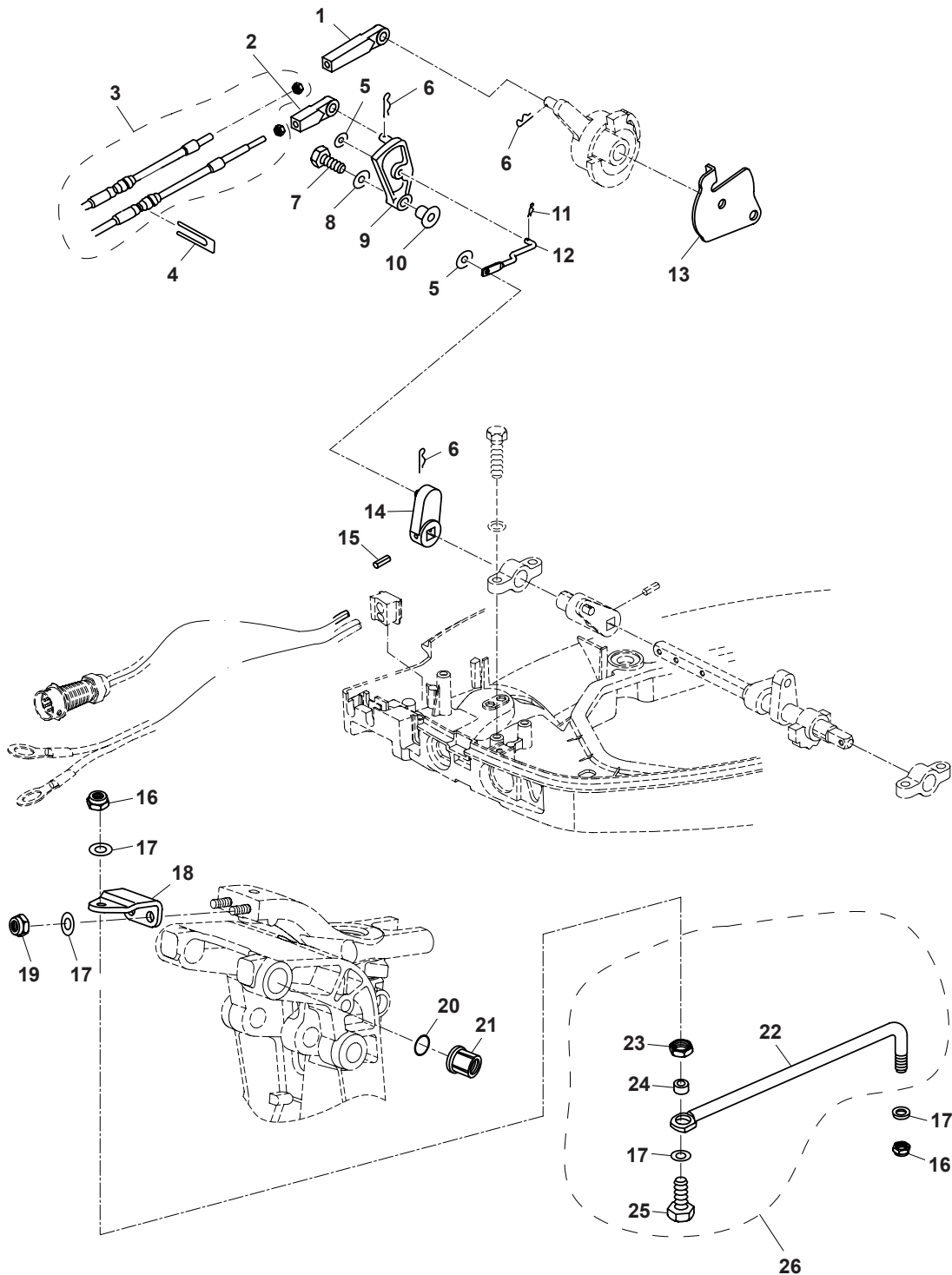
CAMBIO 1 / CONTROL SYSTEM 1 / CALANDRA 1

N°	Ref.	Description	Quantity	N°	Ref.	Description	Quantity
1	PAF40-05000028	CONNECTING ROD, ACCELEROGRAPH	1	14	PAGB/T879.4-Ø3x20	PIN Ø 3x20	1
2	PAF15-07000016	JOINT, CONNECTING ROD	1	15	PAF15-05040100	LEVER ASSY, SHIFT ROD	1
3	PAGB/T5782-M6x55	BOLT M6x55	1	16	PAGB/T5783-M6x20	BOLT M6x20	1
4	PAGB/T96-6	BIG WASHER 6	1	17	PAF15-05000031	SPRING PIECE, SHIFT ROD	1
5	PAF15-07000014	DRIVEN WHEEL, ACCELEROGRAPH	1	18	PAF15-05000032	SPRING PIECE, SHIFT ROD	1
6	PAF40-05000016	BUSHING, ACCELEROGRAPH	1	19	PAF15-00000012	CLIP Ø1.8	1
7	PAF40-05000033	CHAIN WHEEL, ACCELEROGRAPH	1	20	PAF40-03000007L	CONNECTING ROD, SHIFT GEAR	1
8	PAGB/T5783-M6x10	BOLT M6x10	1	21	PAGB/T818-M3x14	SCREW M3x14	2
9	PAF40-05000015	PLATE, STEEL CABLE	1	22	PAF15-13000800W	JIGGLE SWITCH	1
10	PAGB/T5783-M6x25	BOLT M6x25	4	23	PAF15-05000300BW	PLATE, JIGGLE SWITCH	1
11	PAGB/T97.1-6	WASHER 6	7	24	PAGB/T6170-M3	NUT M3	2
12	PAF15-05040002	BEARER, SHIFT ROD	2	25	PAGB/T5783-M6x16	BOLT M6x16	2
13	PAF40-03000010	ROCKER, DETENT	1	26	PAF25-03030005W	ROCKER C, ARRESTER	1
				27	PAGB/T879.2-3x20	COLUMNIFORM PIN Ø 3 x 20	1



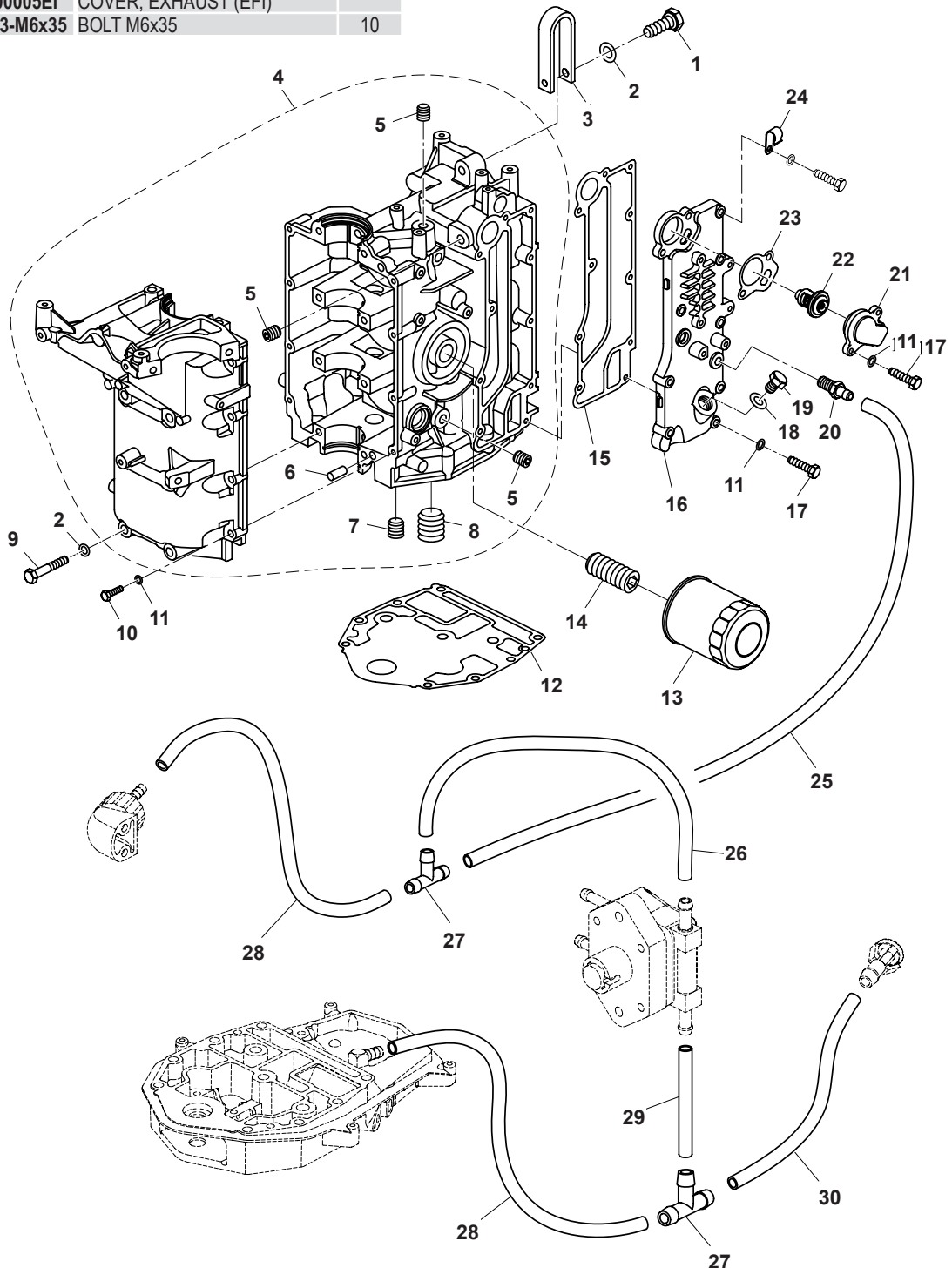
CAMBIO 2 / CONTROL SYSTEM 2 / CALANDRA 2

N°	Ref.	Description	Quantity	N°	Ref.	Description	Quantity
1	PAF40-05000016W	TIE-IN, CONTROL CABLE	1	14	PAF25-03030003W	ROCKER B, STOPPER	1
2	PAF25-07000005W	TIE-IN, CONTROL CABLE	1	15	PAGB/T879. 2-3x20	COLUMNIFORM PIN Ø3x20	1
3	PAF25-070000200W	CONTROL CABLE ASSY	2	16	PAF25-07000006W	THIN LOCKNUT	2
4	PAF25-07000003W	PLATE, RINGENT	1	17	PAGB/T97.1-10	WASHER 10	5
5	PAGB/T96-5	BIG WASHER 5	2	18	PAF25-01000007W	PLATE	1
6	PAF15-00000012	CLIP SPRING Ø1.8	3	19	PAGB/T889.2-M10x1.25	THIN LOCKNUT M10x1.25	2
7	PAGB/T5783-M6x25	BOLT M6x25	1	20	PAJASO F404 24-016	O-RING	1
8	PAGB/T5287-6	SUPPER WASHER 6	1	21	PAF25-01010012W	NUT, PLASTIC	1
9	PAF25-03000027W	PLATE, SHIFT	1	22	PAF25-070000301W	LINK ROD, TURNING	1
10	PAF25-03000028W	BUSH, LIMITED PLATE	1	23	PAF25-070000304W	NUT 3/8"	1
11	PAF25-05160002	CLIP SPRING Ø1	1	24	PAF25-070000303W	TUBE, BOLT	1
12	PAF25-03030004W	LINK ROD B, SHIFT	1	25	PAF25-070000302W	BOLT	1
13	PAF40-05000015W	PLATE, STEEL CABLE	1	26	PAF25-070000300W	LINK ROD ASSY	1



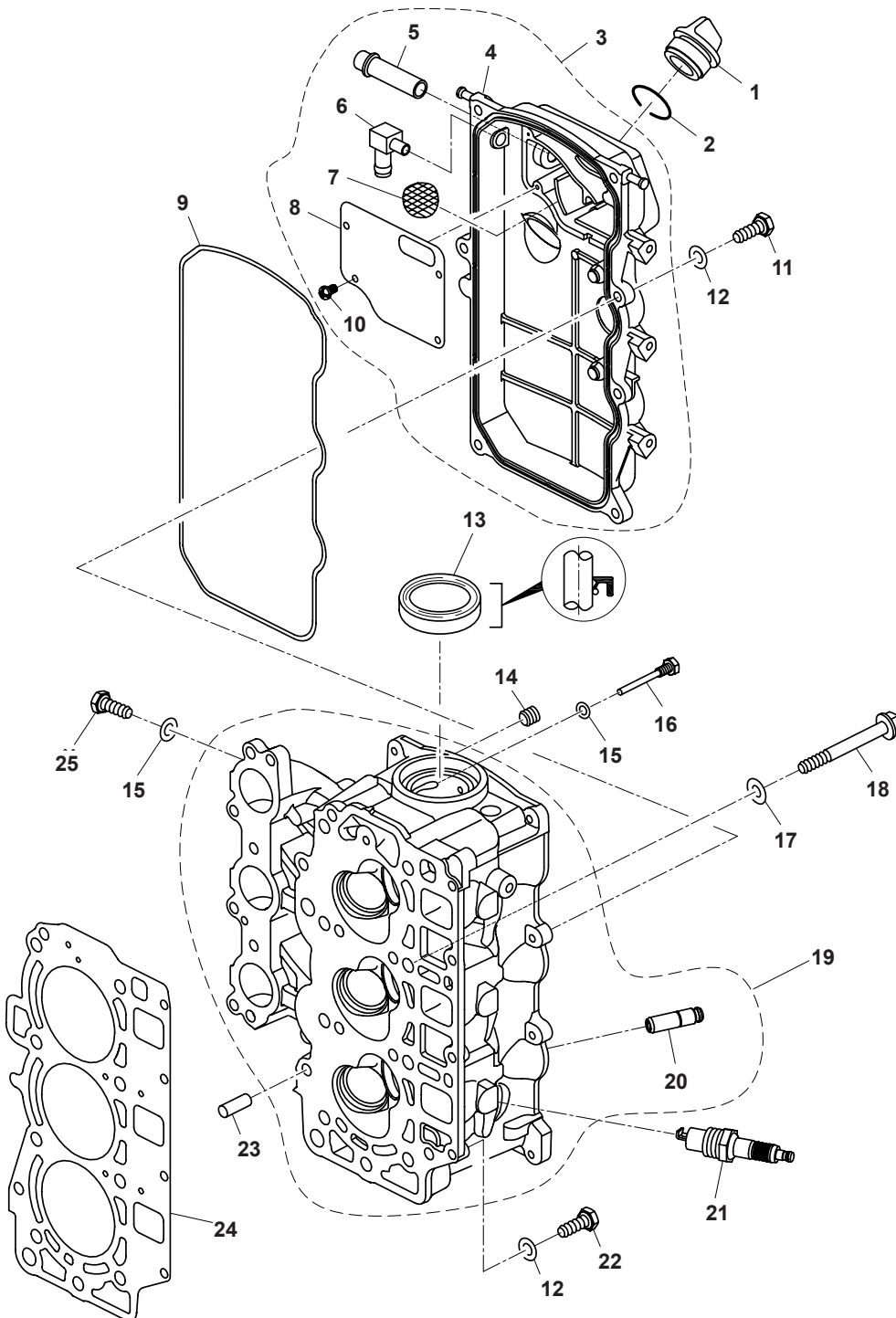
BLOQUE / CRANKCASE / BLOCCO

N°	Ref.	Description	Quantity	N°	Ref.	Description	Quantity
1	PAGB/T5783-M8x35	BOLT M8x35	1	18	PAF40-05000038	GASKET, JAM	1
2	PAGB/T97.1-8	WASHER 8	9	19	PAF40-05000037	JAM M18x1.5	1
3	PAF40-05000011	POTHOOK, ENGINE	1	20	PAF25-05010113	JOINT, WATER NIPPLE	1
4	PAF40-05010000	CRANKCASE ASSY	1	21	PAF15-07010021	COVER, THERMOSTAT	1
5	PAF15-07010004	JAM 1/8"	4	22	PAF15-07000031	THERMOSTAT (S60)	1
6	PAF25-00000014	DOWEL PIN Ø8x12	2	23	PAF15-07010022	GASKET, THERMOSTAT	1
7	PAF25-05010104	JAM 1/2"	1	24	PAF40-05000003	CLAMP	1
8	PAF25-05010103	JAM 3/4"	1	25	PAF40-05000022	WATER PIPE A Ø6 x Ø11 x 280	1
9	PAF25-05000035	BOLT M8x80	8	26	PAF40-05000053	WATER PIPE B Ø6 x Ø11 x 330	1
10	PAF15-07000030	BOLT M6x35	8	27	PAF40-03000016	THREE WAY	2
11	PAGB/T97.1-6	WASHER 6	18	28	PAF40-03000004	WATER PIPE F	1
12	PAF40-00000003	GASKET, ENGINE	1	29	PAF40-03000002	WATER PIPE C Ø6 x Ø11 x 170	1
13	PAF25-05000100	OIL FILTER	1	30	PAF40-03000003	WATER PIPE D Ø6 x Ø11 x 230	1
14	PAF15-07010003	STUD SCREW M20x1.5x35	1				
15	PAF40-05000004	GASKET, EXHAUST COVER	1				
16	PAF40-05000005EI	COVER, EXHAUST (EFI)					
17	PAGB/T5783-M6x35	BOLT M6x35	10				



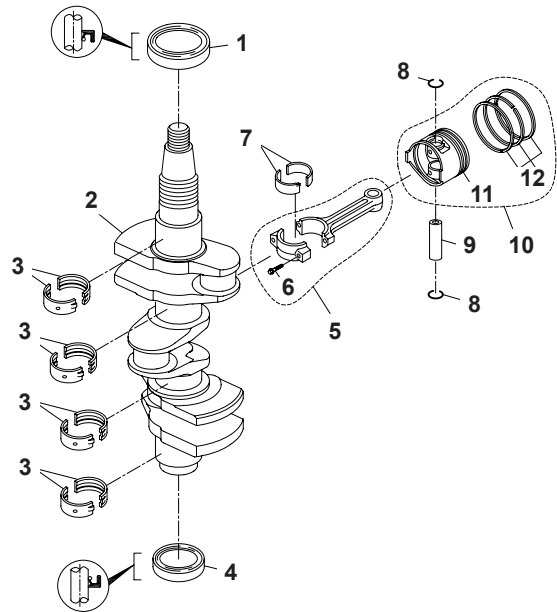
CULATA / CYLINDER HEAD / TESTATA

N°	Ref.	Description	Quantity	N°	Ref.	Description	Quantity
1	PAF15-07050004	FILLER CAP, ENGINE OIL	1	14	PAF15-07010005	PLUG 1/4"	5
2	PAJASO F404 35 025	O-RING	1	15	PAF25-05050007	WASHER, LIMITING BOLT	4
3	PAF40-05070000	COVER ASSY, CYLINDER HEAD	1	16	PAF25-05050006	LIMITING BOLT, CAMSHAFT	1
4	PAF40-05070001	COVER, CYLINDER HEAD	1	17	PAF25-05000003	WASHER 9	8
5	PAF40-05070002	CONNECTOR, BREATHER	1	18	PAF25-05000002	BOLT M9x1.25	8
6	PAF25-02010003	CONNECTOR B, GAS PIPE	1	19	PAF40-05040100EI	CYLINDER HEAD ASSY (EFI)	
7	PAF40-05070004	SIEVE NET	1	20	PAF15-07040104	GUIDE, V ALVE	6
8	PAF40-05070003	PLATE, BREATHER	1	21	PAF20-05000037	SPARK PLUG DPR7EA-9	3
9	PAF40-05000002	SEAL, CYLINDER HEAD	1	22	PAF8-05000022	BOLT M6x25	4
10	PAGB/T818-M4x10	SCREW M4x10	4	23	PAF25-00000014	DOWEL PIN 8x12	2
11	PAGB/T5783-M6x20	BOLT M6x20	7	24	PAF40-05030000	GASKET ASSY, CYLINDER HEAD	1
12	PAGB/T97.1-6	WASHER 6	11	25	PAGB/T5783-M6x10	BOLT M6x10	3
13	PAF25-05050021	OIL SEAL, CAMSHAFT	1				



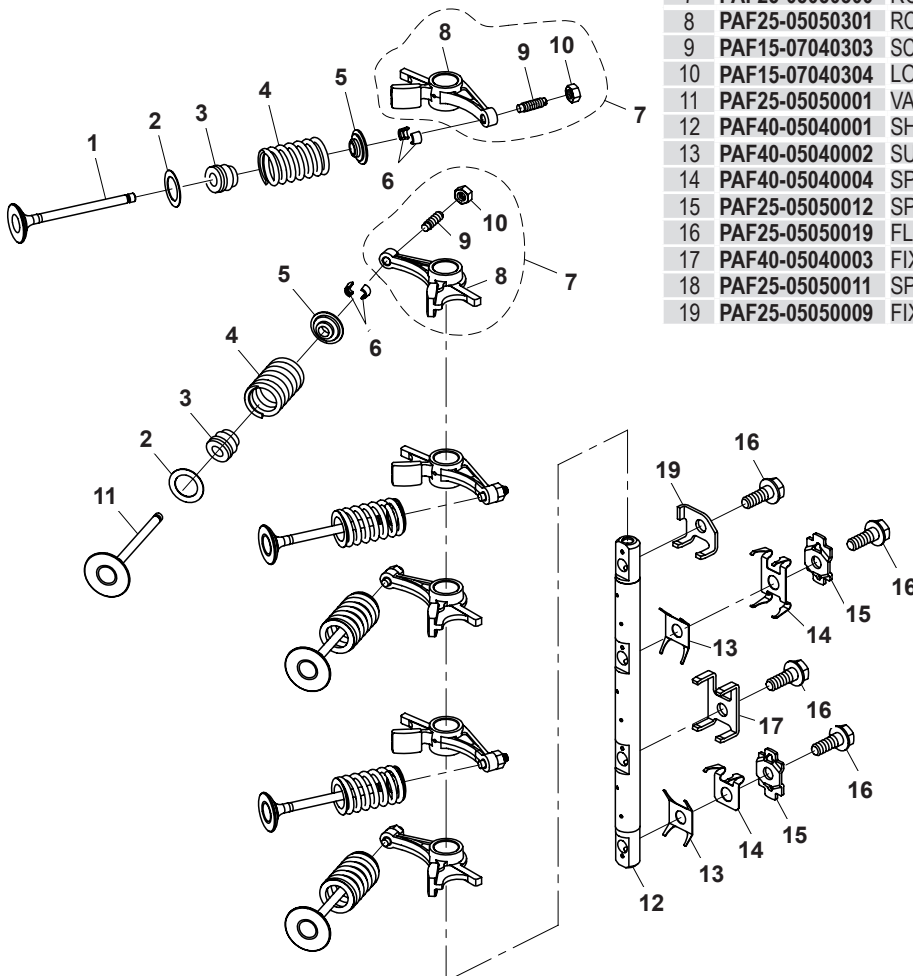
CIGÜEÑAL Y PISTONES / CRANKSHAFT & PISTON ALBERO MOTORE E PISTONE

Nº	Ref.	Description	Qty
1	PAF25-05020003	OIL SEAL B	1
2	PAF40-05000001	CRANKSHAFT	1
3	PAF25-05010302-1	BEARING SHELL, CRANKSHAFT (BLACK)	8
3	PAF25-05010302-2	BEARING SHELL, CRANKSHAFT (BROWN)	
4	PAF25-05020002	OIL SEAL A	1
5	PAF25-05020200	CONNECTING ROD ASSY	3
6	PAF25-05020204	BOLT, CONNECTING ROD	6
7	PAF25-05020203-1	BEARING SHELL, CONNECTING ROD (BLACK)	6
7	PAF25-05020203-2	BEARING SHELL, CONNECTING ROD (BROWN)	
8	PAF25-05020106	CIRCLIP, PISTON PIN	6
9	PAF25-05020105	PIN, PISTON	3
10	PAF40-05020100	PISTON ASSY	3
11	PAF40-05020101	PISTON	3
12	PAF25-05020102	PISTON RING ASSY	3



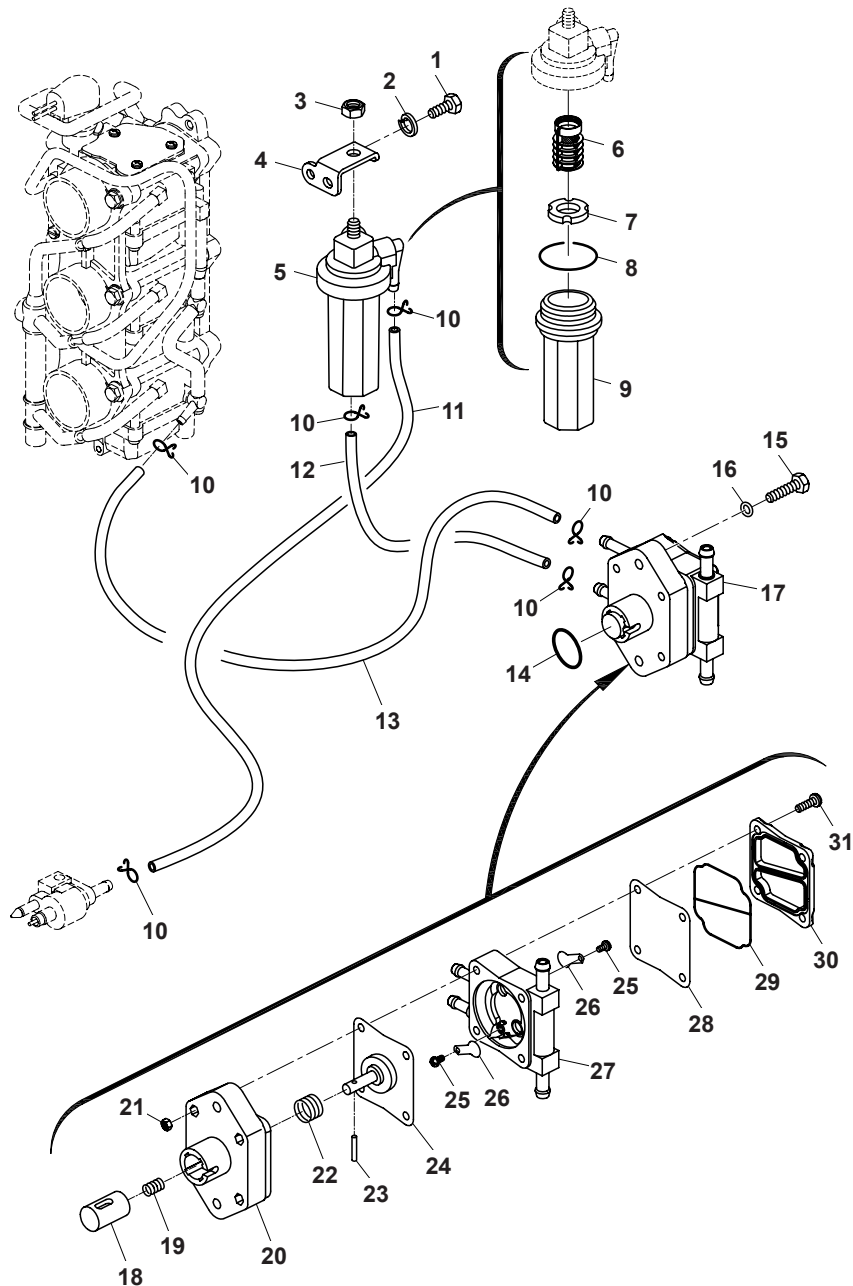
VÁLVULA / VALVE / VALVOLA

Nº	Ref.	Description	Qty
1	PAF25-05050002	VALVE, EXHAUST	3
2	PAF25-05050003	WASHER, VALVE SPRING	6
3	PS2700.04.03	SEAL, VALVE STEM	6
4	PAF25-05050005	SPRING, VALVE	6
5	PAF15-07040006	RETAINER, VALVE SPRING	6
6	PAF15-07040007	COTTER, VALVE SPRING	12
7	PAF25-05050300	ROCKER ASSY	6
8	PAF25-05050301	ROCKER	6
9	PAF15-07040303	SCREW, VALVE ADJUSTING	6
10	PAF15-07040304	LOCK NUT	6
11	PAF25-05050001	VALVE, INTAKE	3
12	PAF40-05040001	SHAFT, ROCKER	1
13	PAF40-05040002	SUPPORTING PLATE, SPRING PLATE	2
14	PAF40-05040004	SPRING PLATE A, ROCKER	1
15	PAF25-05050012	SPRING PLATE B, ROCKER	2
16	PAF25-05050019	FLANGE BOLT, ROCKER SHAFT	4
17	PAF40-05040003	FIXED PLATE B, ROCKER SHAFT	1
18	PAF25-05050011	SPRING PLATE, ROCKER	1
19	PAF25-05050009	FIXED PLATE A, ROCKER SHAFT	1



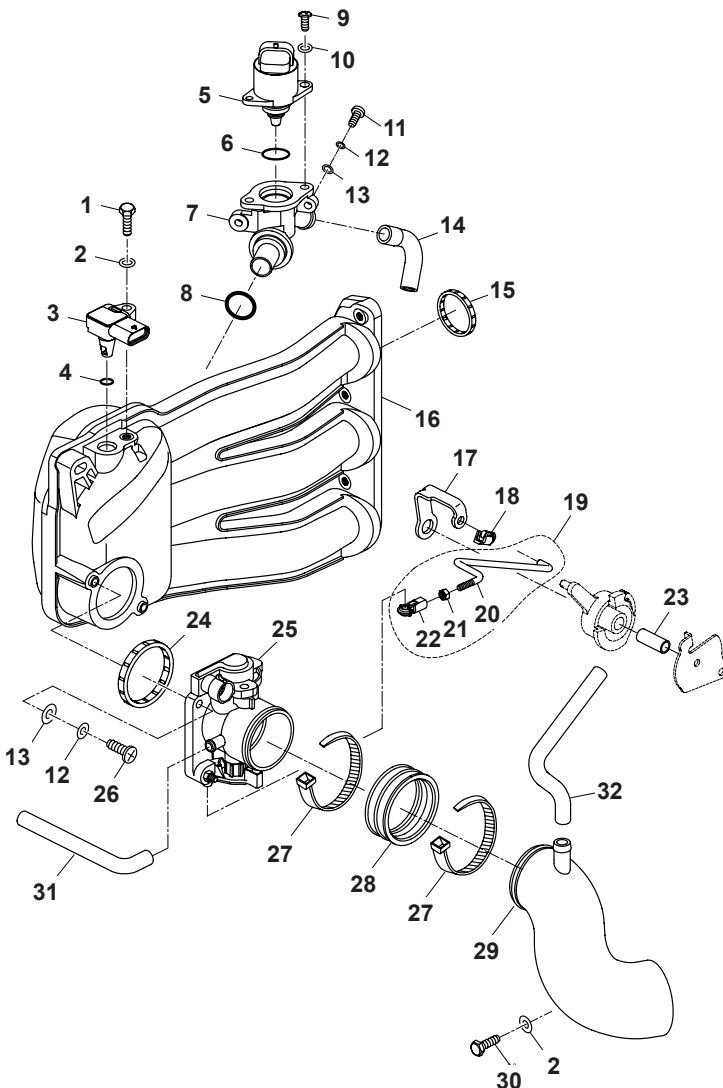
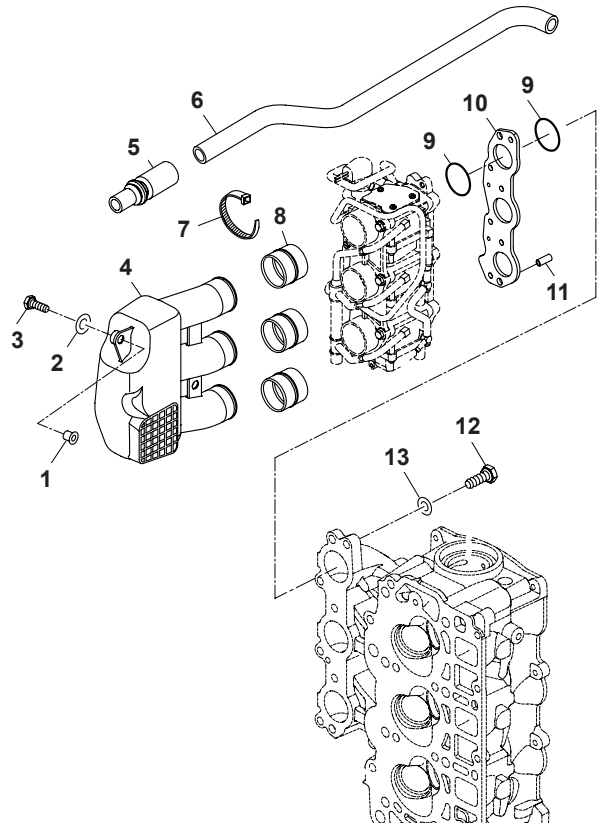
BOMBA COMBUSTIBILE / FUEL SYSTEM / POMPA BENZINA

N°	Ref.	Description	Quantity	N°	Ref.	Description	Quantity
1	PAGB/T5783-M6x14	BOLT M6x14	1	18	PAF25-05130004	PLUNGER	1
2	PAGB/T93-6	SPRING-WASHER 6	1	19	PAF25-05130003	SPRING, PLUNGER	1
3	PAGB/T6170-M8	NUT M8	1	20	PAF25-05130001	SEAT, FUEL PUMP	1
4	PAF40-05000036	BRACKET, FILTER CUP	1	21	PAGB/T6170-M5	NUT M5	4
5	PAT85-05000300	FILTBR CUP ASSY	1	22	PAF25-05130002	SPRING, DIAPHRAGM	1
6	PAF15-07080001	ELEMENT, FILTER	1	23	PAF25-05130008	ROLLER NEEDLE Ø4x16.5	1
7	PAT85-05000302	FLOATER	1	24	PAF25-05130100	DIAPHRAGM SHAFT ASSY	1
8	PAGB/T3452.1Ø32.5x1.8	SEAL, FILTER CUP	1	25	PAF4-04090011	SCREW M3x6	2
9	PAT85-05000301	CUP, FILTER	1	26	PAF4-04090005	UNILATERAL PLATE	2
10	PAF4-04000030	SPRING, FUEL PIPE B	6	27	PAF40-05050200	FUEL PUMP SHELL ASSY	1
11	PAF40-03000005EI	FUPL PIPE A Ø5 x 10 x 720 (EFI)	1	28	PAF25-05130005	UPPER DIAPHRAGM	1
12	PAF40-05000021EI	FUEL PIPE (EFFI)	1	29	PAF25-05130006	SEAL, FUEL PUMP	1
13	PAF40-05000019	FUEL PIPE B Ø5 x 10 x 400	1	30	PAF25-05130007	COVER, FUEL PUMP	1
14	PAGB/T3452.1-25x3.0	O-RING 25x3.0	1	31	PAGB/T818-M5x40	SCREW, PAN HEAD M5x40	4
15	PAGB/T5783-M6x30	BOLT M6x30	2				
16	PAGB/T97.1-6	WASHER 6	2				
17	PAF40-05050000	FUEL PUMP ASSY	1				



ADMISIÓN / INTAKE / ASPIRAZIONE

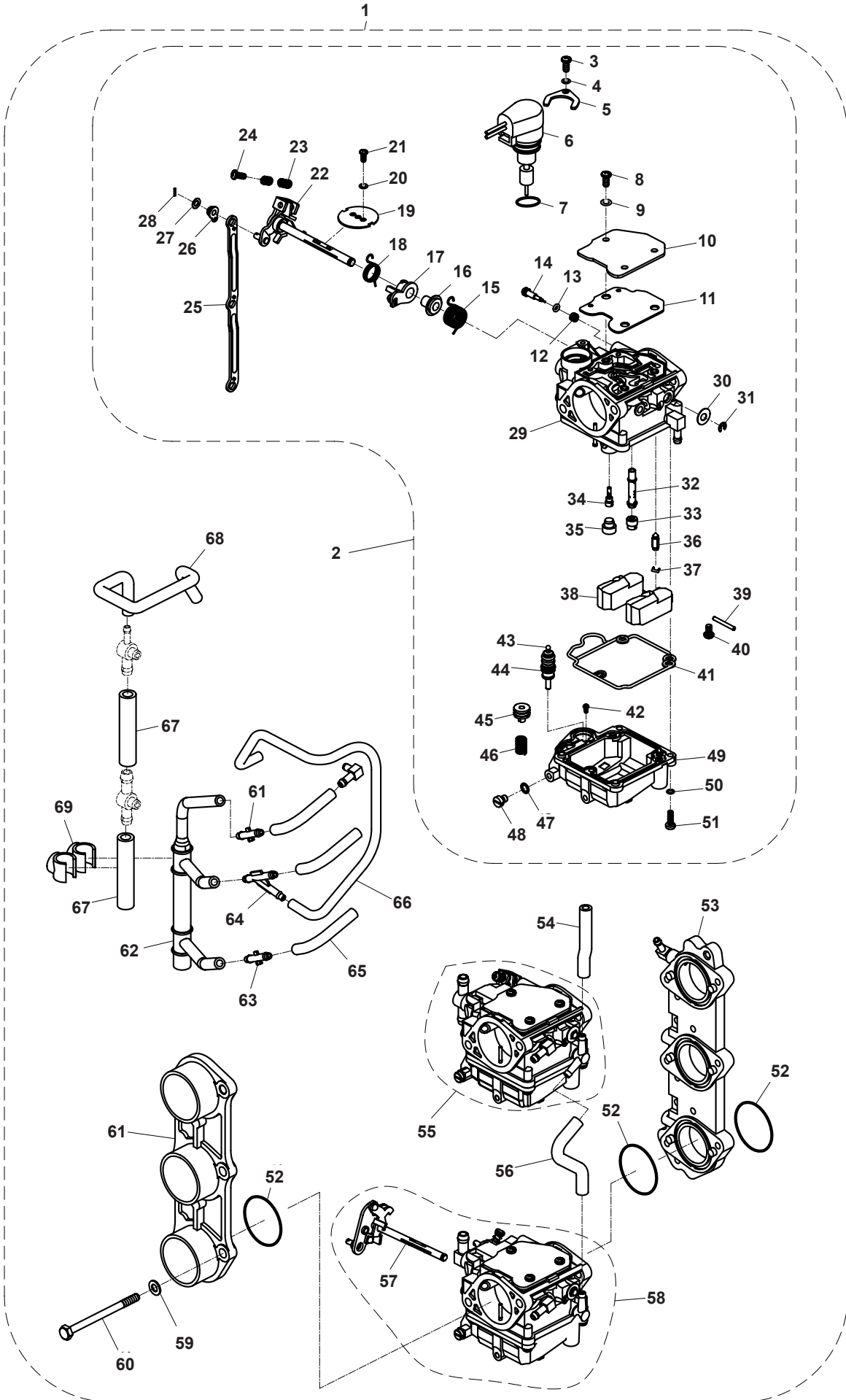
Nº	Ref.	Description	Quantity
1	PAF40-05000025	FLANGE BUSHING B	1
2	PAGB/T96-6	BIG WASHER 6	1
3	PAGB/T5783-M6x20	BOLT M6x20	1
4	PAF40-05000024	INTAKE SILENCER	1
5	PAF40-05000026	RUBBER JACKET, SHAPED PIPE	1
6	PAF40-05000027	SHAPED PIPE, FABRIC	1
7	PAHT4.5x200	CLAMP 4.5 x 200	6
8	PAF40-05000023	RUBBER JACKET, INTAKB SILENCER	3
9	PAGB/T3452.1-34.4x1.8	O-RING 34.4 x 1.8	6
10	PAF40-05000013	PADDING BLOCK, CARBURETOR	1
11	PAF40-05000014	DOWEL PIN 8 x 15.8	2
12	PAGB/T5783-M6x25	BOLT M6 x 25	6
13	PAGB/T97.1-6	WASHER 6	6



Nº	Ref.	Description	Quantity
1	PAGB/T5783-M6x20	BOLT M6x20	1
2	PAGB/T97.1-6	WASHER 6	3
3	PAF40-05090600E1	SENSOR, INTAKE TEMPERATURE	1
4	PAF40-05090601E1	O-RING, TEMP. SENSOR	1
5	PAF40-05090503E1	STEP MOTOR	1
6	PAF40-05090503-1E1	O-RING, STEP MOTOR	1
7	PAF40-05090501E1	IDLE CONTROL	1
8	PAF40-05090602E1	O-RING, IDLE CONTROL	1
9	PAGB/T818-M4x10	BOLT M4x10	2
10	PAGB/T97.1-4	WASHER 4	2
11	PAGB/T818-M5x14	BOLT M5x14	2
12	PAGB/T93-5	SPRING WASHER 5	4
13	PAGB/T97.1-5	WASHER 5	4
14	PAF40-05000026E1	IDLE CONTROL PIPE	1
15	PAF40-05090803E1	SEAL, INTAKE SILENCER	3
16	PAF40-05090800E1	INTAKE SILENCER ASSY	1
17	PAF40-05000039E1	ACTUATOR, THROTTLE	1
18	PAF15-07130314W	JOIN, CHOKE	1
19	PAF40-05000900E1	LINK ROD ASSY, ACCELERATOR	1
20	PAF40-05000901E1	LINK ROD, ACCELERATOR	1
21	PAGB/T6170-M5	NUT M5	1
22	PAT20-06050302	JOIN B, LINK ROD	1
23	PAF40-05000016E1	BUSHING, ACCELEROGRAPH	1
24	PAF40-05090403E1	SEAL, THROTTLE VALVE	1
25	PAF40-05090400E1	THROTTLE VALVE ASSY	1
26	PAGB/T818-M5x20	BOLT M5x20	2
27	PAHT4.0x300	CLAMP 4.0x300	2
28	PAF40-05090408E1	RUBBER BOOT, THROTTLE VALVE	1
29	PAF40-05000064E1	CONDUIT, THROTTLE VALVE	1
30	PAGB/T5783-M6x14	BOLT M6x14	1
31	PAF40-05000050E1	AIR PIPE A	1
32	PAF40-05000048E1	AIR PIPE	1

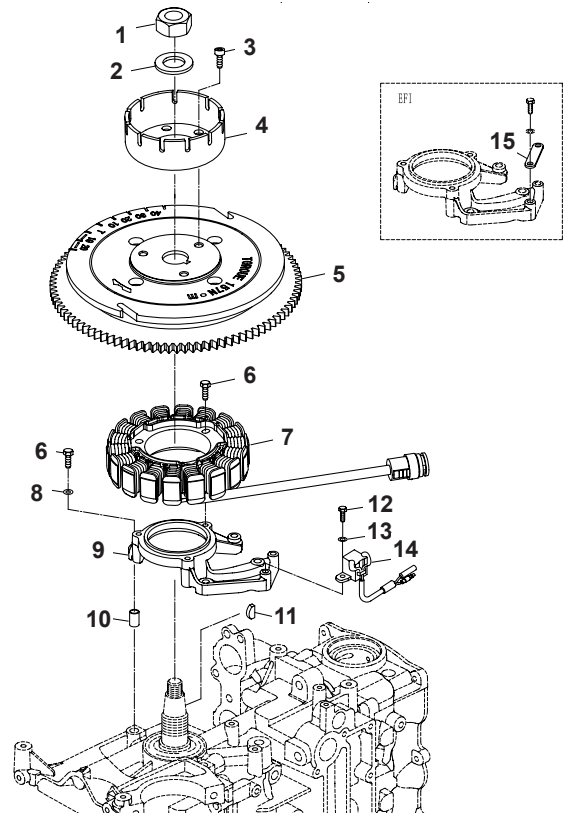
CARBURADOR / CARBURETOR ASSY / CARBURATORE

N°	Ref.	Description	Quantity
1	PAF40-05060000	CARBURETOR ASSY	1
2	PAF40-05061000	CARBURETOR A	1
3	PAGB/T818-M4x8	SCREW M4x8	1
4	PAGB/T93-4	SPRING-WASHER 4	1
5	PAF40-05061402	ENRCHING VALVE PLATE	1
6	PAF40-05061400	ENRCHING VALVE ASSY	1
7	PAF40-05061401	ENRCHING VALVE O-RING	1
8	PAGB/T818-M4x10	SCREW M4x10	9
9	PAGB/T93-4	SPRING-WASHER 4	9
10	PAF40-05061001	PLATE	3
11	PAF40-05061002	PLATE HERMETIC MAT	3
12	PAF40-05061019	SPRING, AIR ADJUSTING	3
13	PAF40-05061020	SCREW, AIR ADJUSTING O-RING	3
14	PAF40-05061021	SCREW, AIR ADJUSTING	3
15	PAF40-05061006	SPRING, SWING LINK	3
16	PAF40-05061005	ENRCHING VALVE TUBE	3
17	PAF40-05061004	ENRCHING VALVE FINGER	3
18	PAF40-05061003	ENRCHING VALVE SPRING	3
19	PAF40-05061007	APRON, ACCELERATOR	3
20	PAGB/T93-3	SPRING-WASHER 3	6
21	PAGB/T818-M3x6	SCREW M3x6	6
23	PAF40-05061203	BOLT SPRING, THROTTLE	
24	PAGB/T818-M4x10	SCREW M4x10	3
25	PAF40-05061200	CONNECTING ROD, ACCELERATOR	1
26	PAF40-05060004	WASHER NYLON	3
27	PAGB/T97.1-4	WASHER 4	3
28	PAGB/T91-1.2x10	PIN, COTTER 1.2x10	3
29	PAF40-05061100	CARBURETOR BODY	1
30	PAF40-05061008	WASHER OSCILLATING BAR	3
31	PAGB/T896-6	CIRCLIP 6	3
32	PAF40-05061015	MIAN NOZZLE	3
33	PAF40-05061016	MAIN JET	3
34	PAF40-05061017	JET, AIR ADJUSTING	3
35	PAF40-05061018	RUBBER CAP	3
36	PAF40-05061011	NEDDLE VALVE	3
37	PAF40-05061012	SPRING, NEDDLE VALVE	3
38	PAF40-05061013	FLOAT	3
39	PAF40-05061014	PIN, FLOAT	3
40	PAGB/T818-M4x8	SCREW M4x8	3
41	PAF40-05061014	SEAL, OIL CUP	3
42	PAGB/T818-M2X3	SCREW M2x3	3
43	PAF40-05061009	ENRCHING VALVE EJECTOR ROB	3
44	PAF40-05061010	ENRCHING VALVE MOREEN	3
45	PAF40-05061303	ENRCHING VALVE PLENGER	3
46	PAF40-05061304	ENRCHING VALVE SPRING	3
47	PAF40-05061306	GASKET, DRAIN SCREW	3
48	PAF40-05061305	DRAIN SCREW	3
49	PAF40-05061300	OIL CUP	3
50	PAGB/T93-4	SPRING-WASHER	12
51	PAGB/T818-M4x14	SCREW M4x14	12
52	PAGB/T3452.1-34.4X1.8	O-RING 34.4x1.8	9
53	PAF40-05060001	CARBURETOR ABUTMENT	1
54	PAF40-05060014	PIPING OIL B	1
55	PAF40-0506200	CARBURETOR B	1
56	PAF40-05060013	PIPING OIL A	1
57	PAF40-05063200	ACCELERATOR BAR ASSY C	1
58	PAF40-05063000	CARBURETOR C	1
59	PAGB/T97.1-6	WASHER 6	6
60	PAGB/T5782-M6X90	BOLT M6x90	6
61	PAF40-05060002	CARBURETOR INSPIRATION SOCKET	1
62	PAF40-05060007	INSPIRATION OIL	1
63	PAF40-05060011	INSPIRATION JOINT A	2
64	PAF40-05060012	INSPIRATION JOINT B	1
65	PAF40-05060008	INSPIRATION OIL A	3
66	PAF40-05060009	INSPIRATION OIL B	1
67	PAF40-05060006	FUEL LINE B	2
68	PAF40-05060005	FUEL LINE A	1
69	PAF40-05060010	OIL PLASTIC NIP	1

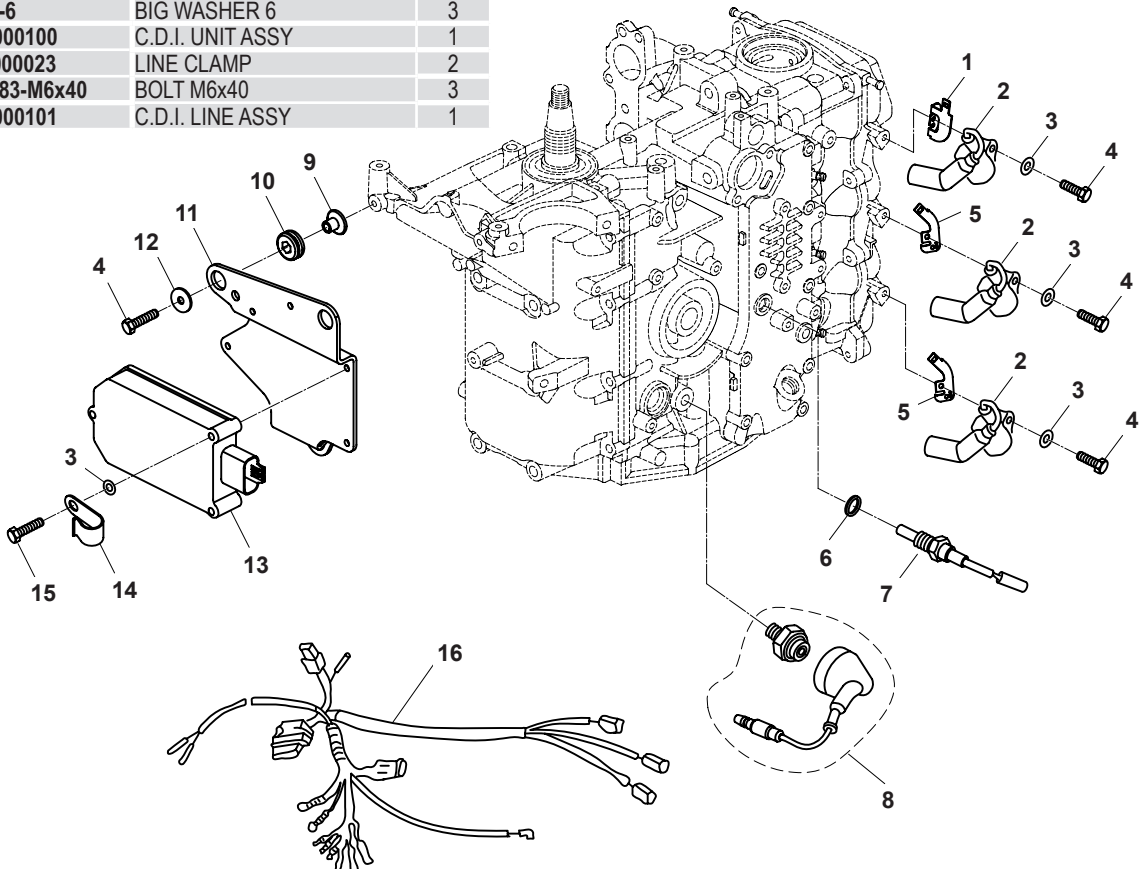


ELECTRICIDAD 1 / ELECTRICAL 1 / PARTE ELETTRICA 1

Nº	Ref.	Description	Quantity
1	PAF25-05000026	FLYWHEEL NUT	1
2	PAF25-05000025	WASHER, FLYWHEEL NUT	1
3	PAGB/T70.1-M8x12	BOLT M8x12	3
4	PAF40-05000010	PULLBY, STARTER	1
5	PAF40-05000700	FLYWHEEL	1
5	PAF40-05000700BI	FLYWHEEL (EFI)	
6	PAGB/T5783-M6x30	BOLT M6x30	7
7	PAF40-05000600EI	MAGNETO COIL ASSY (EFI)	
8	PAGB/T97.1-6	WASHER 6	4
9	PAF40-05000034	BRACKET, COIL	1
10	PAF8-00000005	DOWEL PIN 8x10	2
11	PAF25-05000024	WOODRUFF KEY, FLYWHEEL	1
12	PAGB/T5783-M5x16	BOLT M5x16	2
13	PAGB/T97.1-5	WASHER 5	2
14	PAF40-05000300	PULSER COIL ASSY	1
15	PAT85-05040004	PLATE B, PULSER COIL (EFI)	1

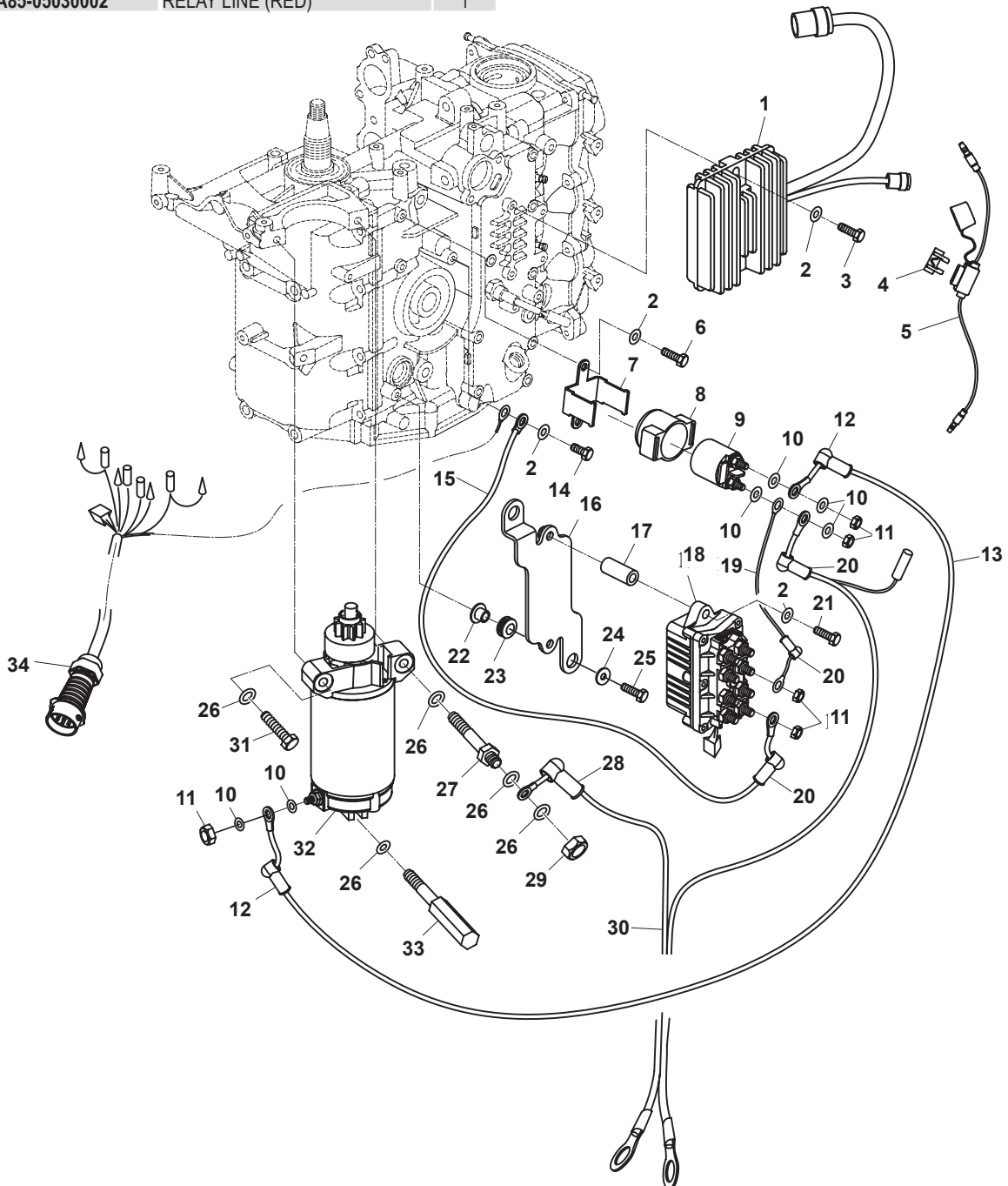


Nº	Ref.	Description	Quantity
1	PAF40-05000029	IGNITION COLL BRACKET A	1
2	PAF40-05000200	IGNITION COLL ASSY	3
3	PAGB/T97.1-6	WASHER 6	6
4	PAGB/T5783-M6x25	BOLT M6x25	6
5	PAF40-05000030	IGNITION COLL BRACKET B	2
6	PAGB/T3452.1-Ø8xØ1.9	O-RING Ø8xØ1.9	1
7	PAF40-05000400	THERMOSTAT ASSY	1
8	PAF40-05000042EI	OIL PRESSURE SENSER	1
9	PAF25-05090005	BUSH, IGNITION UNIT	3
10	PAF25-05090004	BUSH, DAMPING	3
11	PAF40-05000009	BRACKET, IGNITION UNIT	1
12	PAGB/T96-6	BIG WASHER 6	3
13	PAF40-05000100	C.D.I. UNIT ASSY	1
14	PAT36-04000023	LINE CLAMP	2
15	PAGB/T5783-M6x40	BOLT M6x40	3
16	PAF40-05000101	C.D.I. LINE ASSY	1



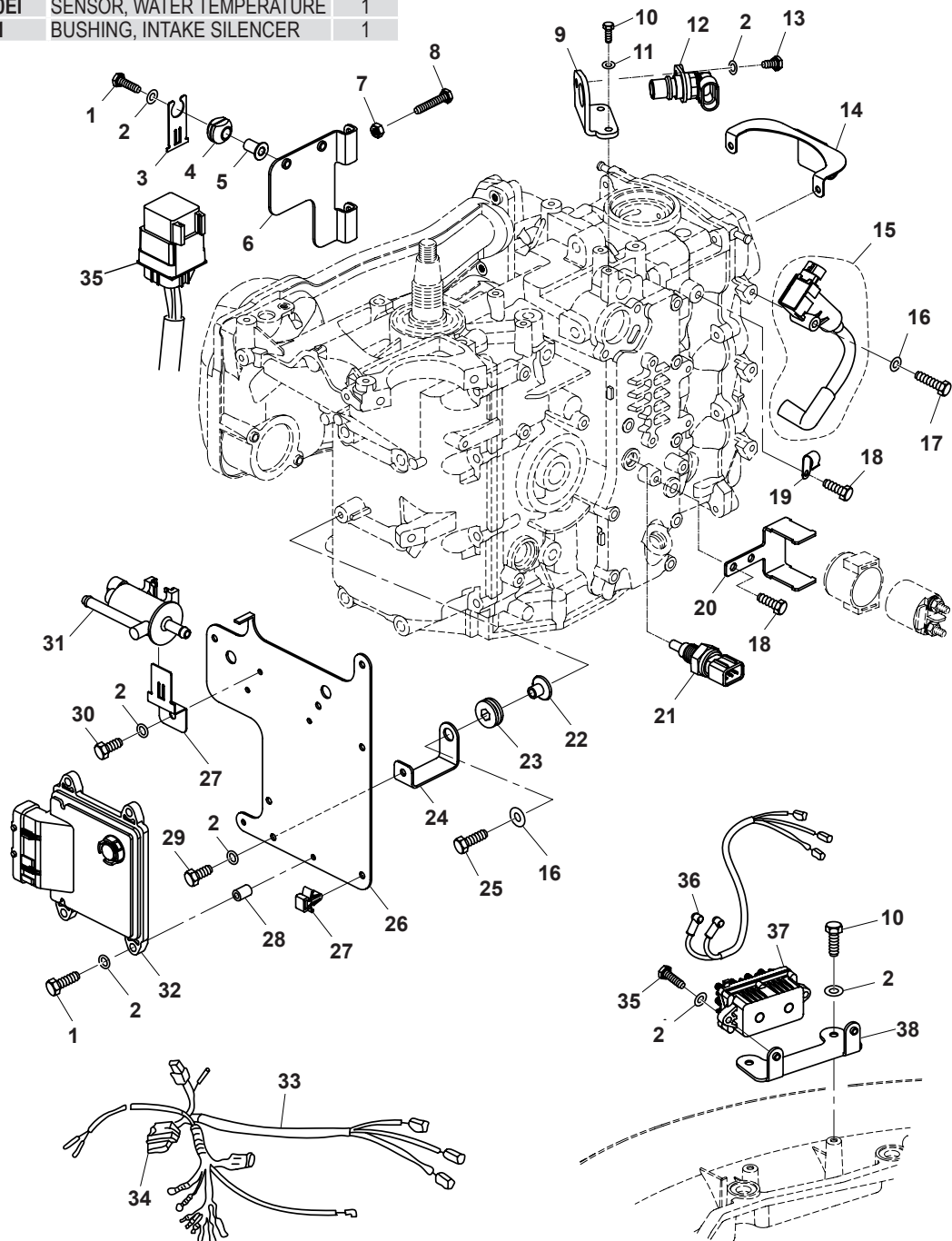
ELECTRICIDAD 2 / ELECTRICAL 2 / PARTE ELETTRICA 2

Nº	Ref.	Description	Quantity	Nº	Ref.	Description	Quantity
1	PAF40-05000500EI	RECTIFIER ASSY (EFI)		20	PAF25-05170202W	JACKET, CONNECT LINE	5
2	PAGB/T97.1-6	WASHER 6	9	21	PAGB/T5783-M6x35	BOLT M6x35	2
3	PAGB/T5783-M6x30	BOLT M6x30	2	22	PAF20-05000903W	BUSH	2
4	PAF15-07150001W	FUSE WIRE (20A)	1	23	PAF20-05000902W	DAMPER, BUSH	2
5	PAF25-05090100W	FUSE ASSY	1	24	PAGB/T96-6	WASHER 6	2
6	PAGB/T5783-M6x16	BOLT M6x16	2	25	PAGB/T5783-M6x20	BOLT M6x20	2
7	PAF25-07150302W	BRACKET, RELAY	1	26	PAGB/T97.1-8	WASHER 8	5
8	PAF15-07150301W	JACKET, RELAY	1	27	PAF25-05170001W	FIXATION BOLT, MOTOR	1
9	PAF15-07150300W	RELAY, MOTOR	1	28	PAF25-05170101W	JACKET	1
10	PAGB/T97.1-6	WASHER 6 (COPPER) (HSn62-1)	6	29	PAGB/T6171-M8	NUT M8	1
11	PAGB/T6170-M6	NUT M6 (COPPER) (HSn62-1)	5	30	PAT85-05000023	CONNECTION LINE, POWER	1
12	PAF25-05170201W	JACKET A	2	31	PAGB/T5783-M8x50	BOLT M8x50	1
13	PAT85-05000022	CONNECTION LINE, MOTOR	1	32	PAF40-05000800	STARTING MOTOR	1
14	PAGB/T5783-M6x12	BOLT M6x12	2	33	PAF25-05170002W	COLUMNAR BOLT M8	1
15	PAF40-05030005	RELAY LINE	1	34	PAF40-05030500EI	C.D.I CABLE ASSY (EFI)	
16	PAF40-05000046	RELAY BRACKET	1				
17	PAF25-05000037	BRACKET BUSH	2				
18	PAT85-05030200	RELAY	1				
19	PA85-05030002	RELAY LINE (RED)	1				



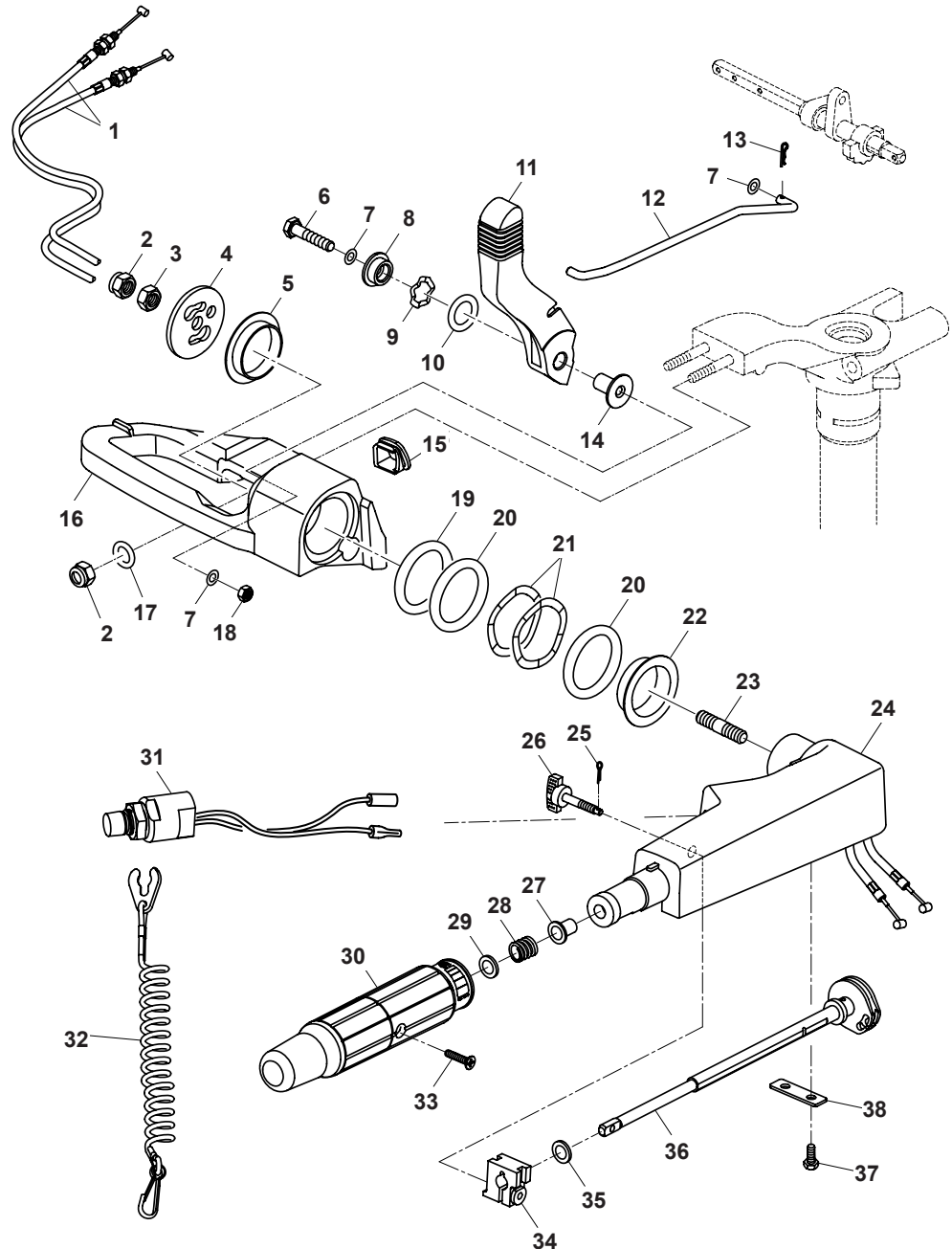
ELECTRICIDAD 3 / ELECTRICAL 3 / PARTE ELETTRICA 3

Nº	Ref.	Description	Quantity	Nº	Ref.	Description	Quantity
1	PAGB/T5783-M6x25	BOLT M6x25	6	23	PAF8-05000007	DAMPER	3
2	PAGB/T97.1-6	WASHER 6	13	24	PAF40-05000009-2EI	BRACKET, FIXED PLATE	1
3	PAF40-05091401EI	BRACKET, MAIN RELAY	2	25	PAGB/T5783-M6x20	BOLT M6x20	5
4	PAF40-05091402EI	DAMPER, MAIN RELAY	2	26	PAF40-05000009-1EI	FIXED PLATE, ECU	1
5	PAT40-05000028	TUBE, IGNITER	2	27	PAF40-05000065EI	CLAMP D	4
6	PAF40-05000060BI	FIXED PLATE, MAIN RELAY	1	28	PAF8-05000006	BUSHING	4
7	PAGB/T6170-M6	NUT M6	2	29	PAGB/T5783-M6x12	BOLT M6x12	2
8	PAGB/T5783-M6x35	BOLT M6x35	2	30	PAF40-05000049EI	FIXED PLATE, MAGNETIC VALVE	1
9	PAF40-05000063EI	PLATE, SENSOR	1	31	PAF40-05091500EI	MAGNETIC VALVE, CARBON POT	1
10	PAGB/T5783-M5x16	BOLT M5x16	2	32	PAF40-05090100EI	ECU	1
11	PAGB/T97.1-5	WASHER 5	2	33	PAF40-05001000EI	C.D.I LINE ASSY	1
12	PAF40-05091600EI	SENSOR, CRANKSHAFT POSITION	1	34	PAF40-05001000-1EI	FUSE WIRE (40A)	1
13	PAGB/T5783-M6x10	BOLT M6x10	1	34	PAF40-05001000-2EI	FUSE WIRE (20A)	1
14	PAF40-05000059EI	CLAMP C	1	34	PAF40-05001000-3EI	FUSB WIRE (ISA)	1
15	PAF40-05090200EI	IGNITION COIL ASSY	3	34	PAF40-05001000-4EI	FUSE WIRE (7.5A)	1
16	PAF8-05000021	WASHER	3	35	PAF40-05091400EI	MAIN RELAY	2
17	PAGB/T5783-M6x40	BOLT M6x40	3	36	PAF40-05001200EI	CONNECTION LINE,TILT	1
18	PAGB/T5783-M6x16	BOLT M6x16	5	37	PAT85-05030200	RELAY ASSY	1
19	PAF40-05000003	CLAMP	1	38	PAF40-03000013EI	FIXED BRACKET, TILT RELAY	1
20	PAF40-05000055EI	BRACKET, RELAY	1				
21	PAF40-05090700EI	SENSOR, WATER TEMPERATURE	1				
22	PAF15-07000021	BUSHING, INTAKE SILENCER	1				



DIRECCIÓN / STEERING / STERZO

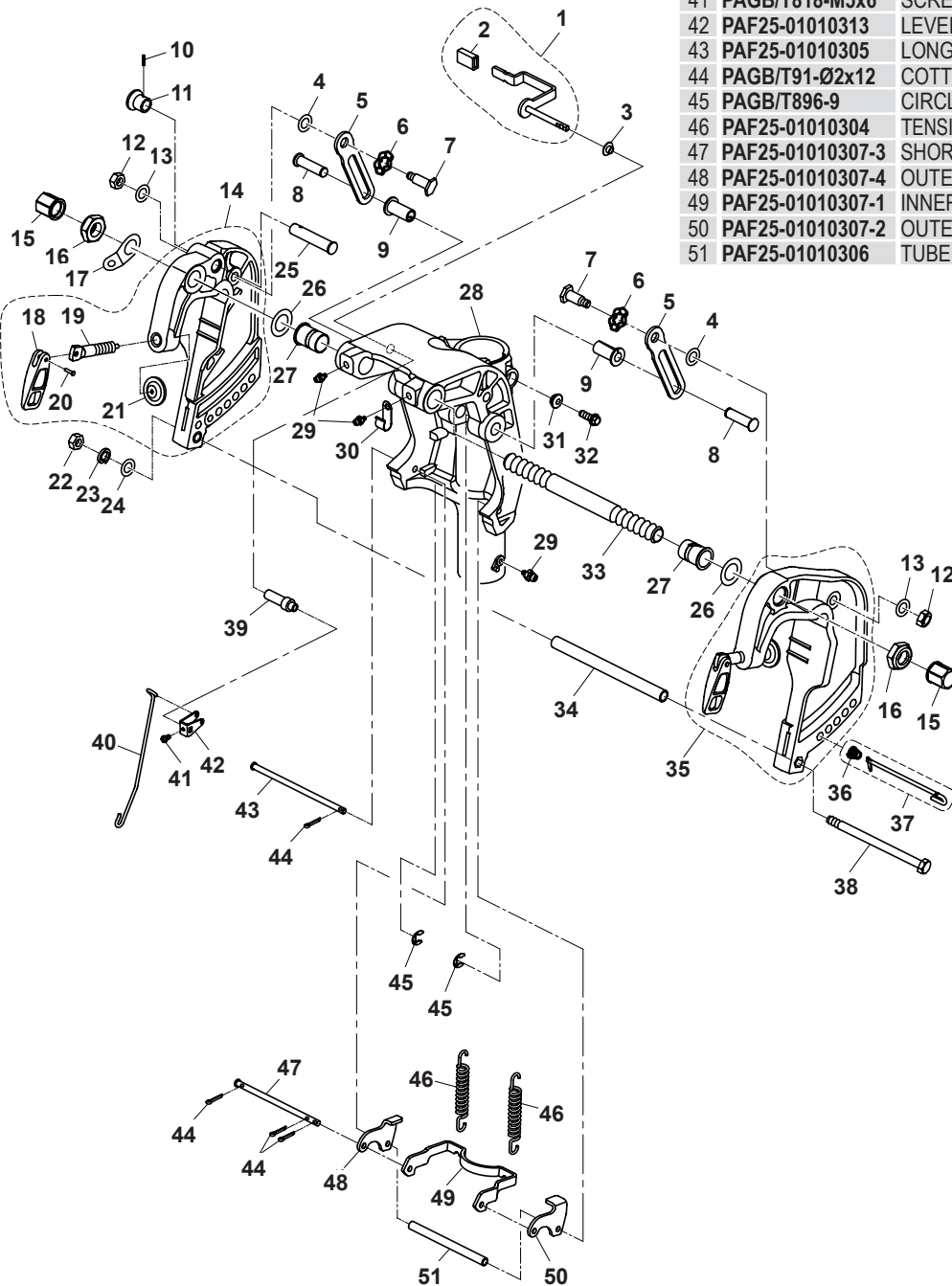
Nº	Ref.	Description	Quantity	Nº	Ref.	Description	Quantity
1	PAF40-01030101	THROTTLE CABLE ASSY	1	20	PAF15-01000008	WASHER, BUSHING	2
2	PAGB/T889.2-M10x1.25	LOCKNUT M10x1.25	3	21	PAF15-01000009	WAVE WASHER, BUSHING	2
3	PAGB/T6170-M10x1.25	NUT M10x1.25	1	22	PAF15-01000007	BUSHING, HANDLE (HIGH)	1
4	PAF15-01000013	ORIENTATION PLATE, HANDLE	1	23	PAF15-01030003	BOLT, DOUBLE HEAD	1
5	PAF15-01000011	BUSHING, HANDLE (LOW)	1	24	PAF15-01030001	HANDLE, STEERING	1
6	PAGB/T5782-M6x45	BOLT M6x45	1	25	PAGB/T91-Ø1.6x12	COTTER PIN Ø1.6x12	1
7	PAGB/T97.1-6	WASHER 6	3	26	PAF15-01030200	BOLT, FRICTION ADJUSTING	1
8	PAT40-00000006	BLOCK, HANDLE	1	27	PAF4-01090006	BUSH	1
9	PAT40-00000005	WAVE WASHER	1	28	PAF4-01090007	SPRING, COMPRESSION	1
10	PAT40-00000004	WASHER, HANDLE	1	29	PAGB/T818-10	SMALL WASHER 10	1
11	PAT40-00000002	HANDLE, GEAR SHIFT	1	30	PAF4-01090300	STEERING HANDLE ASSY	1
12	PAF40-00000001	CONNECTING ROD, GEAR SHIFT	1	31	PAT15-01020003	ENGINE STOP SWITCH ASSY	1
13	PAF15-00000012	CLIP	1		PAF40-01020003BI	ENGINE STOP SWITCH ASSY	
14	PAT40-00000003	FLANGE TUBE	1	32	PAF4-01090401	STOPER, HANG ROPE ASSY	1
15	PAT40-01020001	JACKET, HANDLE BRACKET	1	33	PAGB/T820-M5x25	SCREW, PAN HEAD M5x25	1
16	PAF25-01030001	BRACKET, HANDLE	1	34	PAF4-01090003	FRICTION	1
17	PAGB/T97.1-10	WASHER 10	2	35	PAF4-01090004	NYLON WASHER	1
18	PAGB/T6170-M6	NUT M6	1	36	PAF15-01030100	THROTTLE LEVER ASSY	1
19	PAF15-01000012	NYLON WASHER, BUSHING	1	37	PAGB/T5783-M6x20	BOLT M6x20	2
				38	PAF15-01030005	PLATE, THROTTLE LEVER	1



SOPORTE MOTOR 1 / BRACKET 1 / SUPPORTO MOTORE 1

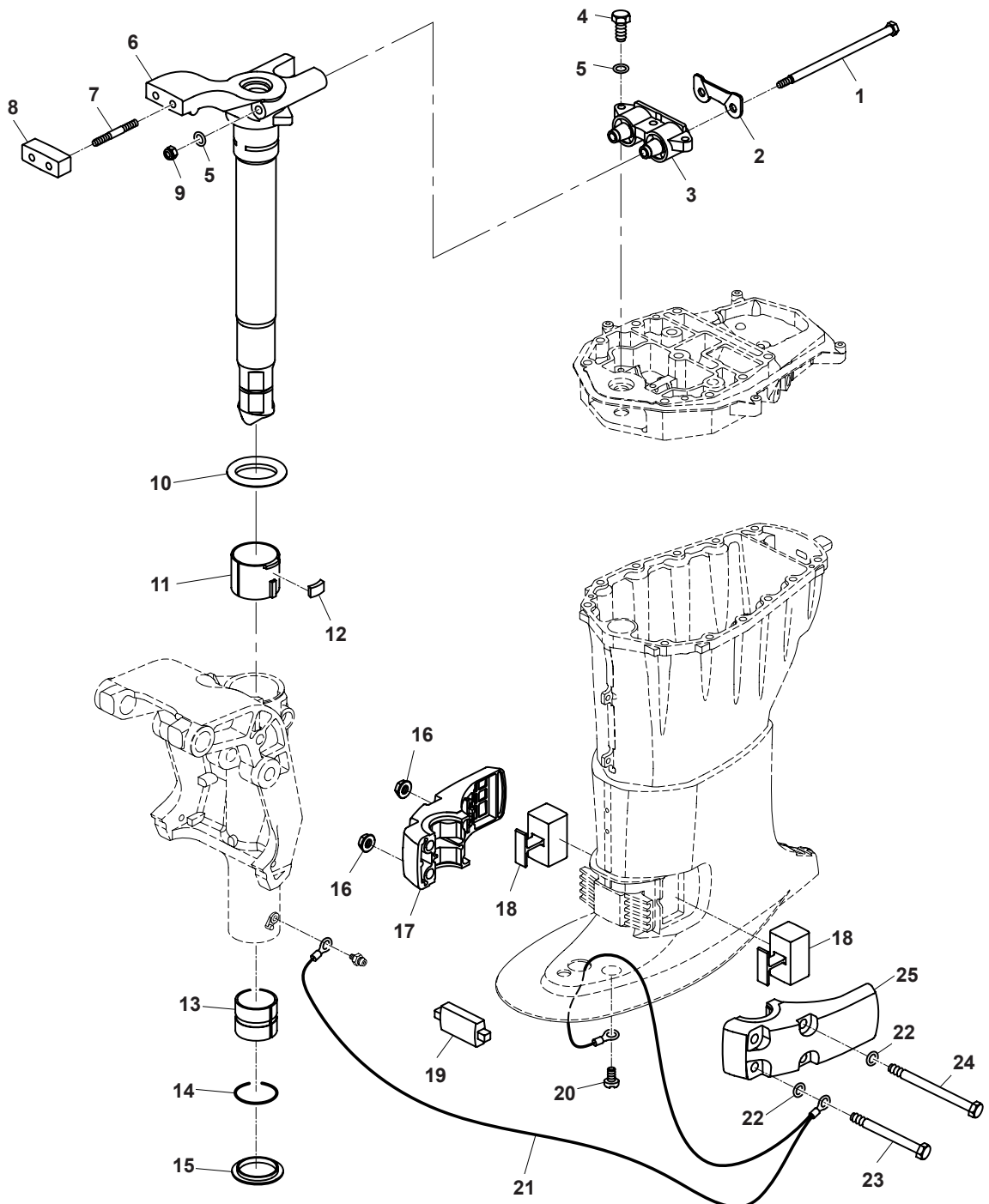
N°	Ref.	Description	Qty
1	PAF25-01010312	LOCKING HANDLE ASSY	1
2	PAF15-01010305-3	JACKET, HANDLE	1
3	PAF25-01010311	BUSHING, LOCKING HANDLE	1
4	PAF25-01010009	WASHER, NYLON	2
5	PAF25-01010321	DETENT PLATE, TILT	2
6	PAF25-01010008	WAVE WASHER	2
7	PAF25-01010007	SCREW, PROLATE HEXAGON	2
8	PAF25-01010318	PIN, DETENT PLATE	2
9	PAF25-01010319	NYLON BUSHING, PIN	2
10	PAGB/T879.2- 3x18	PIN 3x18	1
11	PAT40-01010102	LIMITING HANDLE, TILT	1
12	PAGB/T6182-M8	LOCKING NUT M8	2
13	PAF25-01010010	THICK WASHER 8	2
14	PAF25-01010200	CLAMP BRACKET ASSY (RIGHT)	1
15	PAF25-01010011	PLASTIC NUT	2
16	PAF15-01010007	SELF-LOCKING NUT, BRACKET	2
17	PAF25-01010004	PLATE, TWO HOLE	1
18	PAF25-01010102	CLAMP HANDLE, STERN	2
19	PAF25-01010104	CLAMP SCREW, STERN	2
20	PAF25-01010103	RIVET, CLAMP HANDLE	2

N°	Ref.	Description	Qty
21	PAF4-01010003	CLAMP PAD	2
22	PAGB/T6170-M8	NUT M8	1
23	PAGB/T93-8	WASHER, SPRING 8	1
24	PAGB/T97.1-8	WASHER 8	1
25	PAT40-01010101	LIMITING SHAFT, TILT	1
26	PAF25-01010003	WASHER	2
27	PAF25-01010002	BUSH, NYLON	2
28	PAF25-01010301L	ROTARY BRACKET (L)	1
29	PAGB/T7940.1-M6	OIL CUP M6	3
30	PAT36-04000023	LINE CLAMP	1
31	PAF25-01010302	SEAL, BOLT	1
32	PAF25-01010303	FLANG BOLT M8x20	1
33	PAF15-01010001	BOLT, CLAMP BRACKET	1
34	PAF25-01010006	TUBE, BOLT	1
35	PAF25-01010100	CLAMP BRACKET ASSY (LEFT)	1
36	PAF25-01010403	CONICAL SPRING	1
37	PAF25-01010400	LIMITING ROD ASSY	1
38	PAF25-01010005	LONG BOLT M8x255	1
39	PAF25-01010309	BUSHING, LOCKING HANDLE	1
40	PAF25-01010315	CONNECTING ROD, BRACKET	1
41	PAGB/T818-M5x6	SCREW, PAN HBAD M5x6	1
42	PAF25-01010313	LEVER, ANGLE ORIENTATION	1
43	PAF25-01010305	LONG SHAFT, LOCKING FRAME	1
44	PAGB/T91-Ø2x12	COTTER PIN Ø2x12	4
45	PAGB/T896-9	CIRCLIP 9	2
46	PAF25-01010304	TENSION SPRING, LOCKING FRAME	2
47	PAF25-01010307-3	SHORT SHAFT, OUTER BRACKET	1
48	PAF25-01010307-4	OUTER BRACKET (B)	1
49	PAF25-01010307-1	INNER BRACKET	1
50	PAF25-01010307-2	OUTER BRACKET (A)	1
51	PAF25-01010306	TUBE, LONG SHAFT	1



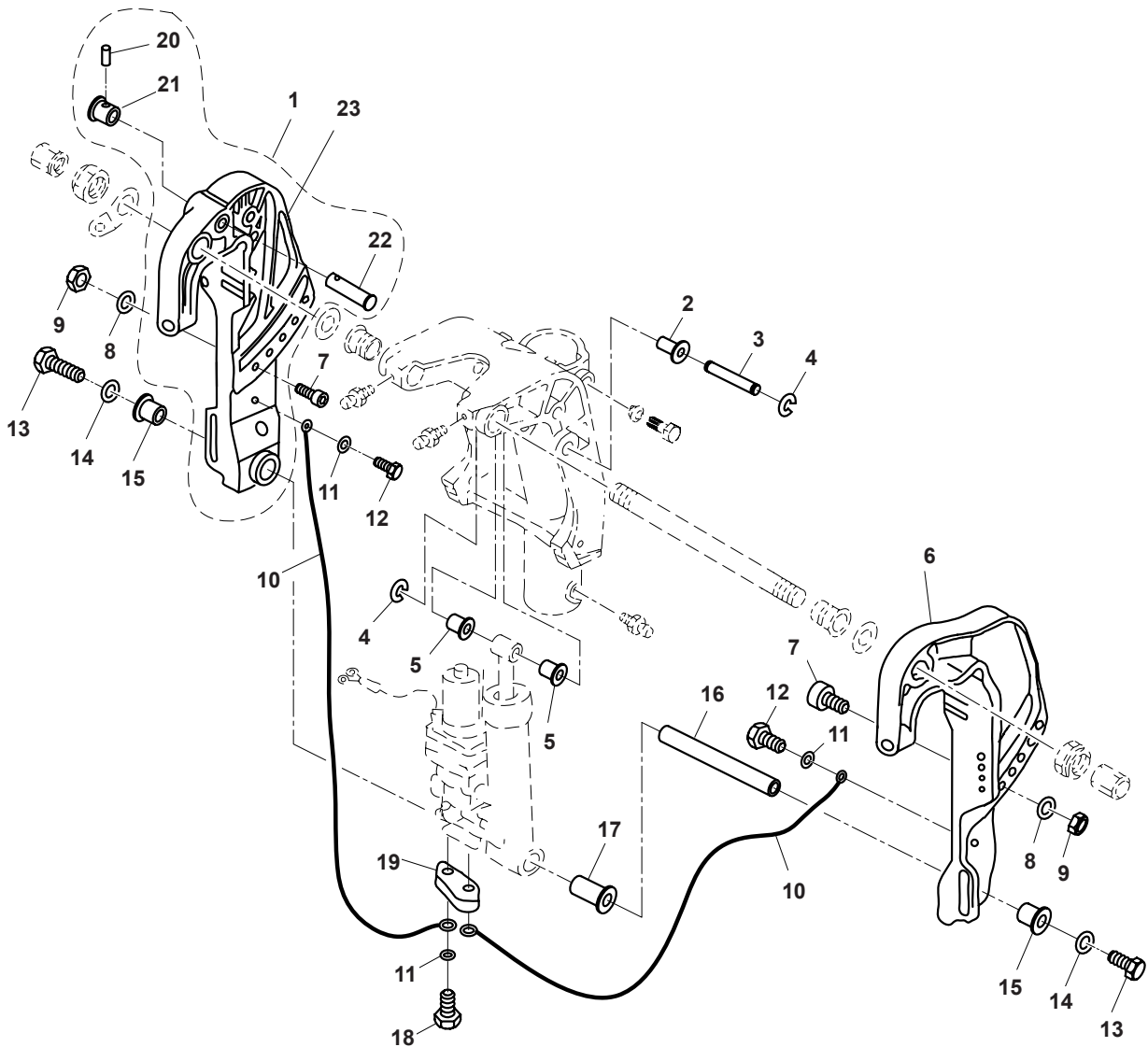
SOPORTE MOTOR 2 / BRACKET 2 / SUPPORTO MOTORE 2

Nº	Ref.	Description	Quantity	Nº	Ref.	Description	Quantity
1	PAF25-02000016	LONG BOLT	2	13	PAF25-01000004L	LOWER BUSHING, ROTARY BRACKET	1
2	PAF25-02000015	PLATE, ABSORBER	1	14	PAF25-01000005L	O-RING, LOWER BUSHING	1
3	PAF25-02030000	SHOCK ABSORBER ASSY, DOUBLE HOLE	1	15	PAF25-01000006L	LOWER WASHER, ROTARY BRACKET	1
4	PAGB/T5783-M8x30	BOLT M8x30	3	16	PAF25-00000005	NUT M10	4
5	PAGB/T97.1-8	WASHER 8	5	17	PAF25-00000016	SHELL, MOUNT DAMPER (RIGHT)	1
6	PAF25-01020001L	BRACKET, STEERING (L)	1	18	PAF25-00000002	MOUNT DAMPER, LEFT AND RIGHT	2
7	PAF40-01020002	BOLT, DOUBLE HEAD (BM)	2	19	PAF25-00000003	MOUNT DAMPER, FRONT	1
	PAF25-01020002	BOLT, DOUBLE HEAD (FW)	2	20	PAGB/T818-M6x8	SCREW M6x8	1
8	PAF40-01000004	PADDING BLOCK, STEERING BRACKET (BM)	1	21	PAF25-02000002	TIGHTWIRE, EARTHING	1
9	PAGB/T889.2-M8x1.25	LOCKNUT M8x1.25	2	22	PAGB/T97.1-10	WASHER 10	4
10	PAF25-01000003	UPPER WASHER, ROTARY BRACKET	1	23	PAF25-00000007	BOLT M10x80	2
11	PAF25-01000001	UPPER BUSHING, ROTARY BRACKET	1	24	PAF25-00000006	BOLT M10x120	2
12	PAF25-01000002	FRICION PAD ASSY	1	25	PAF25-00000015	SHELL, MOUNT DAMPER (LEFT)	1



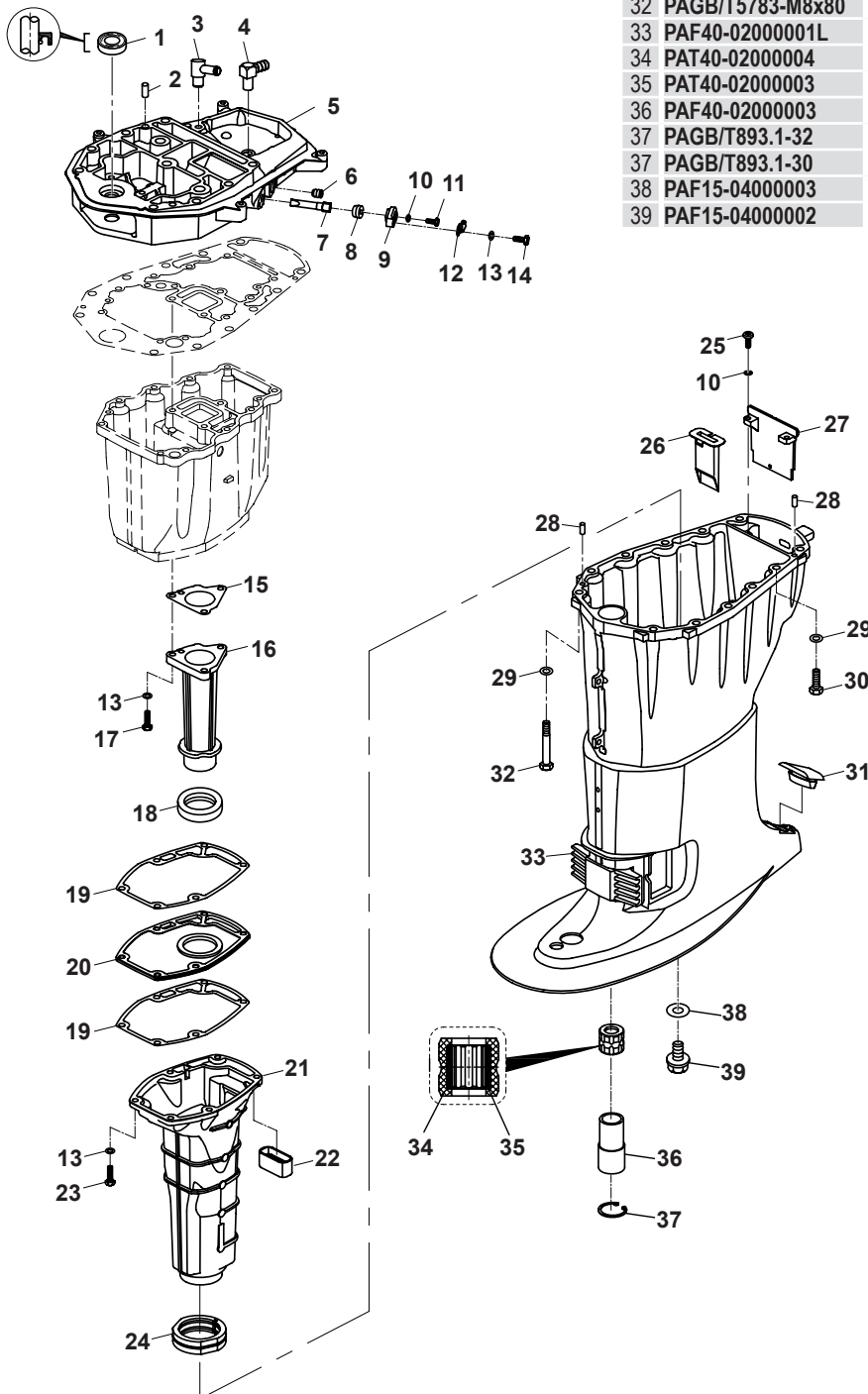
SOPORTE MOTOR 3 / BRACKET 3 / SUPPORTO MOTORE 3

N°	Ref.	Description	Quantity	N°	Ref.	Description	Quantity
1	PAT40-01010100-A	RIGHT BRACKET ASSY	1	13	PAGB/T5783-M8x16	BOLT M8x16	2
2	PAE10-01010003	BUSH	1	14	PAE10-01010007	WASHER, PLATE	2
3	PAE10-01010001	PIN	1	15	PAE10-01010005	BUSH A	2
4	PAGB/T896-9	CIRCLIP 9	2	16	PAE10-01010004	PIN	1
5	PAF25-01010324	BUSH	2	17	PAE10-01010006	BUSH B	1
6	PAT40-01010001-A	LEFT BRACKET	1	18	PAGB/T5783-M6x25	BOLT M6x25	2
7	PAGB/T10.1-M10x1.5x45	SCREW M10x1.5x45	2	19	PAE10-01010008	ANODE	1
8	PAGB/T97.1-10	WASHER 10	2	20	PAGB/T879.2-Ø3x18	PIN 1&3x18	1
9	PAGB/T889.1-M10x1.5	NUT, SELF-LOCKING M10x1.5	2	21	PAT40-01010102	HANDLE	1
10	PAE10-01010009	WIRE, ANODE	2	22	PAT40-01010101	LIMITATIVE POSITION SHAFT	1
11	PAGB/T97.1-6	WASHER 6	4	23	PAT40-01010002-A	RIGHT BRACKET	1
12	PAGB/T5783-M6x10	BOLT M6x10	2				



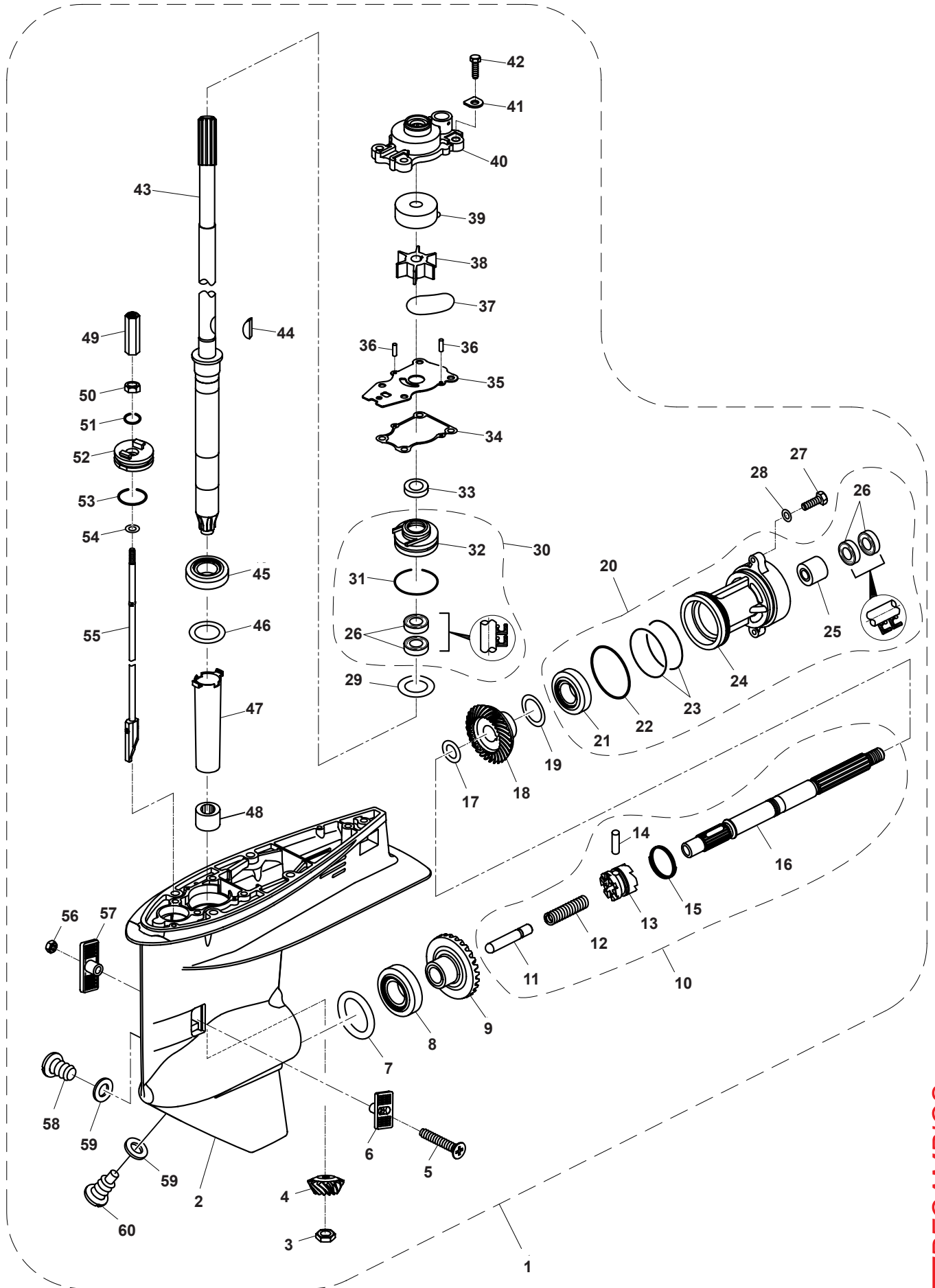
COLA SUPERIOR / UPPER CASING / PARTE ALTA PIEDE

Nº	Ref.	Description	Quantity	Nº	Ref.	Description	Quantity
1	PAF25-02010002	OIL SEAL 16x30x6	1	17	PAGB/T5783-M6x50	BOLT M6x50	3
2	PAF25-00000014	PIN Ø8x12	2	18	PAF40-02010006	SEAL RING, EXHAUST PIPE	1
3	PAF15-04000005	WATER NOZZLE	1	19	PAF40-02010007	GASKET, CLAPBOARD	2
4	PAF25-02010003	JOINT B, GAS PIPE	1	20	PAF40-02010008	CLAPBOARD	1
5	PAF40-02010001	SEAT, OUTLET MANIFOLD	1	21	PAF40-02010009L	OUTLET MANIFOLD	1
6	PAF15-07010005	PLUG 1/4	1	22	PAF40-02000008	RUBBER JACKET B, OUTLET MANIFOLD	1
7	PAF25-02010005	ANODE	1	23	PAGB/T5783-M6x25	BOLT M6x25	6
8	PAF15-07010009	SEAL, ANODE	1	24	PAF40-02000007	RUBBER JACKET A, OUTLET MANIFOLD	1
9	PAF15-07010011	COVER, ANODE	1	25	PAGB/T818-M5x16	SCREW M5x16	2
10	PAGB/T97.1-5	WASHER 5	3	26	PAF40-02000004	EXHAUST GUIDE, PLASTIC	1
11	PAGB/T5783-M5x12	BOLT M5x12	1	27	PAF25-02000003	CLAPBOARD, EXHAUST	1
12	PAF15-07010012	PLATE, ANODE	1	28	PAF15-00000006	PIN Ø6x12	2
13	PAGB/T97.1-6	WASHER 6	10	29	PAGB/T97.1-8	WASHER 8	10
14	PAGB/T5783-M6x20	BOLT M6x20	1	30	PAGB/T5783-M8x30	BOLT M8x30	4
15	PAF25-02000011	GASKET, EXHAUST PIPE	1	31	PAF40-00000002	RUBBER PLUG, UPPER CASING	1
16	PAF40-02010005	EXHAUST PIPE	1	32	PAGB/T5783-M8x80	BOLT M8x80	8
				33	PAF40-02000001L	UPPER CASING (L)	1
				34	PAT40-02000004	RUBBER BUSHING	1
				35	PAT40-02000003	BUSHING, DRIVE SHAFT	1
				36	PAF40-02000003	JACKET, DRIVE SHAFT	1
				37	PAGB/T893.1-32	CIRCLIP 32	1
				37	PAGB/T893.1-30	CIRCLIP 30	1
				38	PAF15-04000003	WASHER, BOLT	1
				39	PAF15-04000002	BOLT, OIL DRAIN	1



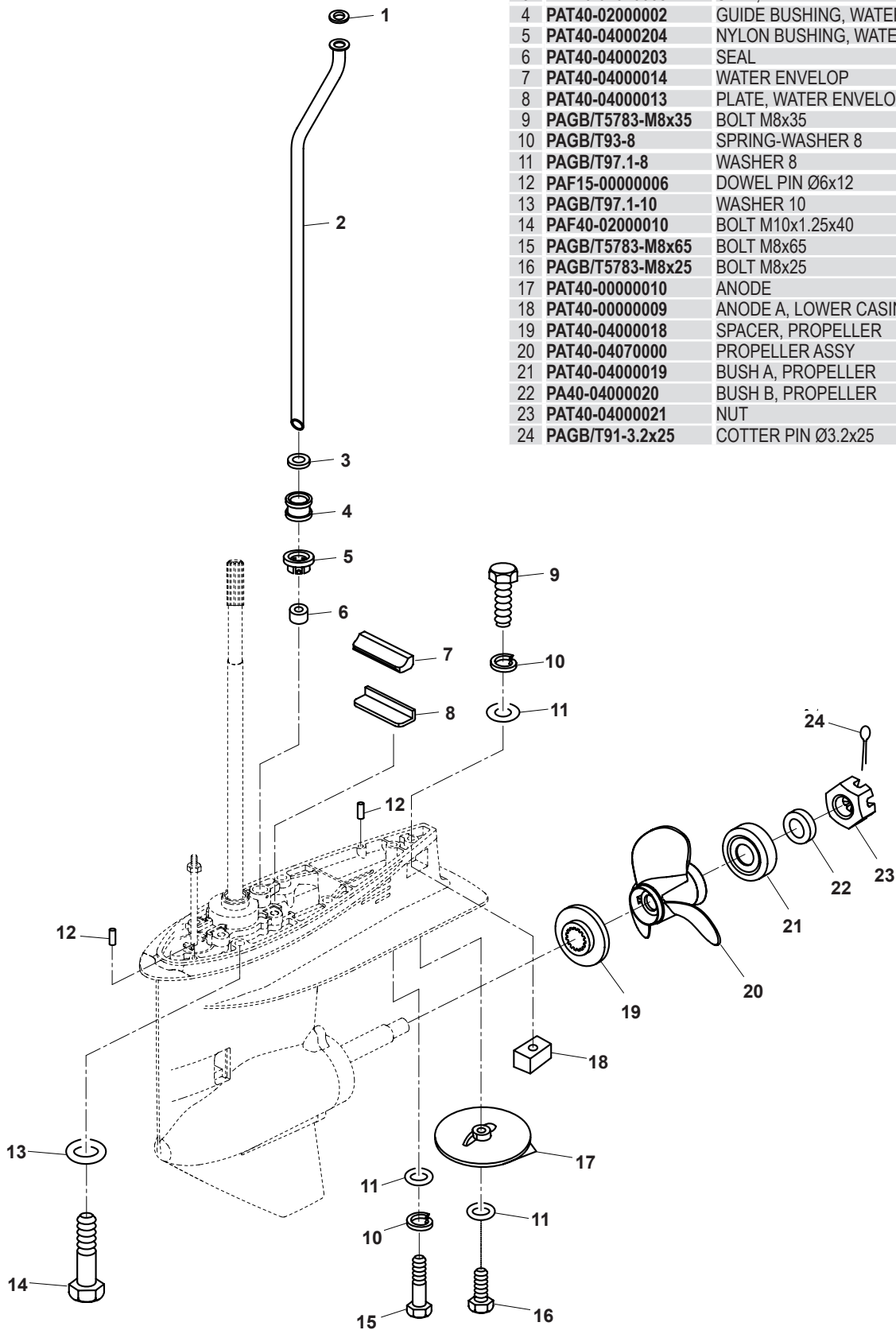
COLA INFERIOR 1 / LOWER CASING & DRIVE 1 / PARTE INFERIORE PIEDE 1

N°	Ref.	Description	Quantity	N°	Ref.	Description	Quantity
1	PAF40-0400000L	LOWER CASING ASSY (L)	1	46	PAT40-04000003-4	SHIM (t: 0.18 mm)	1
1	PAF40-0400000S	LOWER CASING ASSY (S)	1	46	PAT40-04000003-5	SHIM (t: 0.30 mm)	1
2	PAT40-04000001	LOWER CASING	1	46	PAT40-04000003-6	SHIM (t: 0.40 mm)	1
3	PAT40-04000006	NUT, PINION	1	46	PAT40-04000003-7	SHIM (t: 0.50 mm)	1
4	PAT40-04000005	PINION	1	47	PAT40-04000002	BUSHING, NYLON	1
5	PAGB/T820-M5x30	SCREW M5x30	1	48	PANSK B-1416	QUILL BEARING	1
6	PAT40-04000022	WATER INLET A	1	49	PAF15-05000035	COLUMN NUT	1
7	PAT40-04000004-1	SHIM (t: 0.10 mm)	1	50	PAGB/T6172.1-M6	NUT M6	1
7	PAT40-04000004-2	SHIM (t: 0.12 mm)	1	51	PAF15-06 020004	O-RING 14x4.2	1
7	PAT40-04000004-3	SHIM (t: 0.15 mm)	1	52	PAT40-04000007	COVER PLATE, CAMSHAFT	1
7	PAT40-04000004-4	SHIM (t: 0.18 mm)	1	53	PAJASO F404 31-035	O-RING	1
7	PAT40-04000004-5	SHIM (t: 0.30 mm)	1	54	PAGB/T97.1-6	WASHER 6	1
7	PAT40-04000004-6	SHIM (t: 0.40 mm)	1	55	PAF40-04020000	CAM ASSY, SHIFT ROD	1
7	PAT40-04000004-7	SHIM (t: 0.50mm)	1	56	PAGB/T889.1-M5	LOCKING NUT M5	1
8	PAKOYOHI-CAP322/32	ROLLER BEARING	1	51	PAT40-04000023	WATER INLET B	1
9	PAT40-04020000	FORWARD GEAR ASSY	1	58	PAF4-03000023	PLUG, OIL HOSE	1
10	PAT40-04050000	PROPELLER SHAFT ASSY	1	59	PAF4-03000024	GASKET	2
11	PAT40-04050006	PLUNGER, SHIFT	1	60	PAF25-04000031	PLUG, OIL RELEASE	1
12	PAT40-04050002	SPRING, CLUTCH	1				
13	PAT40-04050003	DOG CLUTCH	1				
14	PAT40-04050004	PIN, CLUTCH	1				
15	PAT40-04050005	ANNULAR SPRING, CLUTCH	1				
16	PAT40-04050001	SHAFT, PROPELLER	1				
17	PAT40-04050007	WASHER, REVERSE GEAR	1				
18	PAT40-04060006	GEAR, REVERSE	1				
19	PAT40-04060005-1	SHIM (T= 0.10 mm)	1				
19	PAT40-04060005-2	SHIM (T= 0.12 mm)	1				
19	PAT40-04060005-3	SHIM (T= 0.15 mm)	1				
19	PAT40-04060005-4	SHIM (T= 0.18 mm)	1				
19	PAT40-04060005-5	SHIM (T= 0.30 mm)	1				
19	PAT40-04060005-6	SHIM (T= 0.40 mm)	1				
19	PAT40-04060005-7	SHIM (T= 0.50 mm)	1				
20	PAT40-04060000	COVER ASSY, LOWER CASING	1				
21	PAKOYO 6007C4	BEARING 6007	1				
22	PAT40-04060002	O-RING A, COVER	1				
23	PAT40-04060003	O-RING B, COVER	2				
24	PAT40-04060001	COVER, LOWER CASING	1				
25	PANTN HK 2220 JS	BEARING 2220	1				
26	PAF25-04010003	OIL SEAL	4				
27	PAGB/T5783-M8x25	BOLT M8x25	2				
28	PAGB/T97.1-8	WASHER 8	2				
29	PAT40-04000008	BIG WASHER	1				
30	PAT40-04040000	CASING A ASSY, OIL SEAL	1				
31	PAJASO F404 24-050	O-RING, CASING A	1				
32	PAT40-04040001	CASING A, OIL SEAL	1				
33	PAT40-04000009	COVER, OIL SEAL	1				
34	PAT40-04000010	GASKET, WATER PUMP SEAT	1				
35	PAT40-04000011	OUTER PLATE	1				
36	PAF25-04000007	DOWEL PIN Ø4x10	2				
37	PAT40-04000205	O-RING	1				
38	PAF25-04040000	IMPELLER ASSY, WATER PUMP	1				
39	PAT40-04000202	INNER SHELL, WATER PUMP	1				
40	PAT40-04000201	WATER PUMP HOUSING	1				
41	PAT40-04000012	PLATE, WATER PUMP	4				
42	PAGB/T5783-M8x30	BOLT M8x30	4				
43	PAF40-04010000L	DRIVE SHAFT ASSY	1				
44	PAF25-04000015	WOODRUFF KEY	1				
45	PA3005 JR KOYO	BEARING 32005	1				
46	PAT40-04000003-1	SHIM (t: 0.10 mm)	1				
46	PAT40-04000003-2	SHIM (t: 0.12 mm)	1				
46	PAT40-04000003-3	SHIM (t: 0.15 mm)	1				



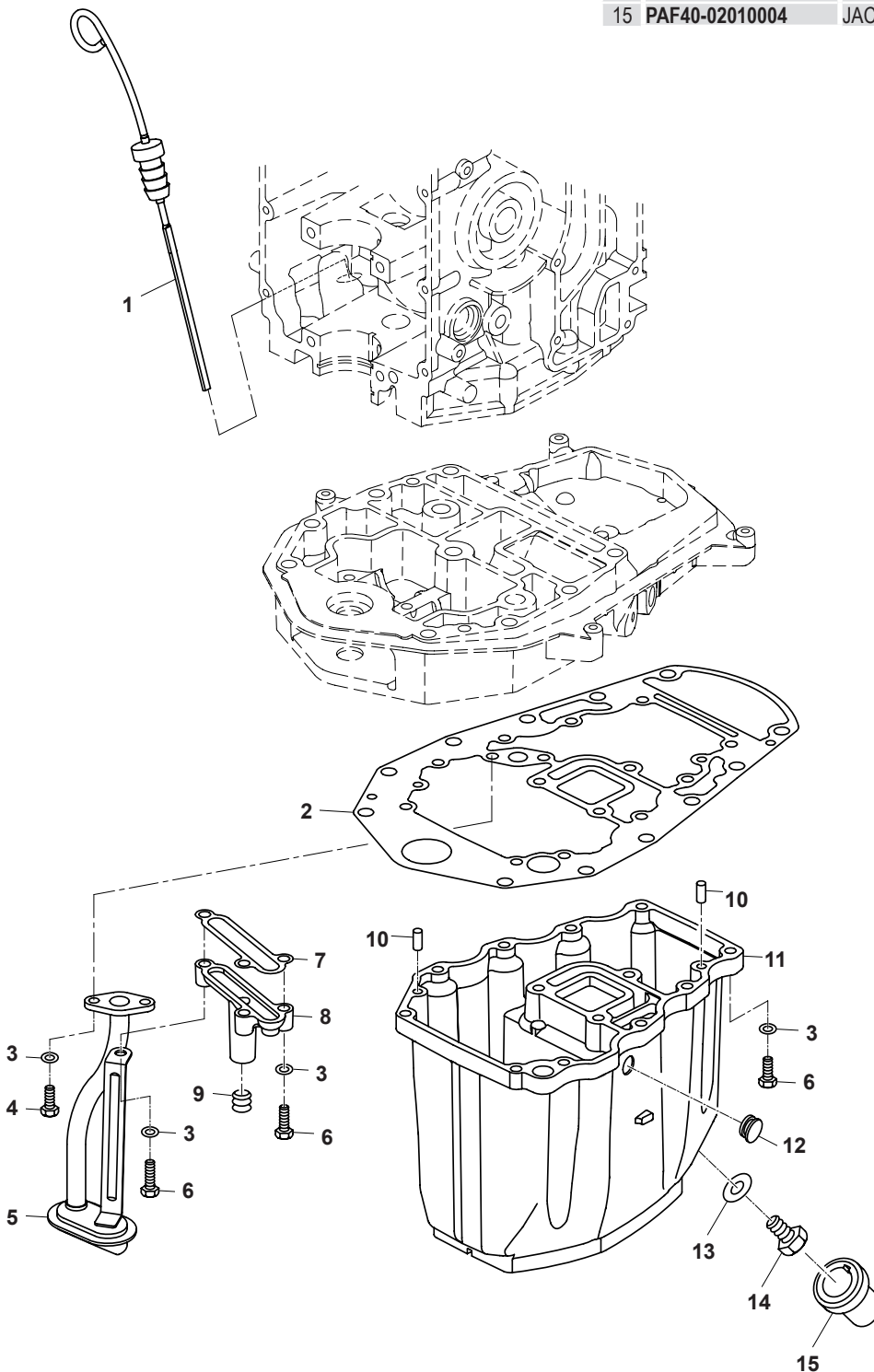
COLA INFERIOR 2 / LOWER CASING & DRIVE 2 / PARTE INFERIORE PIEDE 2

N°	Ref.	Description	Quantity
1	PAF25-02000019	NYLON WASHER, WATER PIPE	1
2	PAF40-02000005L	WATER PIPE (L)	1
3	PAT40-02010005	SEAL, WATER PIPE	1
4	PAT40-02000002	GUIDE BUSHING, WATER PIPE	1
5	PAT40-04000204	NYLON BUSHING, WATER PIPE	1
6	PAT40-04000203	SEAL	1
7	PAT40-04000014	WATER ENVELOP	1
8	PAT40-04000013	PLATE, WATER ENVELOP	1
9	PAGB/T5783-M8x35	BOLT M8x35	1
10	PAGB/T93-8	SPRING-WASHER 8	2
11	PAGB/T97.1-8	WASHER 8	3
12	PAF15-00000006	DOWEL PIN Ø6x12	2
13	PAGB/T97.1-10	WASHER 10	4
14	PAF40-02000010	BOLT M10x1.25x40	4
15	PAGB/T5783-M8x65	BOLT M8x65	1
16	PAGB/T5783-M8x25	BOLT M8x25	1
17	PAT40-00000010	ANODE	1
18	PAT40-00000009	ANODE A, LOWER CASING	1
19	PAT40-04000018	SPACER, PROPELLER	1
20	PAT40-04070000	PROPELLER ASSY	1
21	PAT40-04000019	BUSH A, PROPELLER	1
22	PA40-04000020	BUSH B, PROPELLER	1
23	PAT40-04000021	NUT	1
24	PAGB/T91-3.2x25	COTTER PIN Ø3.2x25	1



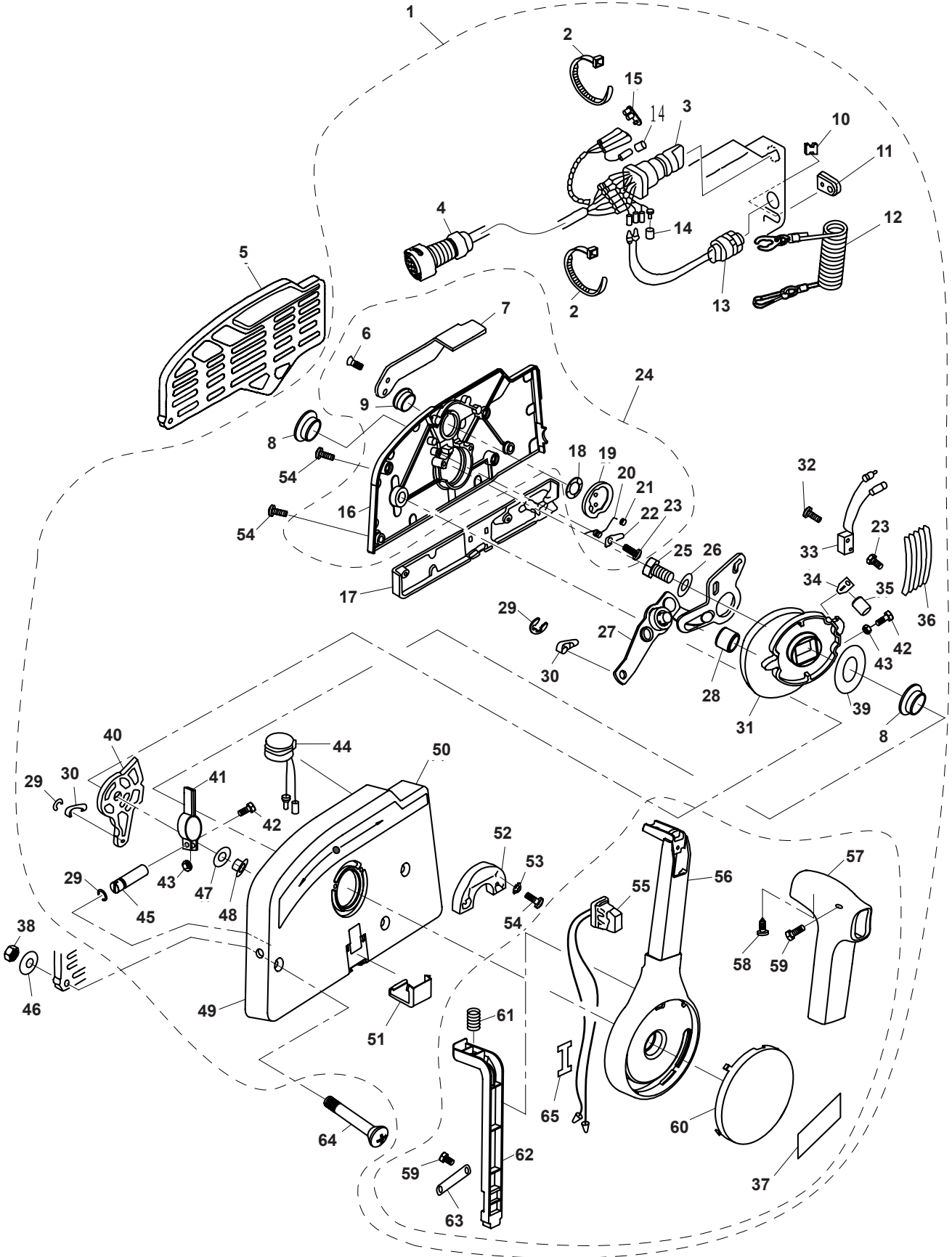
CARTER / OIL PAN / COPPA L'OLLIO

N°	Ref.	Description	Quanty
1	PAF40-05000032	OIL LEVEL ASSY	1
2	PAF25-02010007	GASKET, OUTLET MANIFOLD	1
3	PAGB/T97.1-6	WASHER 6	15
4	PAGB/T5783-M6x16	BOLT M6x16	2
5	PAF40-02010100	FILTER ASSY	1
6	PAGB/T5783-M6x25	BOLT M6x25	13
1	PAF25-02010006	GASKET, RELIEF VALVE	1
8	PAF40-02010010	SHELL, RELIEF VALVE	1
9	PAF15-07010004	PLUG	1
10	PAF15-00000006	PIN 6x12	2
11	PAF40-02010002	OIL PAN	1
12	PAF40-02010003	RUBBER JAM	1
13	PAF15-04000003	WASHER, BOLT	1
14	PAF15-04000002	BOLT, OIL DRAIN	1
15	PAF40-02010004	JACKET, OIL DRAIN	1



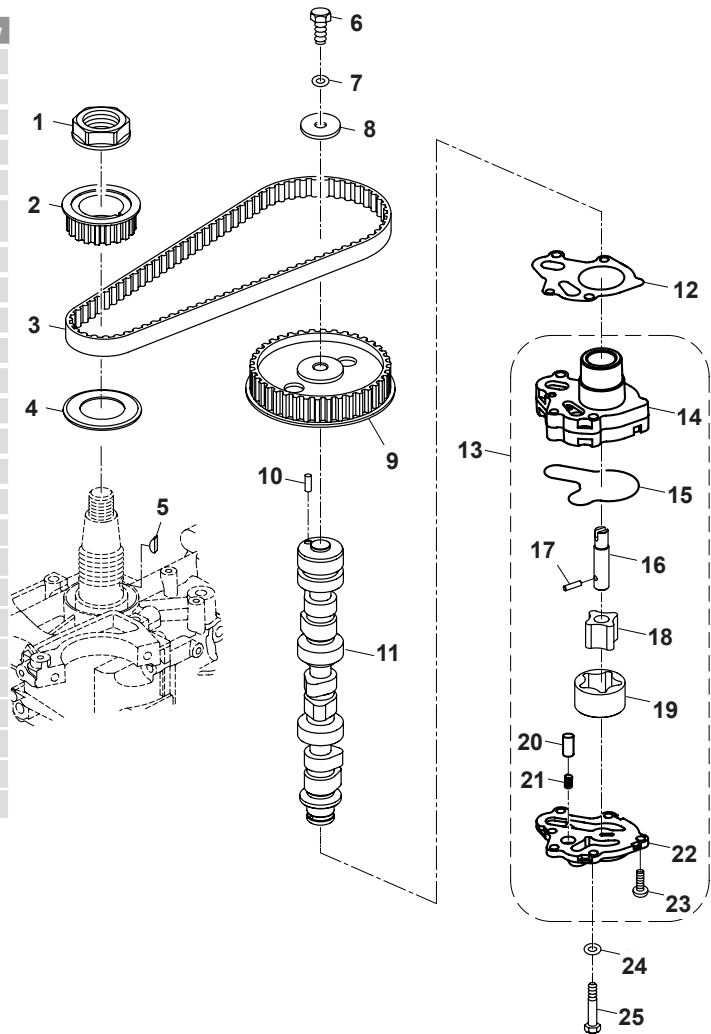
CAJA DE MANDOS / CONTROL BOX ASSY / SCATOLA COMANDI

N°	Ref.	Description	Quantity	N°	Ref.	Description	Quantity
1	PAF40-13000000EI	CONTROL BOX ASSY (EFI)	1	58	PAGB/T84.5-ST4.8x12	SCREW, PAN HEAD ST4.8x12	1
2	PAHT2.5x60	CLAMP	2	59	PAGB/T818-M4x10	SCREW, PAN HEAD M4x10	3
3	PAF40-13000200EI	STARTING SWICH ASSY (EFI)	1	60	PAF15-13010009W	COVER, CONTROL HANDLE	1
41	PAT85-08010100	CONTROL CABLE	1	61	PAF15-13010005W	SPRING, COMPRESSION	1
	PAF40-08010100EI	CONTROL CABLE (EFI)	1	62	PAF15-13010004W	PART, ORIENTATION CONTROL	1
5	PAF15-11000002W	PLATE, CONTROL BOX	1	63	PAF15-13010008W	PLATE, ORIENTATION PART	1
6	PAGB/T819.2-M5x12	SCREW PAN HEAD M5x12	2	64	PAGB/T820-M6x90	SCREW, PAN HEAD M6x90	3
7	PAF15-13020007W	THROTTLE HANDLE, INCHING	1	65	PAE4-07020015W	CHAFING PLATE, WIRE	1
8	PAF15-13000005W	BUSH,CAM	2				
9	PAF15-13020006W	BUSH, HANDLE	1				
10	PAF15-11000001W	BLOCK, RUBBER	1				
11	PAF15-13000014W	JACKET, CABLE	1				
12	PAF4-01090401	STOPER, HANG ROPE ASSY	1				
13	PAF15-13000400W	ENGINE STOP SWICH ASSY	1				
14	PAF15-13000203W	INSULATED PLUG "B"	2				
15	PAF15-13000202W	INSULATED PLUG "A"	1				
16	PAF15-13020001W	COVER, CONTROL BOX	1				
17	PAF15-13000013W	SMALL COVER, CONTROL BOX	1				
18	PAF15-13020005W	WASHER "B", WAVE	1				
19	PAF15-13020100W	LOCKED DISK ASSY	1				
20	PAF15-13020002W	TORSION SPRING	1				
21	PAF15-13020003W	EACH LOCKED PULLEY	1				
22	PAF15-13020004W	PLATE, PULLEY SPRING	1				
23	PAGB/T818-M4x6	PAN HEAD SCREW M4x6	2				
24	PAF15-13020000W	COVER ASSY, CONTROL BOX	1				
25	PAGB/T5783-M8x30	BOLT M8x30	1				
26	PAGB/T97.1-8	WASHER 8	1				
27	PAT20-13000500W	MACHINE, CONTROL ACCELEROGRAPH	1				
28	PAF15-13000007W	WASHER	1				
29	PAGB/T896-6	PIN, COTTER 6	3				
30	PAF25-07000007W	CONTROL CABLE TIE IN "B"	2				
31	PAF15-13000002W	CAM MECHANISM	1				
32	PAGB/T818-M3x14	PAN HEAD SCREW M3x14	2				
33	PAF15-13000800W	INCHING SWITCH	1				
34	PAF15-13000003W	PLATE	1				
35	PAF15-13000004W	PULLEY	1				
36	PAF15-13000001W	SHIFT SPRING PLATE "B"	5				
37	PAF15-12000016W	MARK 16	1				
38	PAGB/T6170-M6	NUT M6	3				
39	PAF15-13000008W	WEARABLE PLATE, CAM MACHANISM	1				
40	PAF15-13000700W	SHIFT SWING LINK	1				
41	PAF15-13000601W	ADJUSTER FASTNESS ASSY	1				
42	PAGB/T5783-M5x25	BOLT M5x25	2				
43	PAGB/T6170-M5	NUT M5	2				
44	PAF15-13000300W	BUZZER ASSY	1				
45	PAF15-13000602W	ADJUSTER PIN	1				
46	PAGB/T5287-6	BIG WASHER 6	3				
47	PAF15-13000006W	WEARABLE PLATE	1				
48	PAF15-13000011W	BUSH, SHIFT SWING LINK	1				
49	PAF15-13000012W	BRACKET, CONTROL BOX	1				
50	PAF15-12000013W	MARK 13	1				
51	PAF15-13000015W	COVER, WATERPROOF	1				
52	PAF15-13010010W	BLOCK, CONTROL HANDLE	1				
53	PAGB/T956.1-5	WASHER, LOCKED 5	2				
54	PAGB/T819.2-M5x18	SCREW, PAN HEAD M5x18	7				
55	PAE4-10040100W	SWITCH ASSY, TILT	1				
56	PAF15-13010001W	CONTROL HANDLE	1				
57	PAF15-13010002W	CONTROL HANDLE BAR	1				

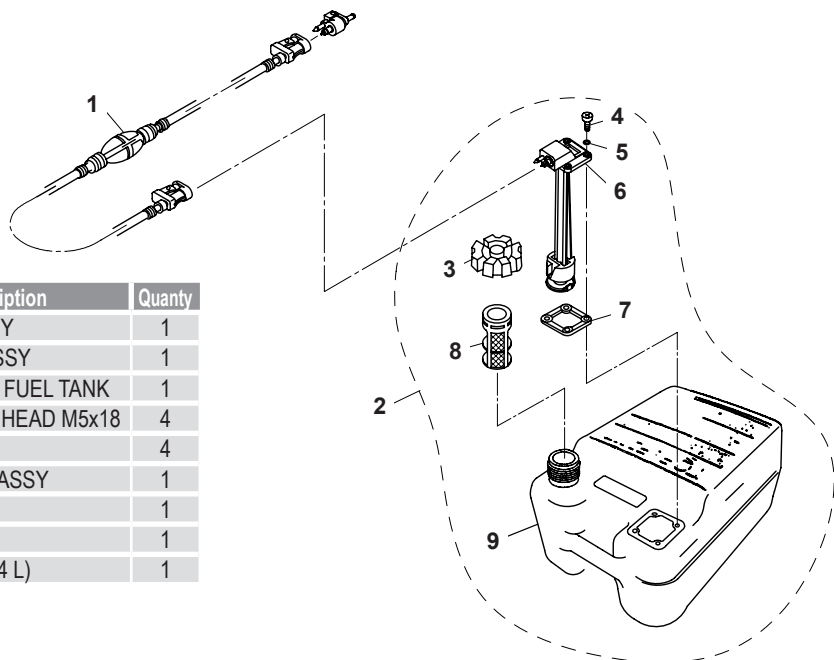


BOMBA DE ACEITE / OIL PUMP / POMPA OLIO

Nº	Ref.	Description	Quantity
1	PAF40-05000007	NUT, TIMING PULLEY	1
2	PAF25-05000021	TIMING PULLEY	1
3	PAF25-05000023	TIMING BELT	1
4	PAF40-05000008	PLATE, TIMING BELT	1
5	PAF4-04000019	WOODRUFF KEY	1
6	PAGB/T5785-M10x1.25x40	BOLT M10x1.25x40	1
7	PAGB/T97.1-10	WASHER 10	1
8	PAF25-05050018	WASHER, DRIVEN PULLEY	1
9	PAF40-05040006	DRIVEN PULLEY	1
10	PAF25-05050016	DOWEL PIN, DRIVEN PULLEY	1
11	PAF40-05040200	CAMSHAFT ASSY	1
12	PAF40-05040407	GASKET, OIL PUMP	1
13	PAF40-05040400	OIL PUMP ASSY	1
14	PAF40-05040401	BODY, OIL PUMP	1
15	PAF40-05040405	SEAL, OIL PUMP	1
16	PAF40-05040404	ROTOR SHAFT, OIL PUMP	1
17	PAGB/T309 Ø4x15.8	NEEDLE ROLLER Ø4x15.8	1
18	PAF40-05040403	INNER ROTOR, OIL PUMP	1
19	PAF40-05040402	OUTER ROTOR, OIL PUMP	1
20	PAF15-07110003	PLUNGER, OIL RELIEF VALVE	1
21	PAF40-05040408	SPRING, OIL RELIEF VALVE	1
22	PAF40-05040406	COVER, OIL PUMP	1
23	PAGB/T823-M6x16	SCREW M6x16	2
24	PAGB/T97.1-6	WASHER 6	4
25	PAGB/T5782-M6x40	BOLT M6x40	4



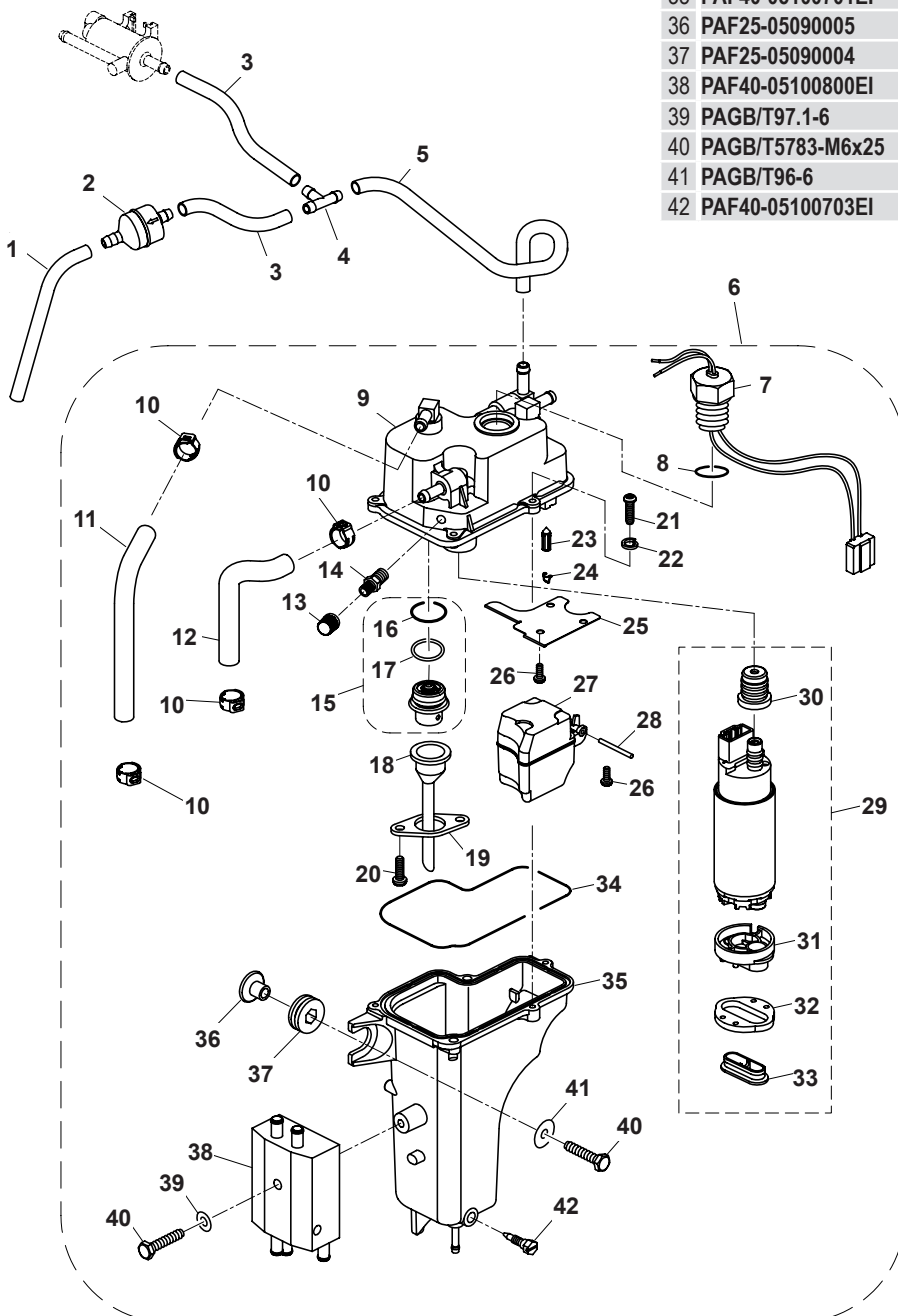
DEPÓSITO EXTERNO / OUTER FUEER TANK / SERBATOIO ESTERNO



Nº	Ref.	Description	Quantity
1	PAF15-09000000	OIL TUBE ASSY	1
2	PAF15-10000000	FUEL TANK ASSY	1
3	PAF15-10010000	COVER ASSY, FUEL TANK	1
4	PAGB/T818-M5x18	SCREW, PAIN HEAD M5x18	4
5	PAGB/T97.1-5	WASHER 5	4
6	PAF15-10020000	OLEOMETER ASSY	1
7	PAF15-10000003	GASKET	1
8	PAF15-10000002	STRAINER	1
9	PAF15-10000001	FUEL TANK (24 L)	1

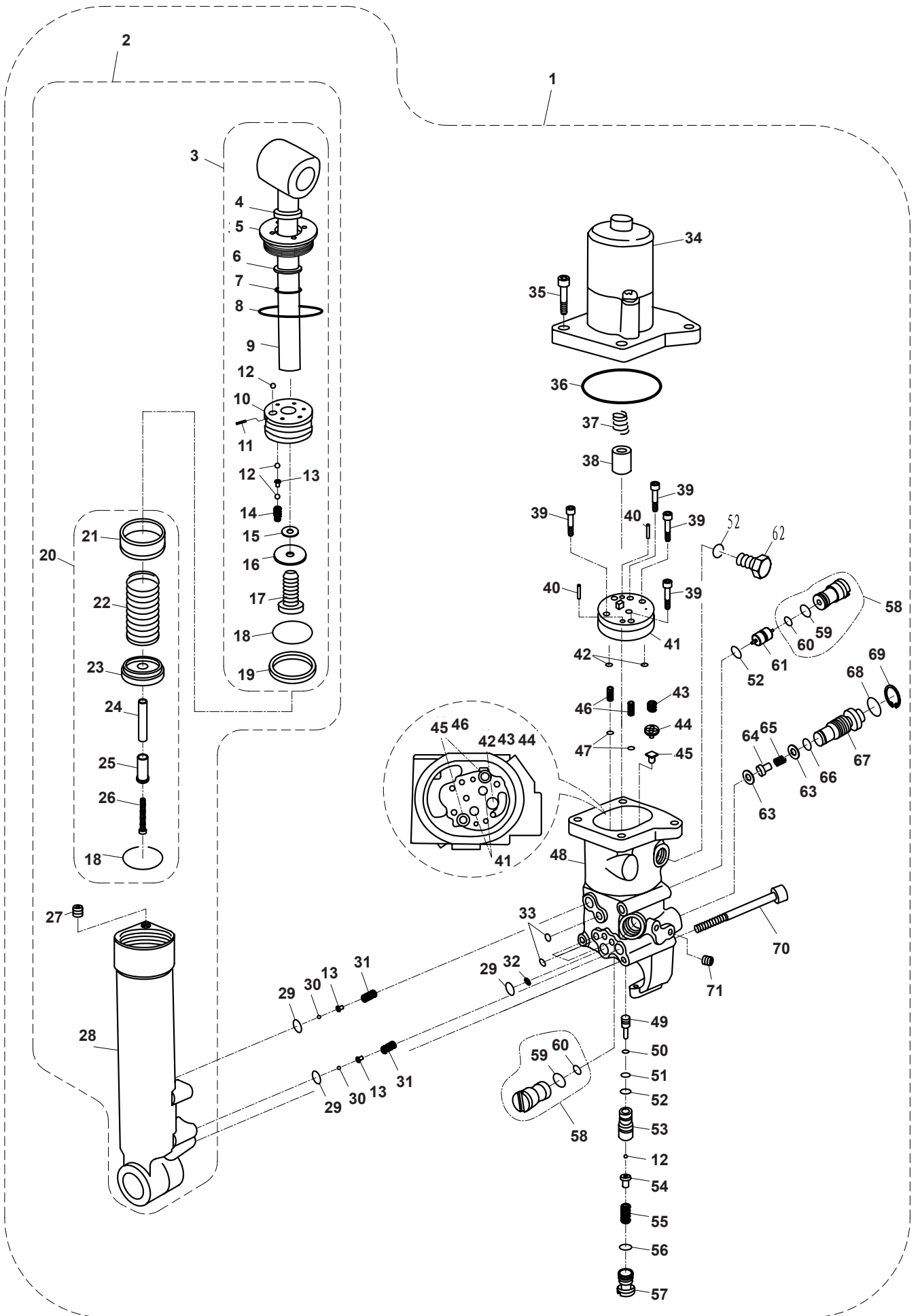
BOMBA DE ACEITE ELÉCTRICA / ELECTRIC OIL PUMP / POMPA OLIO ELLETRICA

Nº	Ref.	Description	Quantity	Nº	Ref.	Description	Quantity
1	PAF40-05000069BI	AIR PIPE C	1	18	PAF40-05100602BI	CONDUIT TUBE	1
2	PAT5-04000200	CHECK VALVE	1	19	PAF40-05100603BI	PLATE, PRESSURE REGULATOR VALVE	1
3	PAF40-05000070BI	AIR PIPE D	2	20	PAGB/T818-M5x12	SCREW M5x12	2
4	PAF15-05000011	THREE WAY	1	21	PAGB/T818-M4x16	SCREW M4x16	5
5	PAF40-05000051BI	AIR PIPE B	1	22	PAGB/T93-4	SPRING WASHER 4	5
6	PAF40-05100000BI	OIL PUMP ASSY	1	23	PAF40-05100301EI	NEEDLE VALVE	1
7	PAF40-05010400EI	JOINT ASSY, OIL PUMP	1	24	PAF40-05100302EI	CLAMP SPRING, NEEDLE VALVE	1
8	PAGB/T3452.1-15.8x3.1	O-RING 15.8x3.1	1	25	PAF40-05100003EI	BAFFLE PLATE	1
9	PAF40-05100100EI	BODY ASSY, OIL PUMP	1	26	PAGB/T818-M4x8	SCREW M4x8	4
10	PAS7133-Ø13.3	SINGLE LUG CLAMP	4	27	PAF40-05100001EI	FLOATER	1
11	PAF40-05100010EI	SHAPED TUBE A, OIL PUMP	1	28	PAF40-05100002EI	PIN, FLOATER	1
12	PAF40-05100004EI	SHAPED TUBE B, OIL PUMP	1	29	PAF40-05100500EI	OIL PUMP ASSY	1
13	PAF40-05100202EI	CAP, DETECTION VALVE	1	30	PAF40-05100501EI	RUBBER SLEEVE, OIL PUMP	1
14	PAF40-05100201BI	DETECTION VALVE, OIL PUMP	1	31	PAF40-05100504EI	PADDING BLOCK, OIL PUMP	1
15	PAF40-05100600BI	PRESSURE REGULATOR VALVBE	1	32	PAF40-05100503EI	RUBBER PAD, OIL PUMP	1
16	PAF40-05100601BI	O-RING, PRESSURE REGULATOR VALVE	1	33	PAF40-05100502EI	FILTER NET, OIL PUMP	1
17	PAF40-05100600-1EI	WASHER, PRESSURE REGULATOR VALVE	2	34	PAF40-05100704EI	SEAL, OIL CAP	1
				35	PAF40-05100701EI	OIL CAP, ELECTRIC PUMP	1
				36	PAF25-05090005	BUSHING, DAMPER	3
				37	PAF25-05090004	DAMPER	3
				38	PAF40-05100800EI	COOLER, FUEL	1
				39	PAGB/T97.1-6	WASHER 6	1
				40	PAGB/T5783-M6x25	BOLT M6x25	4
				41	PAGB/T96-6	BIG WASHER 6	3
				42	PAF40-05100703EI	DRAIN BOLT, OIL CUP	1



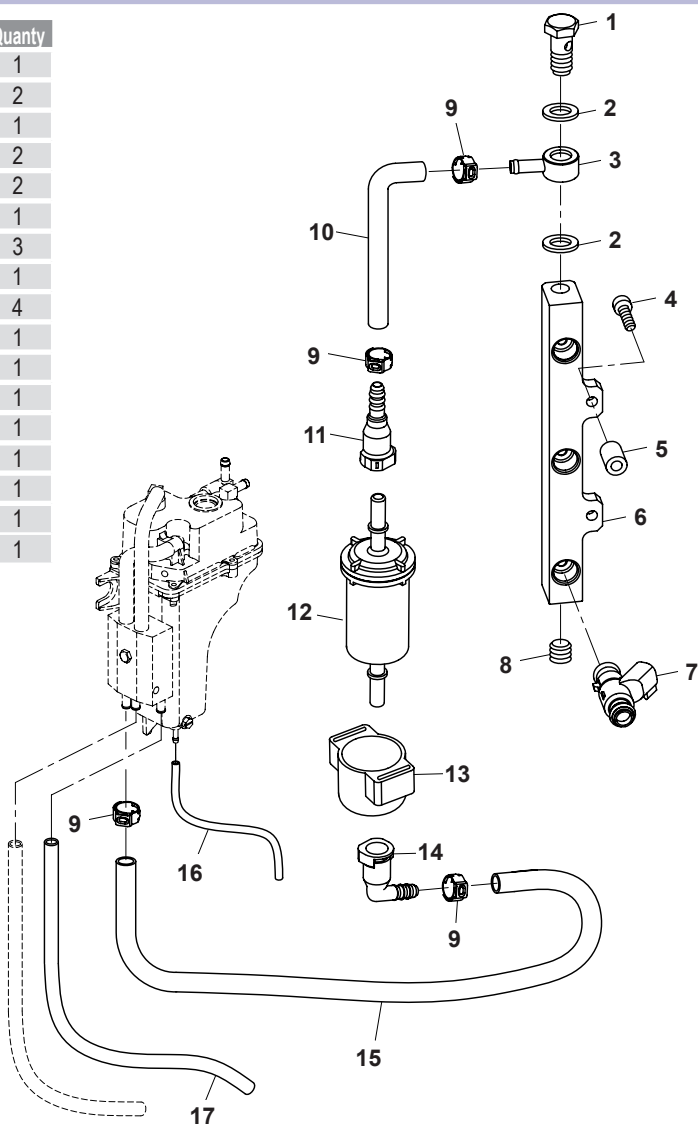
POWER TRIM & TILT

Nº	Ref.	Description	Qty	Nº	Ref.	Description	Qty
1	PAT40-1000000	HYDRAULIC TILT ASSY	1	41	PAT40-10020400	GEAR PUMP ASSY	1
2	PAT40-10010000	LOCATING CYLINDER ASSY	1	42	PAJIS FG5	O-RING Ø4.5xØ1.5	2
3	PAT40-10030000	LOCATING CYLINDER & PISTON ASSY	1	43	PAT40-10020002	SPRING	1
4	PAT40-10030202	OIL SEAL 15x23x5	1	44	PAT85-06010205	PIN, VALVULA SUPORTE	1
5	PAT40-10030200	PISTON NUT	1	45	PAT85-06010207	SEAL, MAIN VALVE	1
6	PAJISB 2407 P15T2	CIRCLIP P15T2	1	46	PAT40-10020005	FILTER, PUMP	2
7	PAJISB 2401 P15	O-RING Ø14.8x2.4	1	47	PAJIS FG4	O-RING Ø3.5x1.5	2
8	PAJASO F404 24-045	O-RING Ø44.7x2.4	1	48	PAT40-10020001	HOUSING	1
9	PAT40-10030100	SHAFT, TILT ASSY	1	49	PAT40-10020301	PIN, VALVE SUPPORT	1
10	PAT40-10030301	PISTON	1	50	PAJISB 2401 PJ	O-RING Ø2.8x1.9	1
11	PAGB/T879.4-Ø1.5x12	PIN 1.5x12	1	51	PAJISB 2401 P8	O-RING Ø7.8x1.9	1
12	PAT85-06020202	BALL 4	12	52	PAJISB 2401 P9	O-RING Ø8.8x1.9	3
13	PAT85-06020005	SEAT, SPRING	7	53	PAT40-10020302	SEAT, RELIEF VALVE	1
14	PAT40-10030001	SPRING	5	54	PAT40-10020303	SEAT, SPRING	1
15	PAT40-10030002	WASHER	1	55	PAT40-10020304	SPRING, UP RELIEF	1
16	PAT40-10030003	WASHER	1	56	JPAISB 2401 P11	O-RING Ø10.8x2.4	1
17	PAGB/T70.2-M10x1.25x40	SCREW M10x1.25x40	1	51	PAT40-10020305	SCREW, VALVE LOCK	1
18	PAJISB 2401 P39	O-RING Ø38.7x3.5	2	58	PAT85-06010503	VALVE SUB ASSY	2
19	PAJISB 2407 P39T2	RING, BACK UP P39T2	1	59	PAJISB 2401 P12.5	O-RING Ø12x1.5	2
20	PAT40-10010100	FREE PISTON SUB ASSY	1	60	PAJIS FG12	O-RING Ø11.5x1.5	2
21	PAT40-10010101	FREE PISTON	1	61	PAT85-06010501	PISTON, SHUTTLE	1
22	PAT40-10010102	SPRING	1	62	PAT85-06010009	SCREW	1
23	PAT40-10010104	SEAL	1	63	PAT85-06010601	WASHER, SEAL	2
24	PAT40-10010103	BUSH, BOLT	1	64	PAT40-10020201	SEAT, SPRING	1
25	PAT40-10010105	BUSH, PISTON	1	65	PAT40-10020202	SPRING	1
26	PAGB/T70.2-M4x35	SCREW M4x35	1	66	PAJIS FG10	O-RING Ø9.5x1.5	1
27	PAF15-07010004	BLOCK, CYLINDER 1/8"	1	67	PAT85-06010606	SCREW, MANUAL RELEASE	1
28	PAT40-10000002	POSITIONING CYLINDER	1	68	PAGB/T3452.1-17.5x2.65	O-RING Ø17.5x2.65	1
29	JPAIS FG11.2	O-RING Ø10.7xØ1.5	3	69	PAGB/T893.1-20	RING, SNAP CIRCLIP 20	1
30	PAT40-10000001	BALL 1/8"	2	70	PAGB/T70.1-M6x75	BOLT M6x75	3
31	PAT85-06020014	SPRING, PISTON	2	71	PAT85-06 010002	BLOCK, CYLINDER 1/16"	5
32	PAT85-06010201	FILTER	1				
33	PAJIS FG6	O-RING Ø5.5x1.5	4				
34	PAT40-10020500	TILT MOTOR	1				
35	PAGB/T70.1-M6x20	SCREW M6x20	4				
36	PAGB/T3452.1-Ø48x2	O-RING Ø48x2	1				
37	PAT40-10020004	SPRING	1				
38	PAT40-10020003	LINK, MOTOR	1				
39	PAGB/T70.1-M4x25	BOLT M4x25	4				
40	PAT85-06010705	ROLLER Ø4x21.8 G2-2-4	2				



CIRCUITO COMBUSTIBILE / FUEL COMMON RAIL / CIRCUITO DI CARBURANTE

N°	Ref.	Description	Quantity
1	PAF40-05000046EI	BOLT, ADAPTER	1
2	PAGB/T982-12	COMPOUND SEAL WASHER 12	2
3	PAF40-05000045EI	ADAPTER, COMMON RAIL	1
4	PAGB/T70.1-M6x35	INNER HEXAGON BOLT M6x35	2
5	PAF40-05000044EI	BUSHING, COMMON RAIL	2
6	PAF40-05091200EI	COMMON RAIL, FUEL OIL	1
7	PAF40-05090300EI	FUEL INJECTOR	3
8	PAF15-07010004	PLUG SCREW 1/8	1
9	PAS7133-13.3	SINGLE LUG CLAMP	4
10	PAF40-05000021EI	SHAPED TUBE, FUEL OIL	1
11	PAF40-05000040EI	JOINT A, FUEL FILTER	1
12	PAF40-05091100EI	FUEL FILTER	1
13	PAF25-07150301W	RELAY JACKET	1
14	PAF40-05000041EI	JOINT B, FUEL FILTER	1
15	PAF40-05000019EI	FUEL PIPE A Ø5xØ10x710	1
16	PAF40-05100511EI	OIL PIPE, OIL PUMP	1
17	PAF40-05000052EI	WATER PIPE G Ø6xØ11x550	1

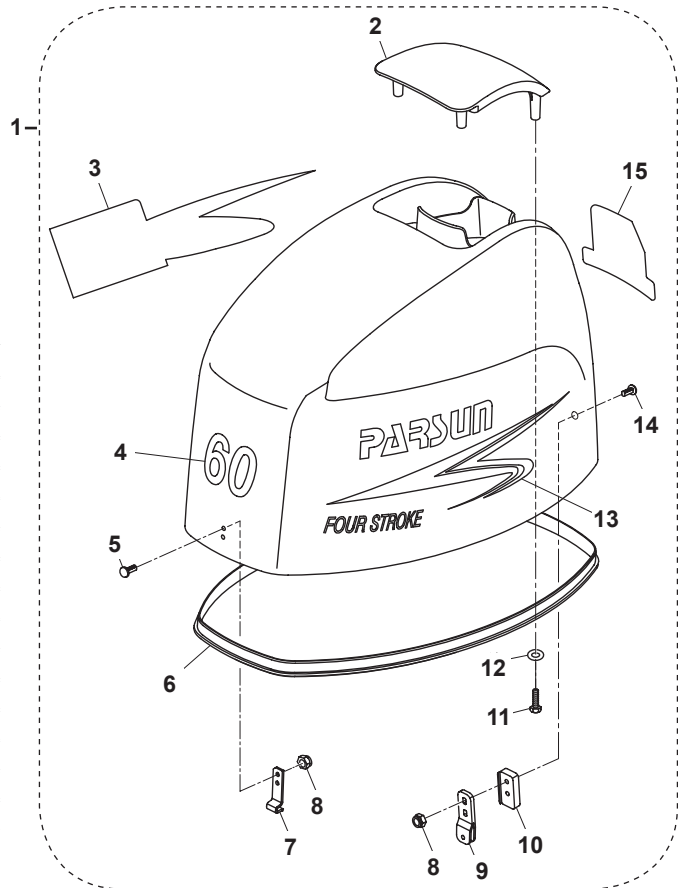




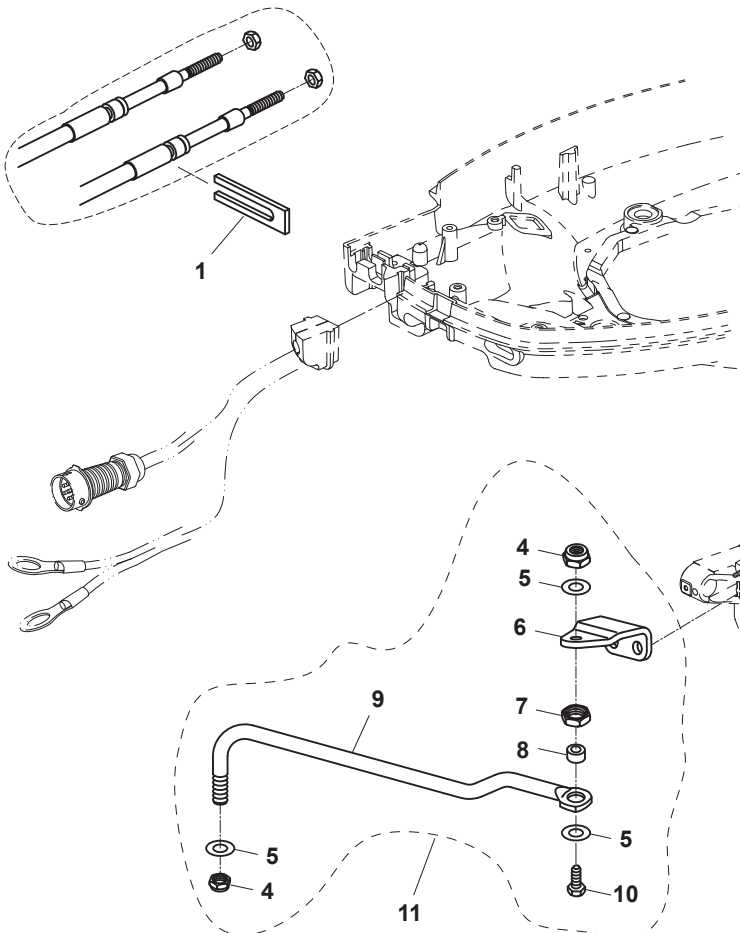
F60FWL-T / F50FWL-T

TAPA MOTOR / TOP COWLING ASSY / CALANDRA

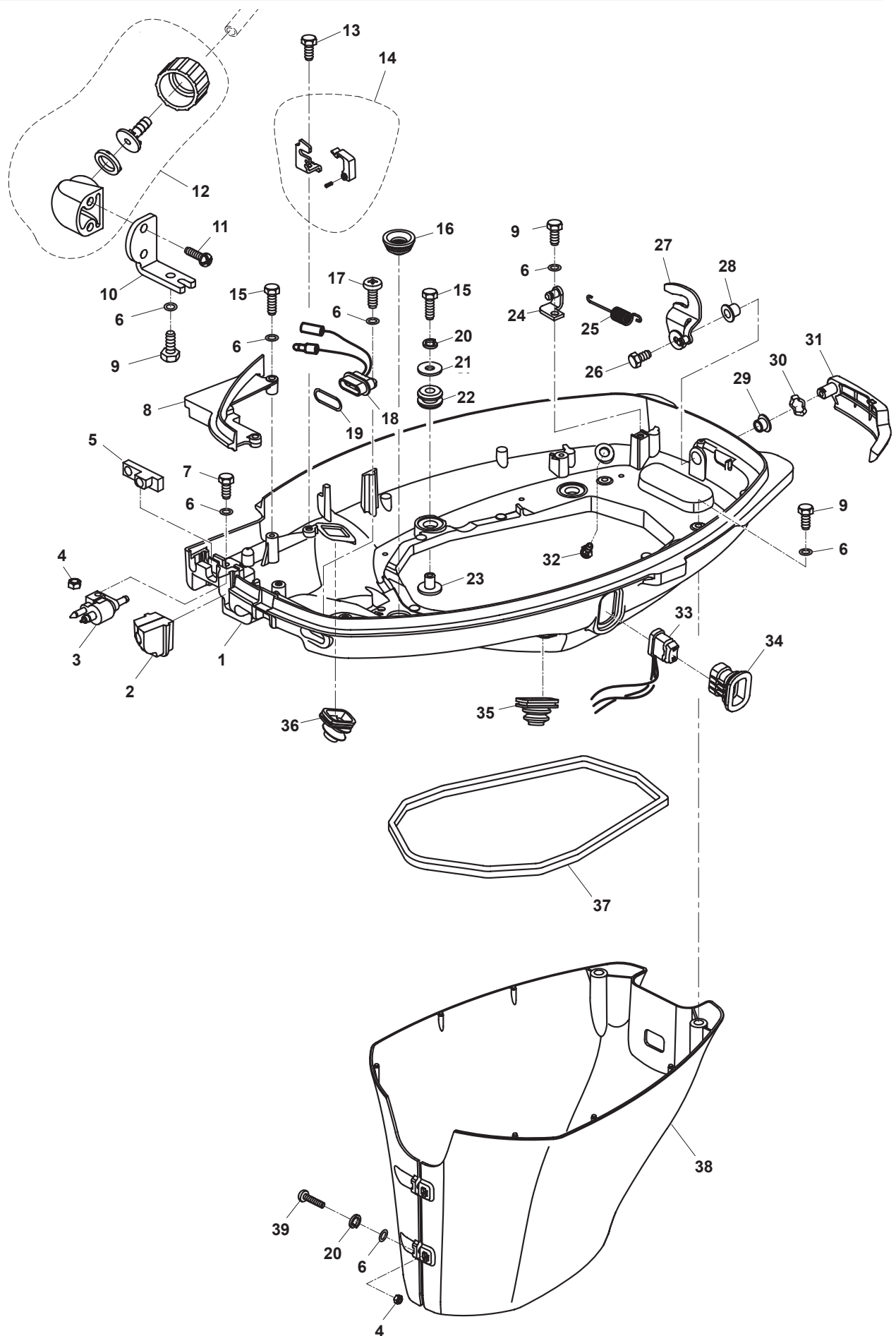
N°	Ref.	Description	Quantity
1	PAF60-07000000	TOP COWLING ASSY	1
2	PAF60-07000003	COVER, TOP COWLING	1
3	PAF40-08000002	MARK (RIGHT), TOP COWLING	1
4	PAF60-08000005	MARK (FRONT), TOP COWLING	1
5	PAF25-06000006	FLAT BOLT "B"	2
6	PAF60-07000002	RUBBER SEAL, TOP COWLING	1
7	PAF25-06000004	POTHOOK, FRONT	1
8	PAGB/T889.1-M6	LOCK NUT M6	4
9	PAF25-06000100	BACK POTHOOK ASSY	1
10	PAF60-07000004	SPACER, BACK POTHOOK ASSY	1
11	PAGB/T5783-M6x20	HEXAGON BOLT M6x20	4
12	PAGB/T97.1-6	WASHER, PLAIN 6	4
13	PAF40-08000001	MARK (LEFT), TOP COWLING	1
14	PAF40-06000007	FLAT BOLT "A"	2
15	PAF40-08000003	MARK (BACK), TOP COWLING	1



VARILLA ENLACE / LINK ROD / ASTICELLA DI UNIONE



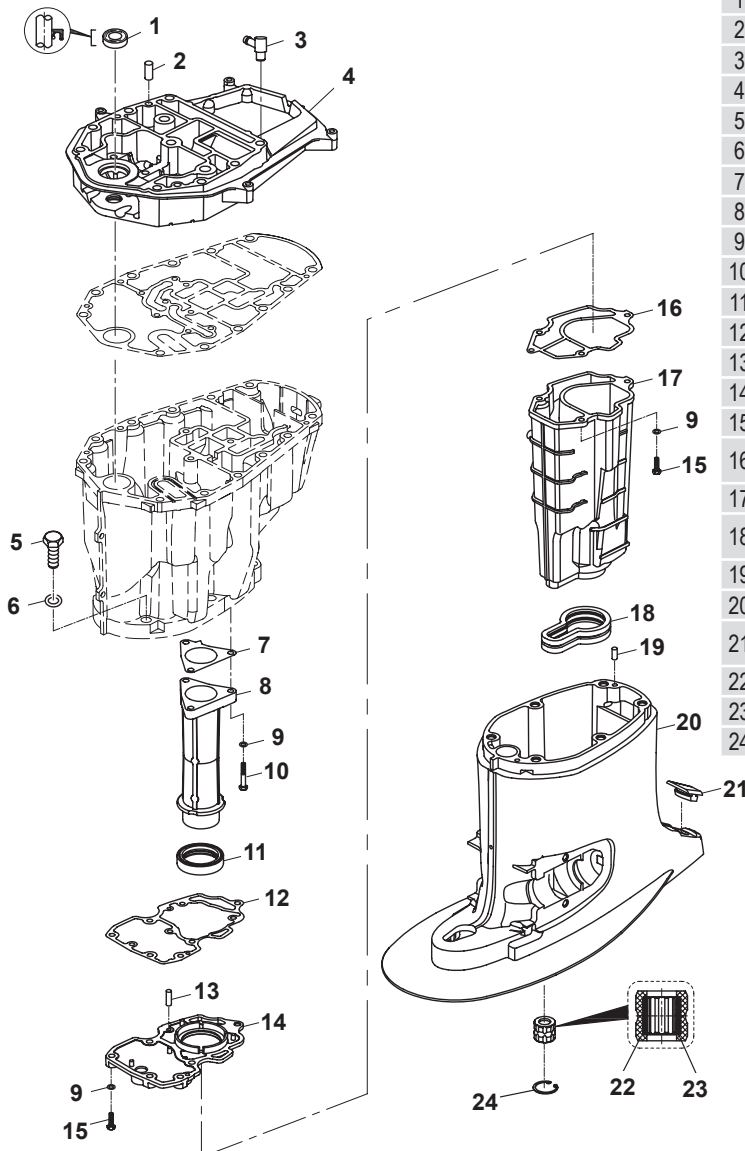
N°	Ref.	Description	Quantity
1	PAF60-03000007	PLATE, RINGENT	1
2	PAF25-01010012W	NUT, PLASTIC	1
3	PAJASOF40424-016	O-RING	1
4	PAF25-07000006W	THIN LOCKNUT	1
5	PAGB/T97.1-10	WASHER 10	2
6	PAF60-01000004	LING ROD	3
7	PAF25-07000304W	NUT	1
8	PAF25-07000303W	TUBE, BOLT	1
9	PAF25-07000301W	LINK ROD, TURNING	1
10	PAF25-07000302W	BOLT	1
11	PAF60-08000300W	LINK ROD ASSY	1



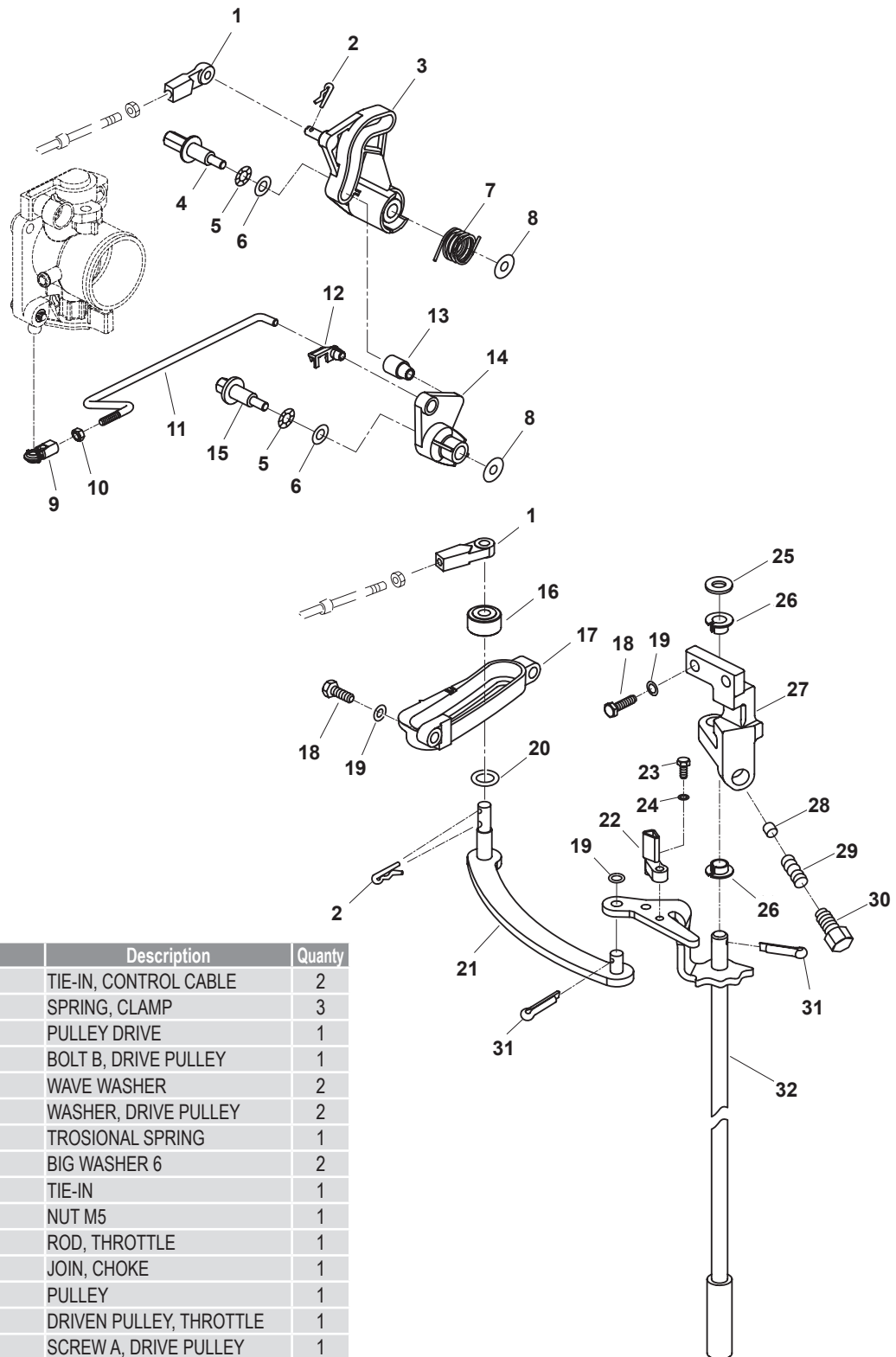
N°	Ref.	Description	Quantity
1	PAF60-03000001	BOTTOM COWLLING	1
2	PAF60-03000006FW	RUBBER PLUG	1
3	PAF4-05000200	FUEL PIPE TIE-IN ASSY	1
4	PAGB/T6170-M16	NUT M6	3
5	PAF60-03000005FW	BAFFLE BOARD, RUBBER	1
6	PAGB/T97.1-6	WASHER, PLAIN 6	10
7	PAGB/T5783-M16x25	BOLT M6x25	1
8	PAF60-03000003	COVER BOARD, BOTTOM COWLING	1
9	PAGB/T5783-M6x20	HEXAGON BOLT M6X20	4
10	PAF25-03000023W	BRACKET, JAM	1
11	PAGB/T845-ST5.5x19	SCREW, PAN HEAD ST5.5X19	2
12	PAF25-03000100W	JAM ASSY	1
13	PAGB/T5783-M6x14	BOLT M6X14	1
14	PAF60-03000300	FIXED BRACKET ASSY, CABLE	1
15	PAGB/T5783-M6x30	BOLT HEXAGON M6X30	6
16	PAF60-03000008	SHEATH, WAVE	1
17	PAGB/T823-M6x12	SCREW M6x12	1
18	PAF40-03000300EI	PILOT LAMP ASSY	1
19	PAF20-03000101	SEAL, PILOT LAMP	1
20	PAGB/T93-6	WASHER, SPRING 6	6

N°	Ref.	Description	Quantity
21	PAF25-00000004	BIG WASHER 6	4
22	PAF25-03000006	DAMPER	4
23	PAF25-03000007	BUSHING, DAMPER	4
24	PAF25-03000019	BRACKET ASSY, TENSIONAL SPRING	1
25	PAF15-05000026	SPRING, TENSION	1
26	PAGB/T5783-M6x12	BOLT, HEXAGON M6X12	1
27	PAF25-03020000	LOCKING ASSY, TOP COWLING	1
28	PAF15-05000036	BUSHING B	1
29	PAF15-05000022	BUSHING A	1
30	PAF15-05000023	WASHER, WAVE	1
31	PAF60-03000100	LOCKING HANDLE, TOP COWLING	1
32	PAF15-05000009	NIPPLE, PLASTIC	1
33	PAF40-03000600W	SWITCH ASSY, TILT	1
34	PAF40-03000008	JACKET, TILT SWITCH	1
35	PAT85-03000004	JACKET, BATTERY LINE	1
36	PAF25-03000022W	JACKET, WATER PIPE	1
37	PAF25-03000002	SEAL, BOTTOM COWLING	1
38	PAF60-00000014	COVER, UPPER CASING	1
39	PAGB/T818-M6x25	SCREW, PAN HEAD M6X25	2

COLA SUPERIOR / UPPER CASING / PARTE ALTA PIEDE



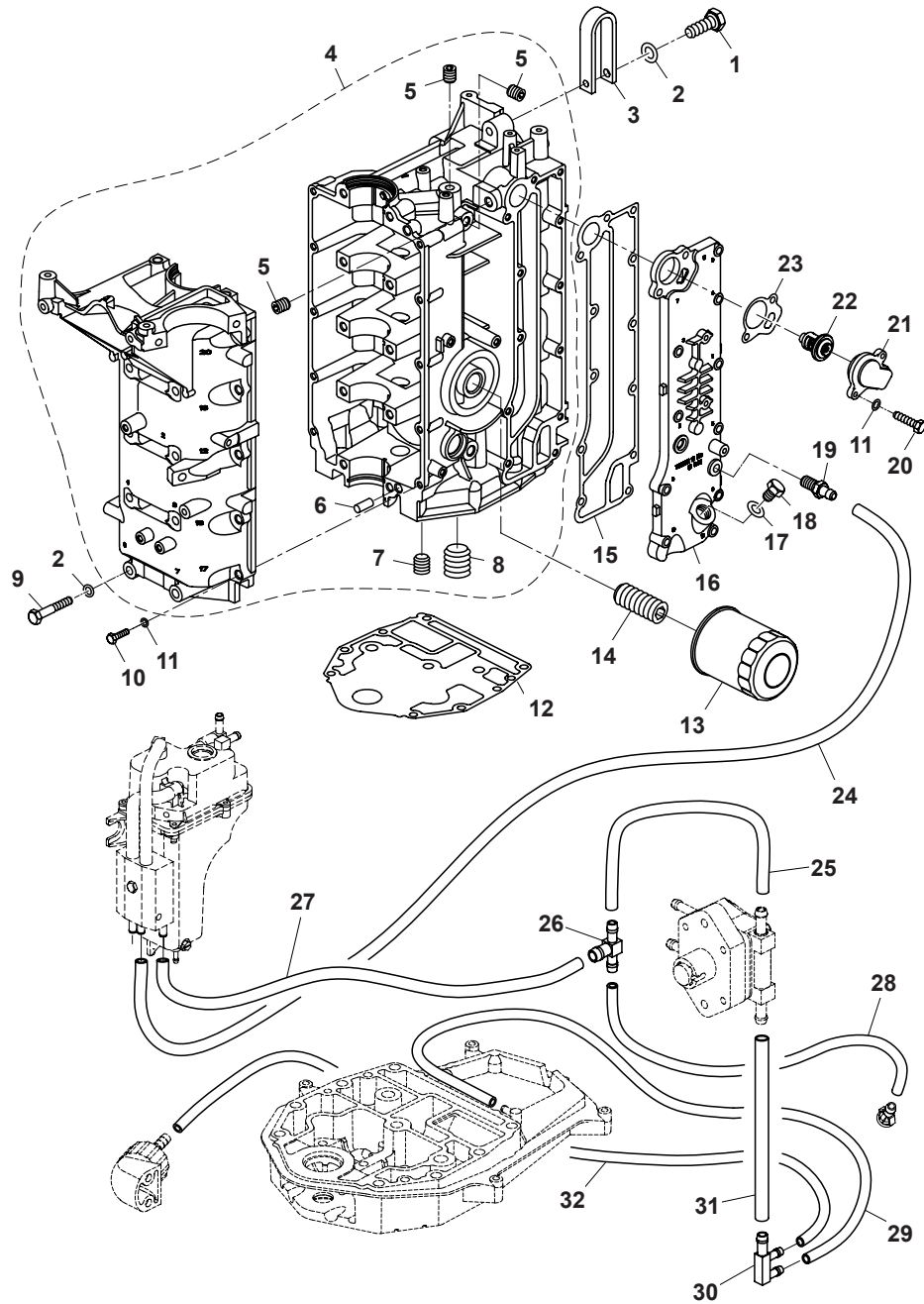
N°	Ref.	Description	Quantity
1	PAF60-02010002	OIL SEAL 18x32x9	1
2	PAF25-00000014	PIN, DOWEL	2
3	PAF15-04000005	WATER NOZZLE	1
4	PAF60-02010001	SEAT, EXHAUST MANIFOLD	1
5	PAT85-00000012	BOLT M10x1.25x45	6
6	PAGB/T97.1-10	WASHER 10	6
7	PAF60-02000013	GAST, EXHAUST PIPE	1
8	PAF60-02010007	EXHAUST GUIDE PIPE	1
9	PAGB/T97.1-6	WASHER, PLAIN 6	9
10	PAGB/T5782-M16x65	NUT M6x65	3
11	PAF60-02010012	GASKET, EXHAUST PIPE	1
12	PAF60-02010008	GASKET, EXHAUST PLATE	1
13	PAF25-04000007	PIN, DOWEL	2
14	PAF60-02010009	EXHAUST PLATE	1
15	PAGB/T5783-M16x25	NUT M6x25	6
16	PAF60-02010010	LOWER GASKET, EXHAUST PLATE	1
17	PAF60-02010011	EXHAUST MANIFOLD	1
18	PAF60-02000008	GASKET, EXHAUST MANIFOLD	1
19	PAF15-00000006	PIN, DOWEL	2
20	PAF60-02000001	UPPER CASING	1
21	PAF40-00000002	RUBBER PLUG, UPPER CASING	1
22	PAT36-02000006	RUBBER BUSHING	1
23	PAF60-02000003	BUSHING, DRIVER SHAFT	1
24	PAGB/T893.1-36	CIRCLIP 36	1



N°	Ref.	Description	Quantity
1	PAF25-07000005W	TIE-IN, CONTROL CABLE	2
2	PAF15-00000012	SPRING, CLAMP	3
3	PAF60-05000012	PULLEY DRIVE	1
4	PAF60-05000014-2	BOLT B, DRIVE PULLEY	1
5	PAF15-00000019	WAVE WASHER	2
6	PAF60-05000015	WASHER, DRIVE PULLEY	2
7	PAF60-05000013	TROSIONAL SPRING	1
8	PAJB/T96-6	BIG WASHER 6	2
9	PAF15-04040005	TIE-IN	1
10	PAGB/T6170-M5	NUT M5	1
11	PAF60-05000020	ROD, THROTTLE	1
12	PAF15-07130314W	JOIN, CHOKE	1
13	PAF60-05000018	PULLEY	1
14	PAF60-05000017	DRIVEN PULLEY, THROTTLE	1
15	PAF60-05000014-1	SCREW A, DRIVE PULLEY	1
16	PAT85-00010010	PULLEY, ACCELEROGRAPH	1
17	PAF60-00000008	BRACKET, ACCELEROGRAPH	1
18	PAGB/T5783-M6x20	HEXAGON BOLT M6X20	4
19	PAGB/T97.1-6	WASHER, PLAIN 6	5
20	PAT85-00010008	WASHER, NYLON	1
21	PAF60-00000300	ACCELEROGRAPH BAR ASSY	1
22	PAF60-00000006	ROCKER, INCHING SWITCH	1
23	PAGB/T5783-M5x14	BOLT M5x14	1
24	PAGB/T97.1-5	WASHER 5	1
25	PAGB/T848-10	SMALL WASHER 10	1

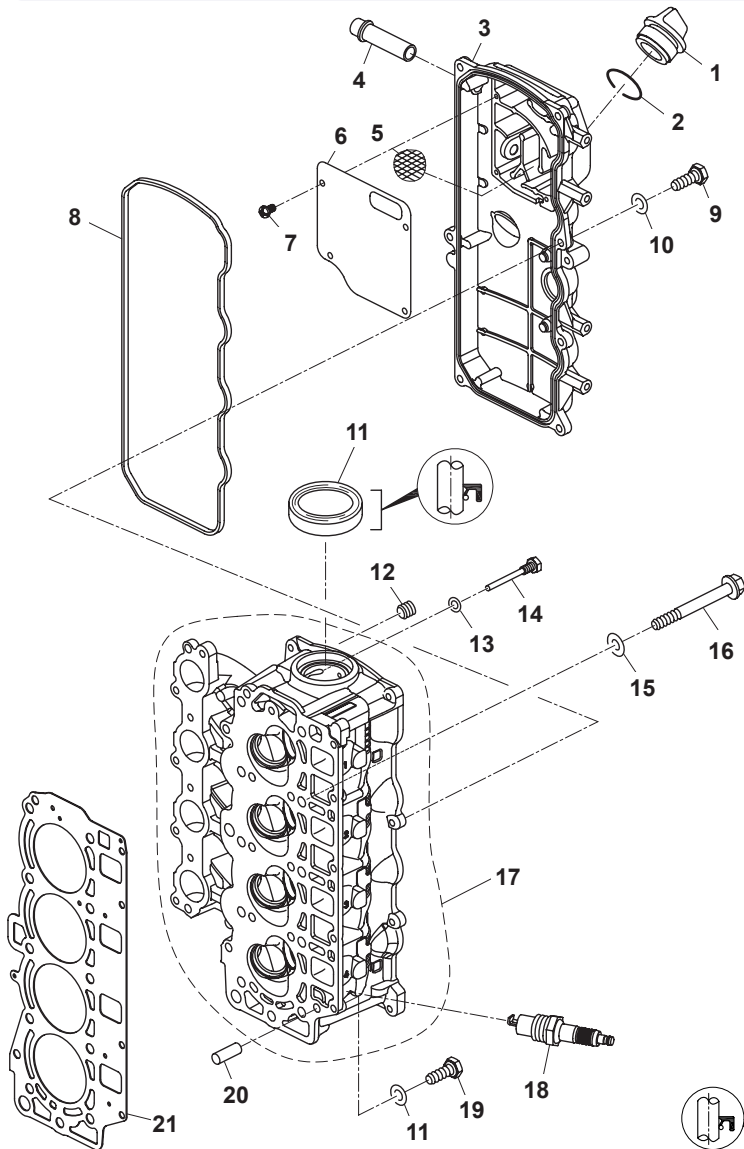
N°	Ref.	Description	Quantity
26	PAF60-00000205	BUSH, SHIFT ROD	2
27	PAF60-00000204	BRACKET, SHIFT ROD	1
28	PAT20-03000006	PLUNGER, SHIFT CAM	1
29	PAT60-00010003	SPRING PLUNGER	1
30	PAF60-00000009	SPRING PLUNGER	1
31	PAGB/T91-02x16	PIN 2x16	2
32	PAF60-00000200	CONNECTING ROD, SHIFTING	1

BLOQUE / CRANKCASE / BLOCCO



N°	Ref.	Description	Quantity	N°	Ref.	Description	Quantity
1	PAGB/T5782-M8x35	BOLT, HEXAGON M8X35	1	18	PAF40-05000037	JAM M18x1.5	1
2	PAGB/T97.1-8	WASHER 8	11	19	PAF25-05010113	NIPPLE, HOSE	1
3	PAF25-05010106	HANGER, ENGINE	1	20	PAGB/T5782-M6x35	BOLT M6X35	12
4	PAF60-05010000	CRANK CASE ASSY	1	21	PAF15-07010021	COVER, THERMOSTAT	1
5	PAF15-07010004	BLOCK, CYLINDER 1/8"	3	22	PAF15-07000031	THERMOSTAT	1
6	PAF25-00000014	PIN, DOWEL	2	23	PAF15-07010022	GASKET, THERMOSTAT	1
7	PAF25-05010104	JAM 1/2"	1	24	PAF60-05000028	WATER PIPE B 6x11x330	1
8	PAF25-05010103	JAM 3/4"	1	25	PAF60-05000047	WATER PIPE	1
9	PAF25-05000035	BOLT M8x80	10	26	PAF40-03000016	TWO WAY	1
10	PAF15-07000030	BOLT M6x35	10	27	PAF60-05000026	WATER PIPE A 6x10x500	1
11	PAGB/T97.1-6	WASHER, PLAIN 6	22	28	PAF60-05000030	WATER PIPE C 5x10x250	1
12	PAF40-00000003	GASKET, ENGINE	1	29	PAF60-05000037	WATER PIPE D 5x10x500	1
13	PAF25-05000100	OIL CLEANER	1	30	PAF60-05000050	F THREE WAY	1
14	PAF15-07010003	BOLT, UNION	1	31	PAF60-05000040	WATER PIPE F 6x10x100	1
15	PAF60-05000004	GASKET, EXHAUST COVER	1	32	PAF60-05000032	WATER PIPE	1
16	PAF60-05000005	EXHUST COVER	1				
17	PAF40-05000038	GASKET, JAM	1				

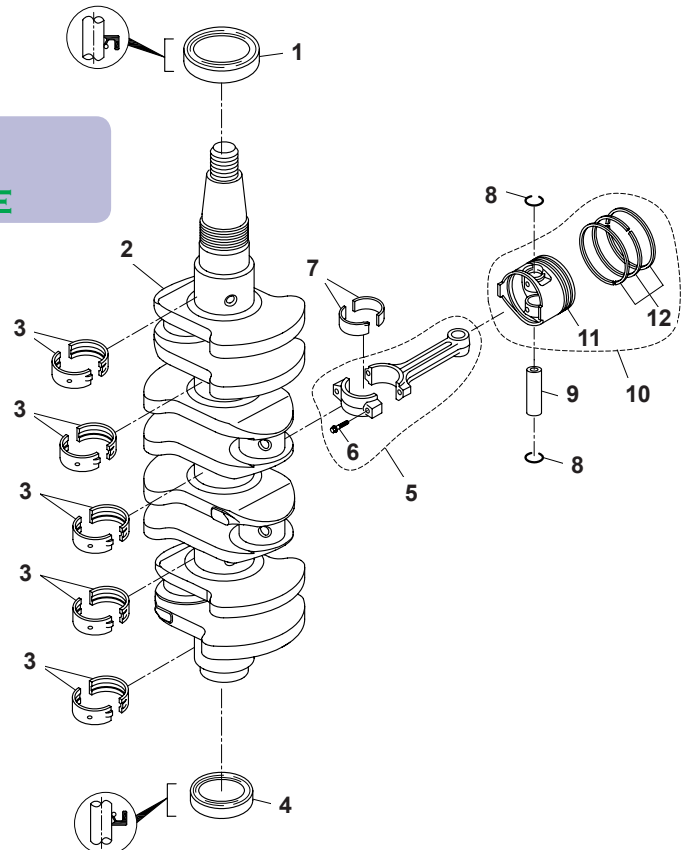
CULATA / CYLINDER HEAD / TESTATA



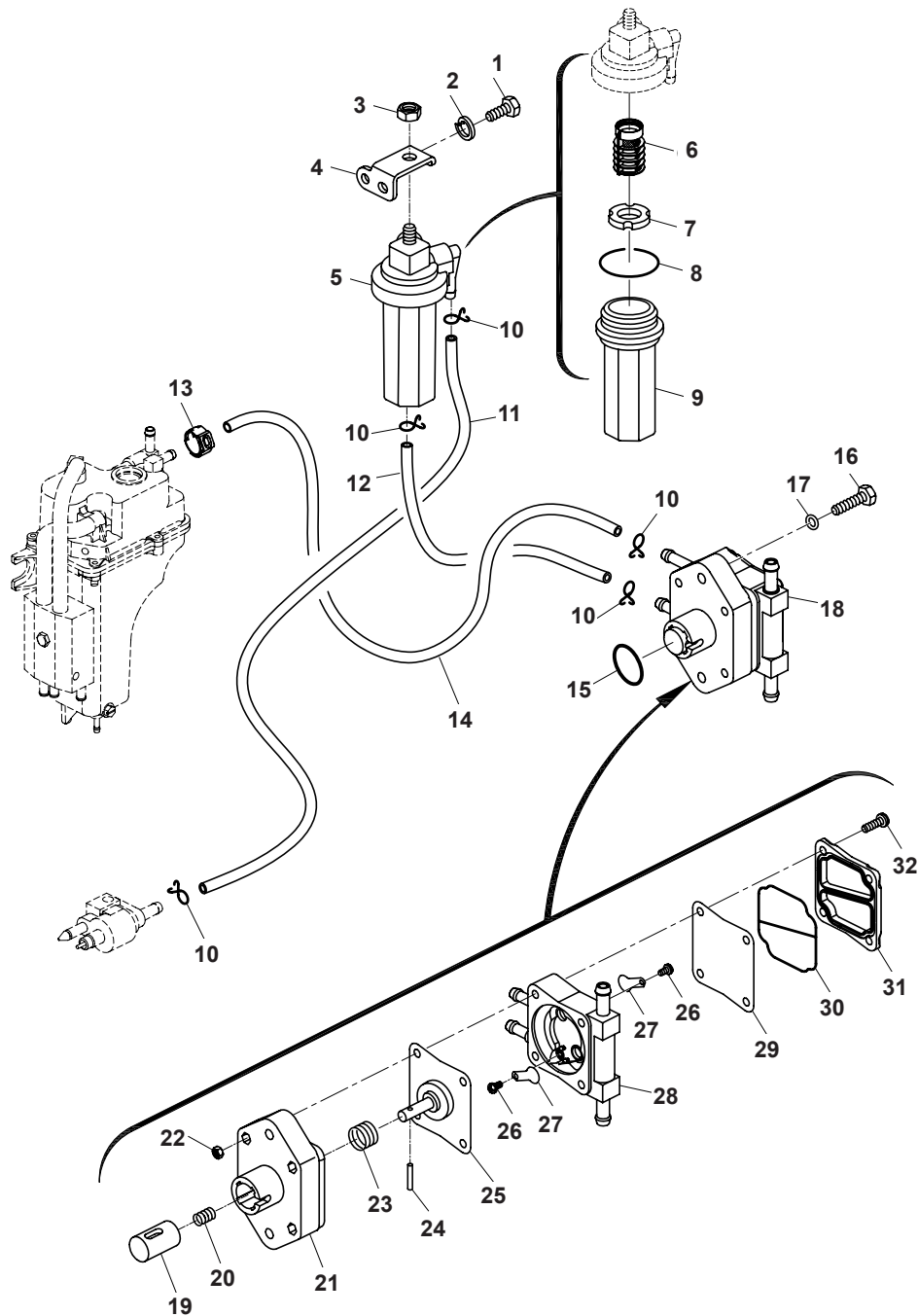
Nº	Ref.	Description	Quantity
1	PAF15-07050004	PLUG,OIL	1
2	PAASOF40435025	O RING, OIL PLUG	1
3	PAF60-05030001	COVER, CYLINDER HEAD	1
4	PAF40-5070042	CONNECTOR, BREATHER	1
5	PAF25-05010107	CLEANER	1
6	PAF60-05030002	COVER, BREATHER	1
7	PAGB/T818-M4x10	SCREW,PAN HEAD M4X10	4
8	PAF60-05000003	SEAL, CYLINDER HEAD COVER	1
9	PAGB/T5783-H16x20	BOLT M6x20	7
10	PAGB/T97.1-6	WASHER, PLAIN 6	11
11	PAF25-05050021	OIL SEAL	1
12	PAF15-07010005	PLUG 1/4	8
13	PAF25-05050007	GASKET	1
14	PAF25-05050006	BOLT	1
15	PAF25-05000003	WASHER, PLATE	10
16	PAF25-05000002	BOLT, FLANGE	10
17	PAF60-05020100	CYLINDER HEAD ASSY	1
18	NGKDPR7EA-9	SPARK PLUG DPR7EA-9	4
19	PAF8-05000022	BOLT M6x25	5
20	PAF25-00000014	PIN, DOWEL	2
21	PAF60-05000100	CYLINDER GASKET	1

CIGÜEÑAL Y PISTONES CRANKSHAFT & PISTON ALBERO MOTORE E PISTONE

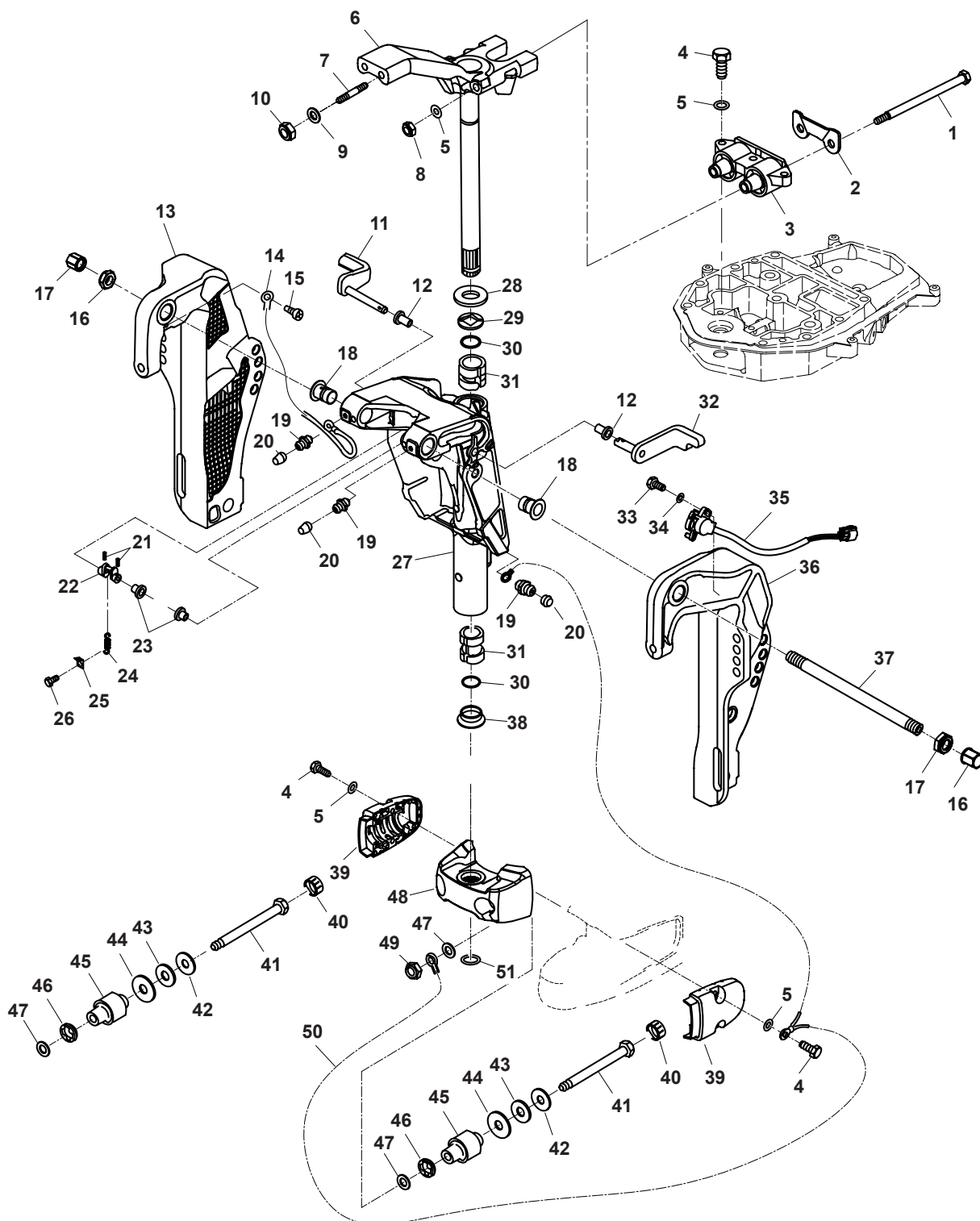
Nº	Ref.	Description	Quantity
1	PAF25-05020003	OIL SEAL B	1
2	PAF60-05000001	CRANK SHAFT	1
3	PAF25-05010302-1	MAIN BEARING	10
3	PAF25-05010302-2	MAIN BEARING	10
4	PAF25-05020002	OIL SEAL A	1
5	PAF25-05020200	ROD, CONNECTING	4
6	PAF25-05020204	BOLT, CONNECTING ROD	8
7	PAF25-05020203-1	PLANE BEARING, CONNECTING ROD (BLACK)	8
7	PAF25-05020203-2	PLANE BEARING, CONNECTING ROD (BROWN)	8
8	PAF25-05020106	CIRCLIP	8
9	PAF25-05020105	PIN, PISTON	4
10	PAF40-05020100	PISTON ASSY	4
11	PAF40-05020101	PISTON	4
12	PAF25-05020102	PISTON RING ASSY	4



BOMBA COMBUSTIBLE / FUEL SYSTEM / POMPA BENZINA



N°	Ref.	Description	Quantity	N°	Ref.	Description	Quantity
1	PAGB/T5783-M16x14	BOLT M6x14	1	17	PAGB/T97.1-6	WASHER, PLAIN 6	2
2	PAGB/T93-6	WASHER, SPRING 6	1	18	PAF40-05050000	FUEL PUMP ASSY	1
3	PAGB/T6170-M18	NUT M8	1	19	PAF25-05130004	PLUNGER	1
4	PAF40-05000036	BRACKET, FILTER CUP	1	20	PAF25-05130003	SPRING, PLUNGER	1
5	PAT85-05000300	FILTER CUP ASSY	1	21	PAF25-05130001	SEAT, FUEL PUMP	1
6	PAF15-07080001	ELEMENT, FILTER	1	22	PAGB/T6170-M15	NUT M5	4
7	PAT85-05000302	F10ATER	1	23	PAF25-05130002	SPRING, DIAPHRAGM	1
8	PAGB/T3452.1-32.5x1.8	WASHER, CUP FILTER Ø32.5x1.8	1	24	PAF25-05130008	ROLLER NEEDLE 4x16.5	1
9	PAT85-05000301	CUP, FILTER	1	25	PAF25-05130100	DIAPHRAGM ASSY	1
10	PAF4-04000030	SPRING, FUEL PIPE"B"	6	26	PAF4-04090011	SCREW, VALVE	2
11	PAF60-03000012	FUEL PIPE A 5x10x650 (EPA)	1	27	PAF4-04090005	PLATE	2
12	PAF60-05000051E1	FUEL PIPE (EPA)	1	28	PAF40-05050200	FUEL PUMP SHELL ASSY	1
13	PAS7133-13.3	SINGLE LUG CLAMP	1	29	PAF25-05130005	DIAPHRAGM, TOP	1
14	PAF60-05000006	FUEL PIPE B 6x12.5x730 (EPA)	1	30	PAF25-05130006	SEAL, FUEL PUMP	1
15	PAGB/T3452.1-25x3.0	O-RING 25x3.0	1	31	PAF25-05130007	COVER, FUEL PUMP	1
16	PAGB/T5783-M16x30	BOLT M6x30	2	32	PAGB/T818-M5x40	SCREW M5x40	4

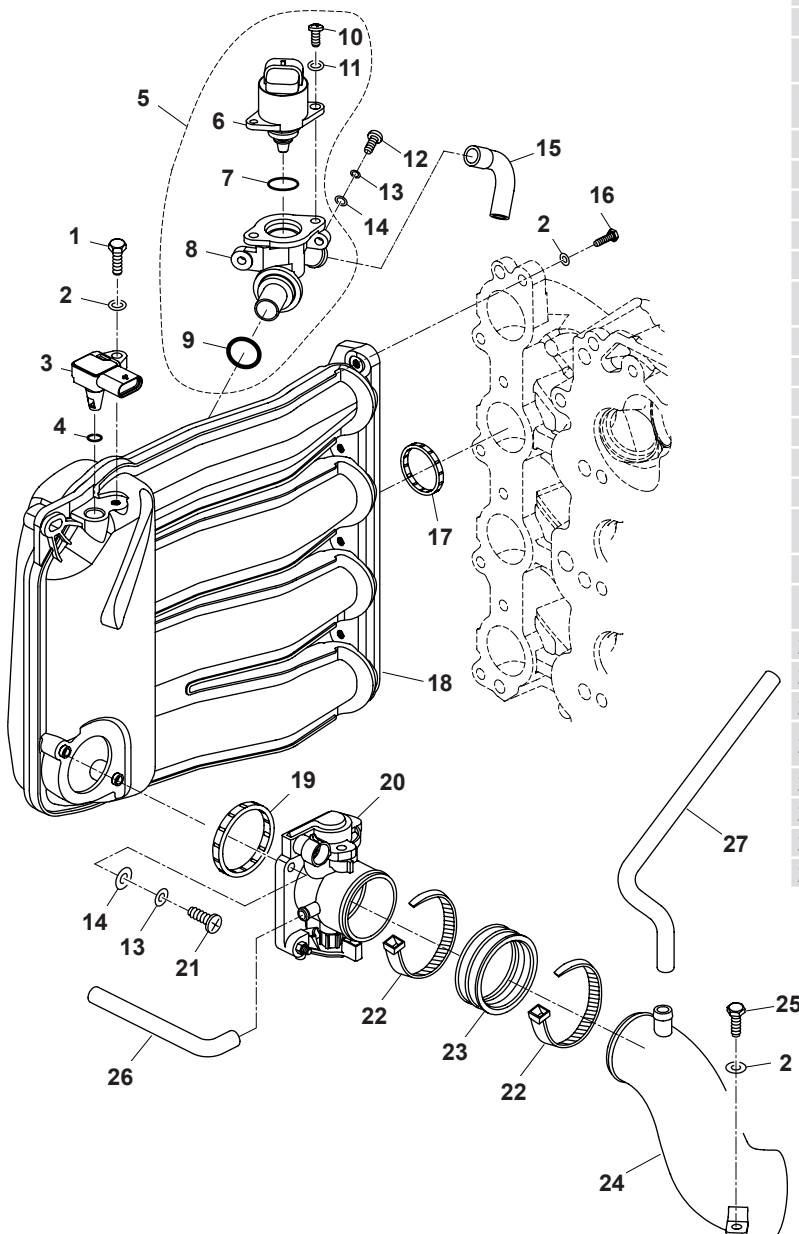


N°	Ref.	Description	Quantity	N°	Ref.	Description	Quantity
1	PAF60-02000011	LONG BOLT	2	10	PAGB/T889.2-M110x1.25	LOCK NUT M110x1.25	2
2	PAF60-02000010	PLATE, ABSORBER	1	11	PAF60-01010104	SUPPORTING ASSY B	1
3	PAF60-02020000	SHOCK ABSORBER ASSY, DOUBLE HOLE	1	12	PAT85-01010203	BUSH, NYLON	2
4	PAGB/T5783-M8x30	BOLT M8X30	7	13	PAF60-01010002	BRACKET, CLAMP (RIGHT)	1
5	PAGB/T97.1-8	WASHER 8	9	14	PAT85-01010003	WIRE, LEAD A	1
6	PAF60-01020000	BRACKET, ASSY	1	15	PAGB/T818-M6x10	SCREW, PAN HEAD M6X10	1
7	PAT85-01020008	BOLT M10x1.25x28	2	16	PAF15-01010007	NUT, SELF-LOCKING	2
8	PAGB/T889.1-M18x1.25	LOCK NUT M8x1.25	2	17	PAF25-01010011	NUT, PLASTIC	2
9	PAGB/T97.1-10	WASHER 10	2	18	PAF60-01010004	BUSH, NYLON	2

Nº	Ref.	Description	Quantity
19	PAJB/T7940.1-M6	NIPPLE, GREASE	3
20	PAT85-01010210	CAP, GREASE NIPPLE	3
21	PAGB/T879.2-3x16	PIN, SPRING	2
22	PAT85-01010206	BAR ASSY, SUPPORT BRACKET	1
23	PAF60-01010103	BUSH, NYLON	2
24	PAT85-01010207	SPRING	1
25	PAT85-01010208	PLATE	1
26	PAGB/T5783-M6x10	BOLTM6X10	1
27	PAF60-01010101	BRACKET	1
28	PAT85-01020002	WASHER	1
29	PAT85-01020003	BUSH	1
30	PAT85-01020004	O-RING	2
31	PAT85-01020005	BUSH	2
32	PAF60-01010102	SUPPORTING ASSY A	1
33	PAGB/T5783-M6x20	HEXAGON BOLT M6X20	2
34	PAGB/T97.1-6	WASHER, PLAIN 6	2
35	PAF60-01010200	RAISE SENSOR ASSY	1

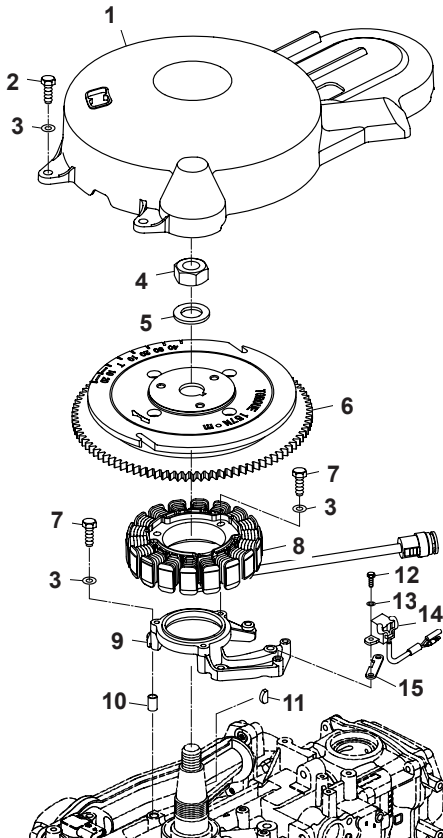
Nº	Ref.	Description	Quantity
36	PAF60-01010001	BRACKET, CLAMP (RIGHT)	1
37	PAF60-01010003A	DOUBLE-EDGED TUBE	1
38	PAT85-01020006	BUSH	1
39	PAF60-00000005	COVER, ABSORBER	2
40	PAF60-00000004	COVER, NUT	2
41	PAF60-00000001	SCREW, ABSORBER	2
42	PAT85-00000002	WASHER A	2
43	PAT36-02020003	WASHER, RUBBER	2
44	PAF60-00000003	PLATE	2
45	PAF60-00000100	ABSORBER ASSY (LEFT, RIGHT)	2
46	PAF60-00000002	WHASER, RUBBER	2
47	PAT85-00000020	WAHSER	4
48	PAF60-01000001	ABSORBER BLOCK	1
49	PAGB/T6170-M12x1.25	LOCK NUT	2
50	PAF60-02000002	TIGHTWIRE, EARTHING	1
51	PAT85-01020010	CIRCLIP	1

ADMISIÓN / INTAKE / ASPIRAZIONE



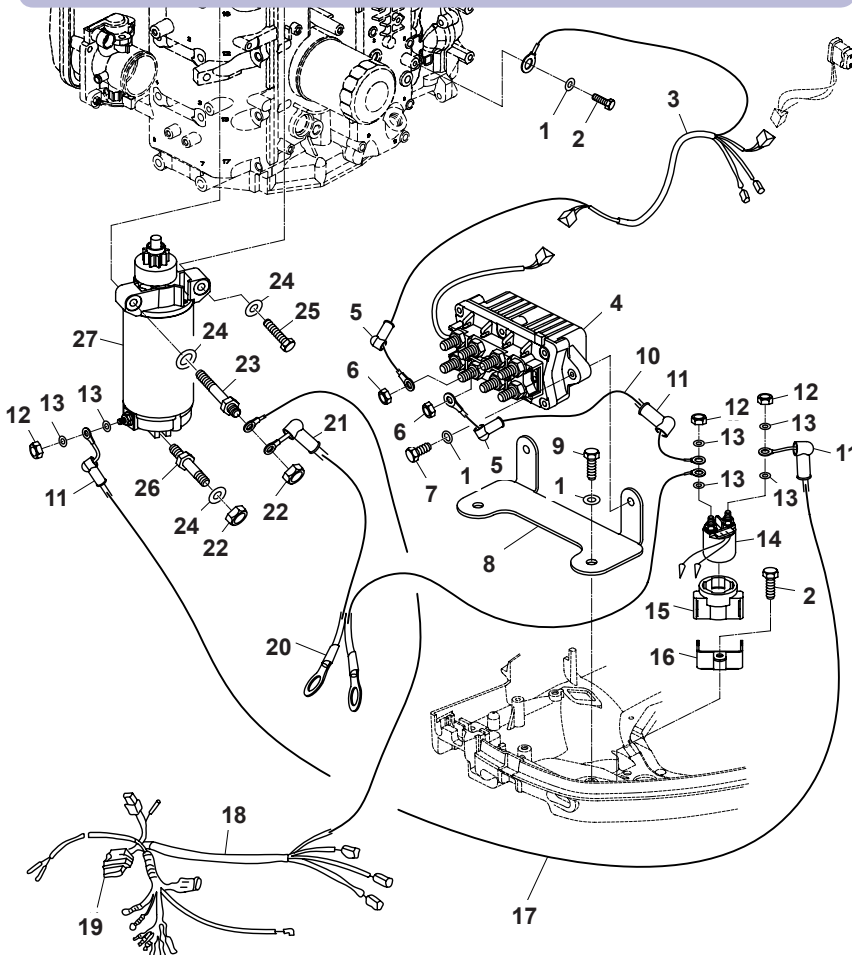
Nº	Ref.	Description	Quantity
1	PAGB/T5783-M6x20	HEXAGON BOLT M6X20	1
2	PAGB/T97.1-6	WASHER, PLAIN 6	9
3	PAF40-05090600E1	SENSOR, INTAKE TEMPERATURE	1
4	PAF40-05090601E1	O-RING, TEMPERATURE SENSOR	1
5	PAF40-05090500E1	CONTROL VALVE, IDLE	1
6	PAF40-05090503E1	STEP MOTOR	1
7	PAF40-05090503-1E1	O-RING, STEP MOTOR	1
8	PAF40-05090501E1	IDLE CONTROL	1
9	PAF40-05090502E1	O RING, IDLE VALVE	1
10	PAGB/T818-M4x10	SCREW, PAN HEAD M4X10	2
11	PAGB/T97.1-4	WASHER 4	2
12	PAGB/T818-M5x14	BOLT M5x14	2
13	PAGB/T93-5	SPRING WASHER 5	4
14	PAGB/T97.1-5	WASHER 5	4
15	PAF40-05000026E1	IDLE CONTROL PIPE	1
16	PAGB/T5783-M6x25	HEXAGON BOLT M6x25	6
17	PAF40-05090803E1	SEAL, INTAKE SILENCER	3
18	PAF60-05001100	INTAKE SILENCER	1
19	PAF40-05090403E1	SEAL, THROTTLE VALVE	1
20	PAF40-05090400E1	THROTTLE VALVE ASSY	1
21	PAGB/T818-M5x20	BOLT M5x20	2
22	PAHT4.0x300	CLAMP 4.0x300	2
23	PAF40-05090408E1	RUBBER BOOT, THROTTLE VALVE	1
24	PAF60-05000043	GUILD PIPE, THROTTLE	1
25	PAGB/T5783-M6x16	HEXAGON BOLT M6X16	1
26	PAF60-05000011	AIR PIPE A	1
27	PAF60-05000048	AIR PIPE	1

ELECTRICIDAD 1 / ELECTRICAL 1 / PARTE ELETTRICA 1



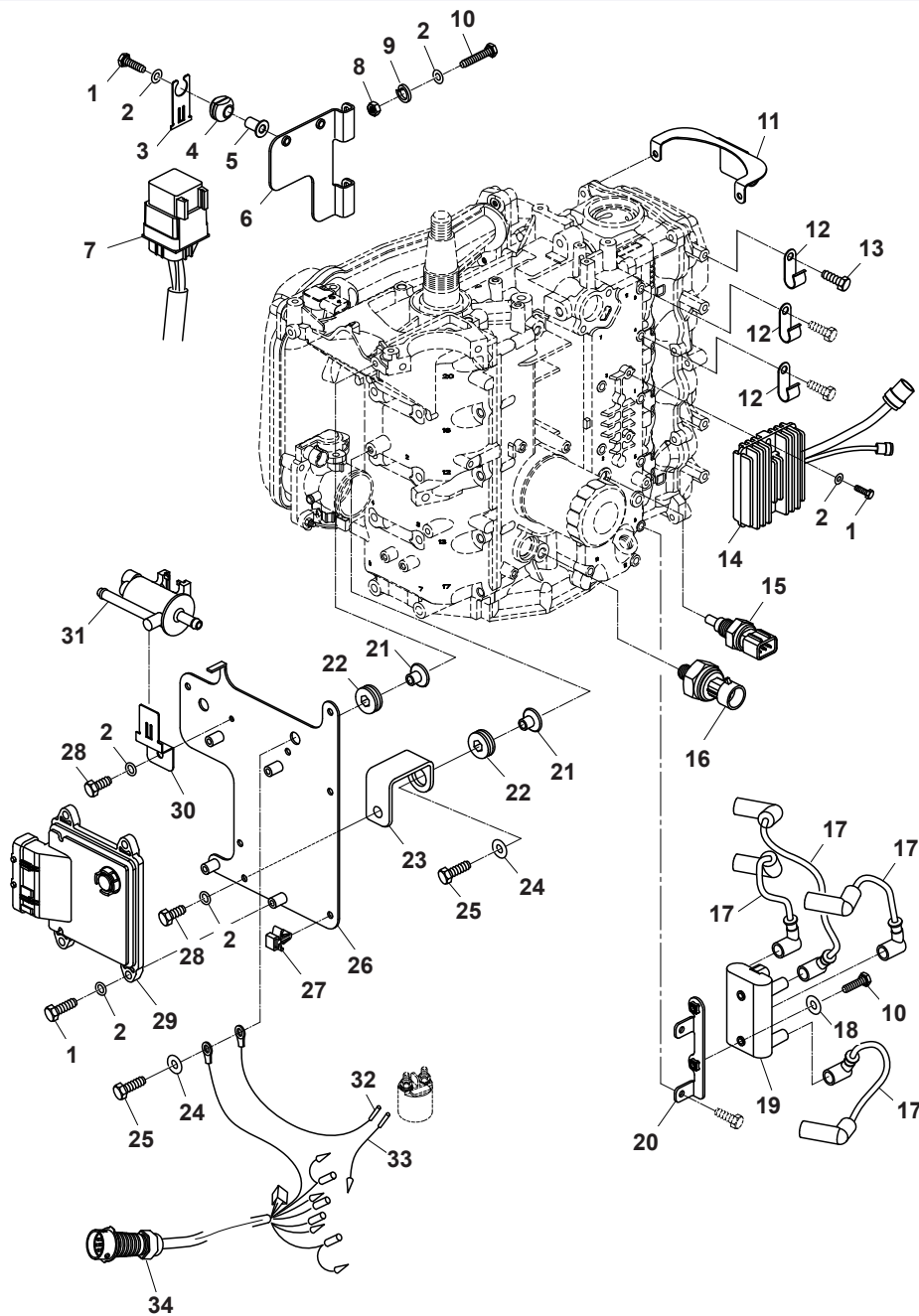
N°	Ref.	Description	Qty
1	PAF60-05000041	COVER, FLY WHEEL	1
2	PAGB/T5783-M6x20	HEXAGON BOLT M6X20	4
3	PAGB/T97.1-6	WASHER, PLAIN 6	11
4	PAF25-05000026	NUT	1
5	PAF25-05000025	WASHER, FLYWHEEL NUT	1
6	PAF60-05000300	FLY WHEEL	1
7	PAGB/T5783-M6x30	BOLT HEXAGON M6X30	7
8	PAF40-05000600EI	MAGNETO COIL ASSY	1
9	PAF40-05000034	BRACKBT, COIL	1
10	PAF8-00000005	DOWEL PIN Ø8x10	2
11	PAF25-05000024	KEY, SEMISIRCLE FLYWHEEL	1
12	PAGB/T5783-M5x12	BOLT M5X12	2
13	PAGB/T97.1-5	WASHER 5	2
14	PAF60-05000200	IMPULSE COIL ASSY	1
15	PAF60-05000052	PLATE, IMPULSE	1

ELECTRICIDAD 2 ELECTRICAL 2 PARTE ELETTRICA 2



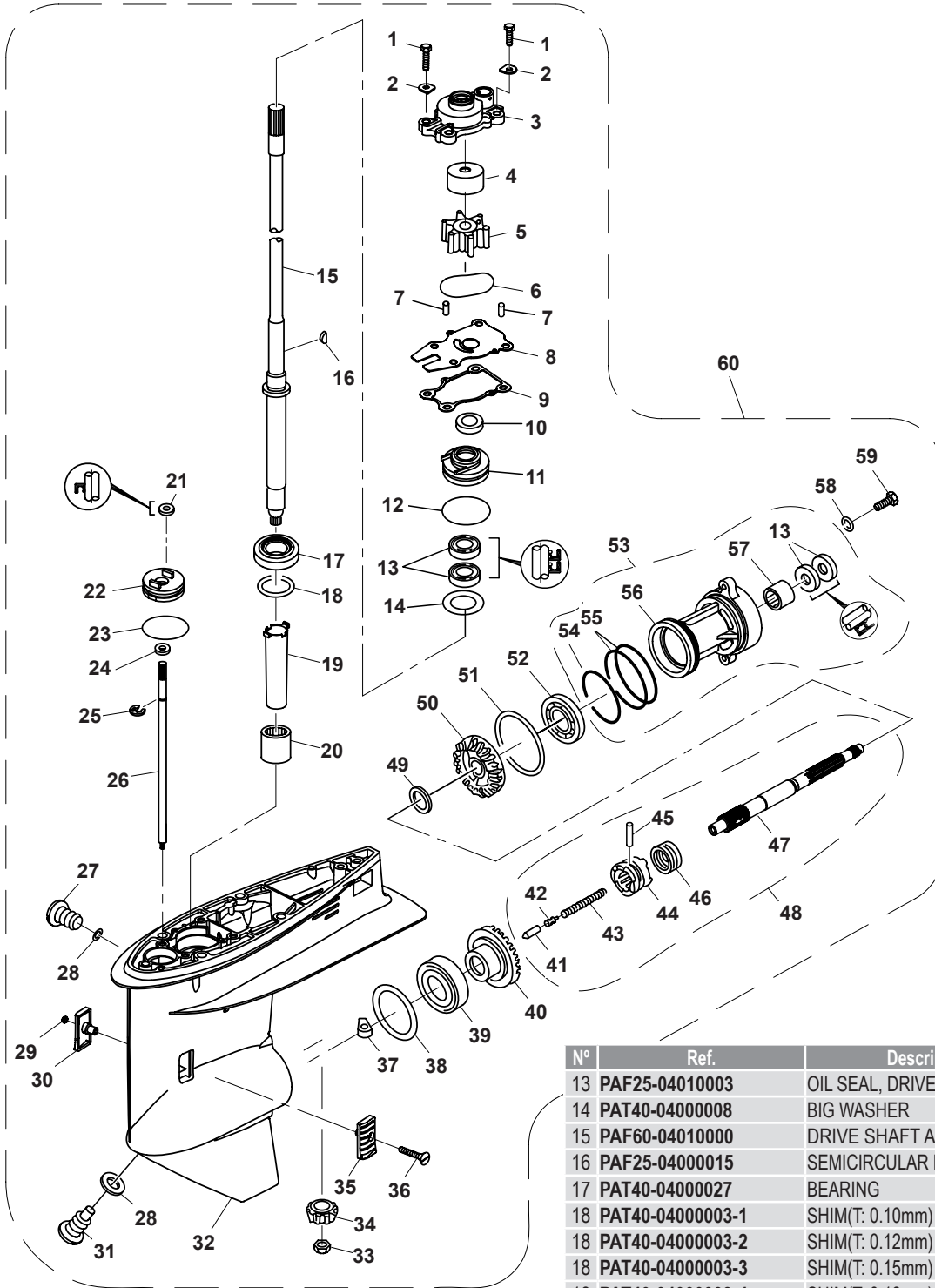
N°	Ref.	Description	Qty
1	PAGB/T97.1-6	WASHER, PLAIN 6	5
2	PAGB/T5783-M6X10	BOLTM6X10	2
3	PAF60-05000800	WIRING HARNESS, HYDRAULIC TILT	1
4	PAT85-05030200	RELAY ASSY JACKET, POWER CONNECTING WIRE	1
5	PAF15-07150501W	CONNECTING WIRE	2
6	PAGB/T6170-M6	NUT M6	2
7	PAGB/T5783-M6X20	HEXAGON BOLT M6X20	2
8	PAF40-03000013EI	FIXED BRACKET, TILT RELAY	1
9	PAGB/T5783-M6X12	BOLT, HEXAGON M6X12	2
10	PAT85-05030002	CONNECT LINE, RELAY COVERING B, POWER SOURCE LINE	1
11	PAF25-05170202W	CONNECT LINE, ELECTROMOTOR	3
12	PAGB/T6170-IV16	NUT M6	3
13	PAGB/T97.1-6	WASHER, PLAIN 6	6
14	PAF15-07150300W	RELAY, MOTOR	1
15	PAF15-07150301W	JACKET, RELAY	1
16	PAT60-03000300W	RELAY BRACKET	1
17	PAT85-05000022	CONNECT LINE, WIRING HARNESS, ECU CONTROL	1
18	PAF60-05000900	WIRING HARNESS, ECU CONTROL	1
19	PAF40-05001000-1EI	FUSE WIRE (40A)	1
	PAF40-05001000-2EI	FUSE WIRE (20A)	1
	PAF40-05001000-3EI	FUSE WIRE (15A)	1
	PAF40-05001000-4EI	FUSE WIRE (7.5A)	1
20	PAT85-05000023	CONNECTION LINE, POWER COVERING A, POWER SOURCE LINE	1
21	PAF25-05170201W	CONNECTION LINE, POWER SOURCE LINE	1
22	PAGB/T6170-M8	NUT M8	1
23	PAF25-05170001W	FIXATION BOLT, MOTOR	1
24	PAGB/T97.1-8	WASHER 8	3
25	PAGB/T5783-M8X45	BOLT M8x45	1
26	PAF60-05000042	SCREW, START MOTOR	1
27	PAF60-05000500	START MOTOR	1

ELECTRICIDAD 3 / ELECTRICAL 3 / PARTE ELETTRICA 3



Nº	Ref.	Description	Quantity	Nº	Ref.	Description	Quantity
1	PAGB/T5783-M6x25	HEXAGON BOLT M6x25	8	18	PAGB/T96-6	LARGE WASHER 6	2
2	PAGB/T97.1-6	WASHER, PLAIN 6	12	19	PAF60-05000600	IGNITION COIL	1
3	PAF40-05091401EI	BRACKET, MAIN RELAY	2	20	PAF60-05000023	FIXED PLATE, IGNITION COIL	1
4	PAF40-05091402EI	DAMPER, MAIN RELAY	2	21	PAF15-07000021	BUSHING, INTAKE SILENCER	3
5	PAT40-05000028	TUBE, IGNITER	2	22	PAF8-05000007	DAMPER	3
6	PAF40-05000060EI	FIXED PLATE, MAIN RELAY	1	23	PAF60-05000031	FIXED PLATE	1
7	PAF40-05091400EI	MAIN RELAY	2	24	PAFS-05000021	BIG WASHER	3
8	PAGB/T6170-M6	NUT M6	2	25	PAGB/T5783-M6x20	HEXAGON BOLT M6X20	3
9	PAGB/T93-6	WASHER, SPRING 6	2	26	PAF40-05000009-1EI	FIXED PLATE, ECU	1
10	PAGB/T5782-M6x35	BOLT M6X35	2	27	PAHDB-6x1.5	FIXED SEAT	4
11	PAF40-05000059EI	CLAMP C	4	28	PAGB/T5783-M6x12	BOLT, HEXAGON M6X12	2
12	PAF40-05000003	CLAMP	1	29	PAF60-05001000	ECU UNIT	1
13	PAGB/T5783-M6x10	BOLTM6X10	3	30	PAF40-05000049EI	FIXED PLATE, MAGNETIC VALVE	1
14	PAF40-05000500EI	RECTIFIER ASSY	1	31	PAF40-05091500EI	MAGNETIC VALVE, CARBON POT	1
15	PAF40-05090700EI	SENSOR, WATER TEMPERATURE	1	32	PAF60-05000036	CONNECT WIRE (BLACK), RELAY	1
16	PAF40-05000042EI	OIL PRESSURE SENSOR	1	33	PAT85-05030003	CONNECT WIRE (ROWN),RELAY	1
17	PAF60-05000601	HIGH VOLTAGE WIRE	4	34	PAF40-05030500EI	C.D.I CABLE ASSY	1

COLA INFERIOR 1 / LOWER CASING & DRIVE 1 / PARTE INFERIORE PIEDE 1



N°	Ref.	Description	Quantity
1	PAGB/T5783-M8x30	BOLT M8X30	4
2	PAT40-04000012	PLATE, WATER PUMP	4
3	PAF60-04000401	WATER PUMP COVER	1
4	PAT40-04000202	INNER SHELL, WATER PUMP	1
5	PAF60-04000300	IMPELLER, WATER PUMP	1
6	PAT40-04000205	O-RING	1
7	PAF25-04000007	PIN, DOWEL	2
8	PAF60-04000009	OUTER PLATE	1
9	PAT40-04000010	GASKET, WATER PUMP SEAT	1
10	PAF60-04000008	COVER, OIL SEAL	1
11	PAT40-04040001	CASING A, OIL SEAL	1
12	PAJASOF40424-50	O RING, OIL SEAL CASING	1

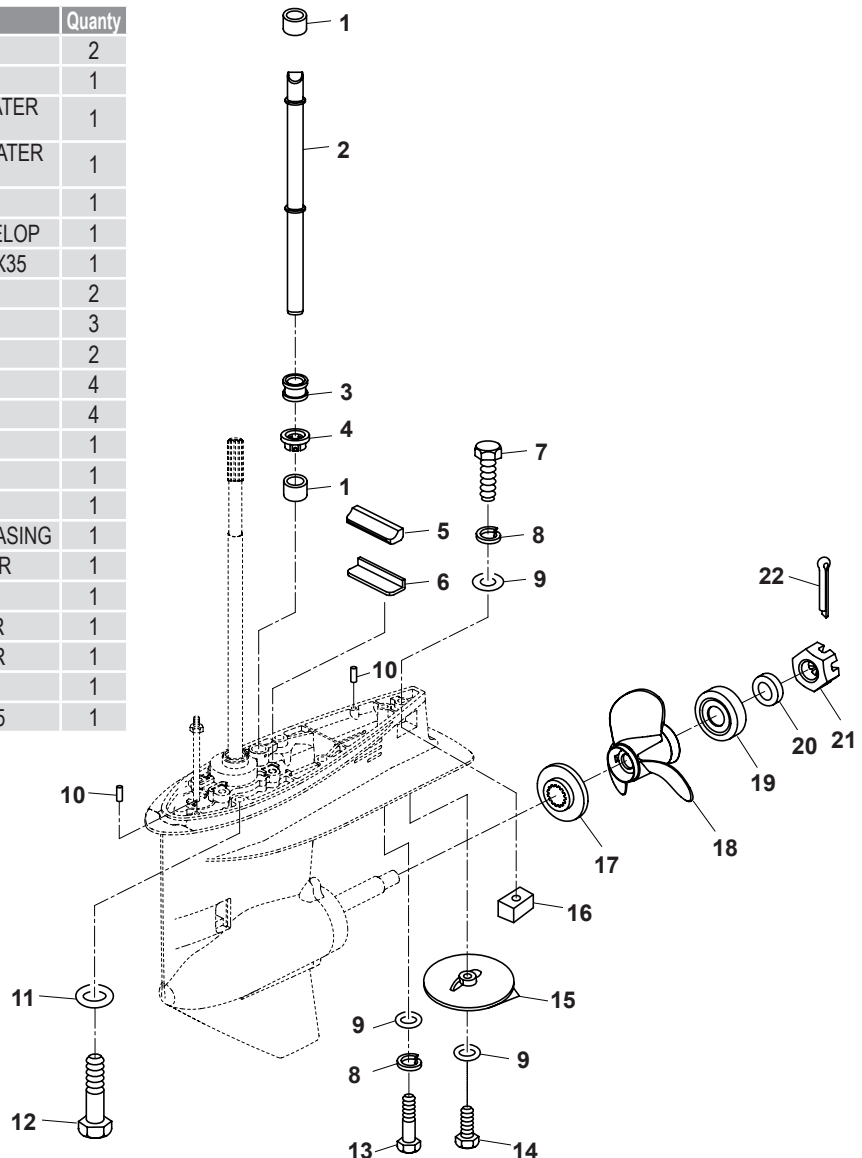
N°	Ref.	Description	Quantity
13	PAF25-04010003	OIL SEAL, DRIVE SHAFT	4
14	PAT40-04000008	BIG WASHER	1
15	PAF60-04010000	DRIVE SHAFT ASSY	1
16	PAF25-04000015	SEMICIRCULAR KEY	1
17	PAT40-04000027	BEARING	1
18	PAT40-04000003-1	SHIM(T: 0.10mm)	
18	PAT40-04000003-2	SHIM(T: 0.12mm)	
18	PAT40-04000003-3	SHIM(T: 0.15mm)	
18	PAT40-04000003-4	SHIM(T: 0.18mm)	
18	PAT40-04000003-5	SHIM(T: 0. 30mm)	
18	PAT40-04000003-6	SHIM(T: 0. 40mm)	
18	PAT40-04000003-7	SHIM(T: 0. 50mm)	
19	PAT40-04000002	BUSHING, NYLON	1
20	PAT40-04000026	BEARING	1
21	PAT85-04000011	OIL SEAL,CAM SHAFT 9x19x5	1
22	PAF60-04000101	COVER, SHIFTING CAM	1
23	PAJASOF40431-035	O-RING	1
24	PAJASOF40419-007	O-RING BOLT	1
25	PAGB/T896-8	CIRCLIP 8	1
26	PA60-04000004	SHIFTING CAM	1
27	PAF4-03000023	PLUG, GEAR BOX	1
28	PAF4-03000024	GASKET, GEAR BOX PLUG	2

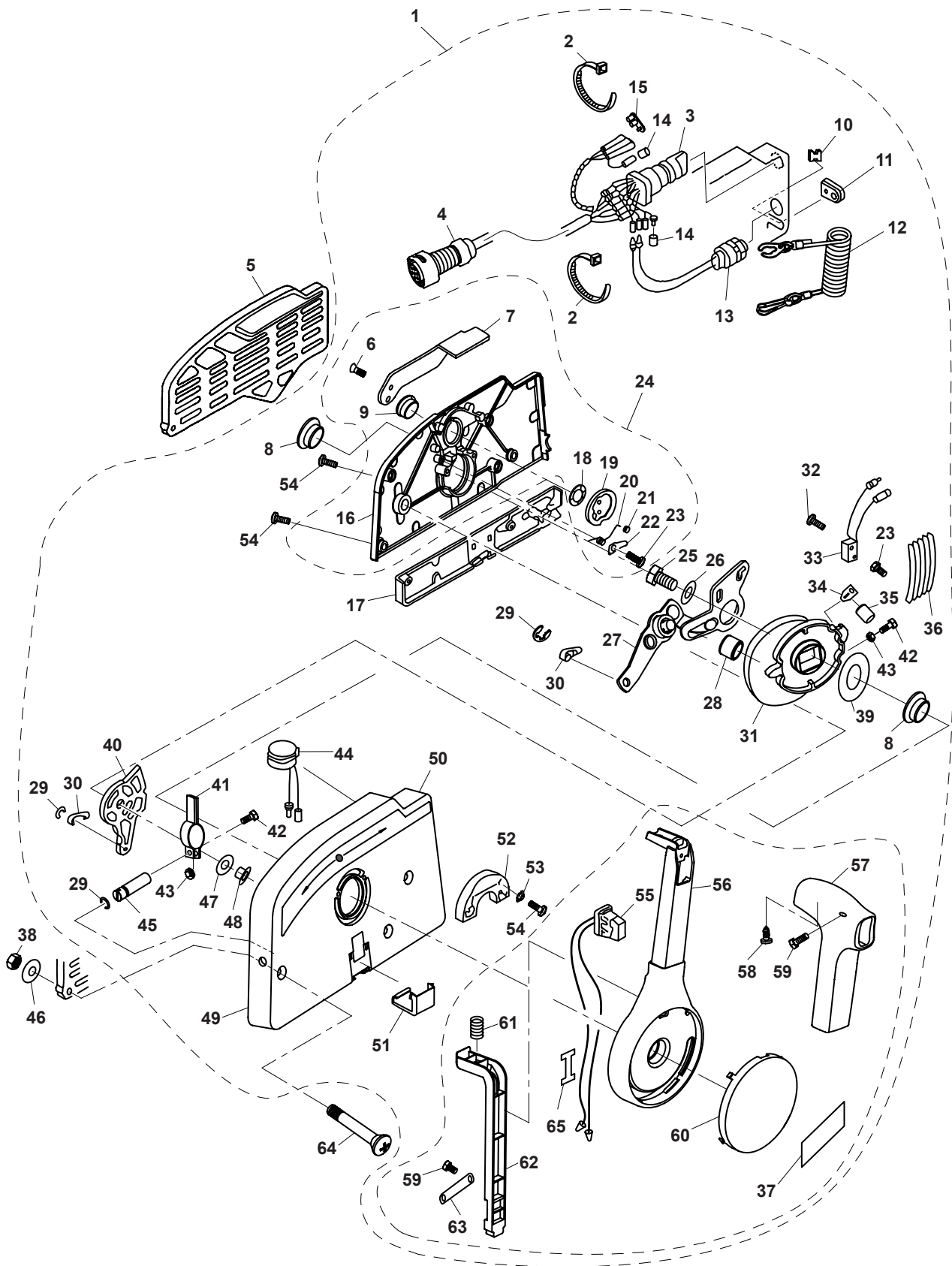
N°	Ref.	Description	Quantity
29	PAGB/T889.1-M5	NUT, LOCKING M5	1
30	PAT40-04000023	WATER INLET B	1
31	PAF25-04000031	PLUG, DRAIN	1
32	PAF60-04000001	LOWER CASING	1
33	PAT40-04000006	NUT, PINLON	1
34	PAF60-04000002	PINION	1
35	PAT40-04000022	WATER INLET A	1
36	PAGB/T820-M5x30	SCREW, PAN HEAD M5X30	1
37	PAF60-04000003	SHIFTING CAM	1
38	PAT40-04000004-1	SHIM (T:0.10 mm)	
38	PAT40-04000004-2	SHIM (T:0.12 mm)	
38	PAT40-04000004-3	SHIM (T:0.15 mm)	
38	PAT40-04000004-4	SHIM (T:0.18 mm)	
38	PAT40-04000004-5	SHIM (T:0.30 mm)	
38	PAT40-04000004-6	SHIM (T:0.40 mm)	
38	PAT40-04000004-7	SHIM (T:0.50 mm)	
39	PAKOYOH-CAP332/32	ROLLER BEARING 332/32	1
40	PAF60-04000600	FORWARD GEAR ASSY	1
41	PAF60-04020005	PLUNGER, SHIFTING	1
42	PAT36-03000403	SPACER, CLUTCH	1
43	PAF60-04020002	SPRING, CLUTCH	1
44	PAF60-04020003	CLUTCH	1

N°	Ref.	Description	Quantity
45	PAT40-04050004	PIN, CLUTCH	1
46	PAT40-04050005	ANNULAR SPRING, CLUTCH	1
47	PAF60-04020001	PROPELLER SHAFT	1
48	PAF60-04020000	PROPELLER SHAFT ASSY	1
49	PAT40-04050007	WASHER, REVERSE GEAR	1
50	PAF60-04000500	REVERSE GEAR	1
51	PAT40-04060005-L	SHIM (T: 0.10 mm)	
51	PAT40-04060005-2	SHIM (T: 0.12 mm)	
51	PAT40-04060005-3	SHIM (T: 0.15 mm)	
51	PAT40-04060005-4	SHIM (T: 0.18 mm)	
51	PAT40-04060005-5	SHIM (T: 0.30 mm)	
51	PAT40-04060005-6	SHIM (T: 0.40 mm)	
51	PAT40-04060005-7	SHIM (T: 0.50 mm)	
52	PAT40-04000025	BEARING	1
53	PAF60-04030000	COVER ASSY, LOWER CASING	1
54	PAT40-04060002	O-RING A, COVER	1
55	PAT40-04060003	O-RING B, COVER	2
56	PAT40-04060001	COVER, LOWER CASING	1
57	PAT40-04000028	BEARING	1
58	PAGB/T97.1-8	WASHER 8	2
59	PAGB/T5783-M8x25	BOLT M8x25	2
60	PAF60-04000000	LOWER CASING ASSY	1

COLA INFERIOR 2 / LOWER CASING & DRIVE 2 / PARTE INFERIORE PIEDE 2

N°	Ref.	Description	Quantity
1	PAT40-04000203	SEAL	2
2	PAF60-02000007	WATER TUBE	1
3	PAT40-02000002	GUIDE BUSHING, WATER PIPE	1
4	PAT40-04000204	NYLON BUSHING, WATER PIPE	1
5	PAT40-04000014	WATER ENVELOP	1
6	PAT40-04000013	PLATE, WATER ENVELOP	1
7	PAGB/T5782-M8x35	BOLT, HEXAGON M8X35	1
8	PAGB/T93-8	WASHER, SPRING 8	2
9	PAGB/T97.1-8	WASHER 8	3
10	PAF15-00000006	PIN, DOWEL	2
11	PAGB/T97.1-10	WASHER 10	4
12	PAF40-02000010	BOLT M10x1.25x40	4
13	PAGB/T5782-M8x65	BOLT M8x65	1
14	PAGB/T5783-M8x25	BOLT M8x25	1
15	PAT40-00000010	ANODE	1
16	PAT40-00000009	ANODE A, LOWER CASING	1
17	PAT40-04000018	SPACER, PROPELLER	1
18	PAT40-04070000	PROPELLER ASSY	1
19	PAT40-04000019	BUSH A, PROPELLER	1
20	PAT40-04000020	BUSH B, PROPELLER	1
21	PAT40-04000021	NUT	1
22	PAGB/T91-3.2x25	PIN,COTTER Ø3.2X25	1

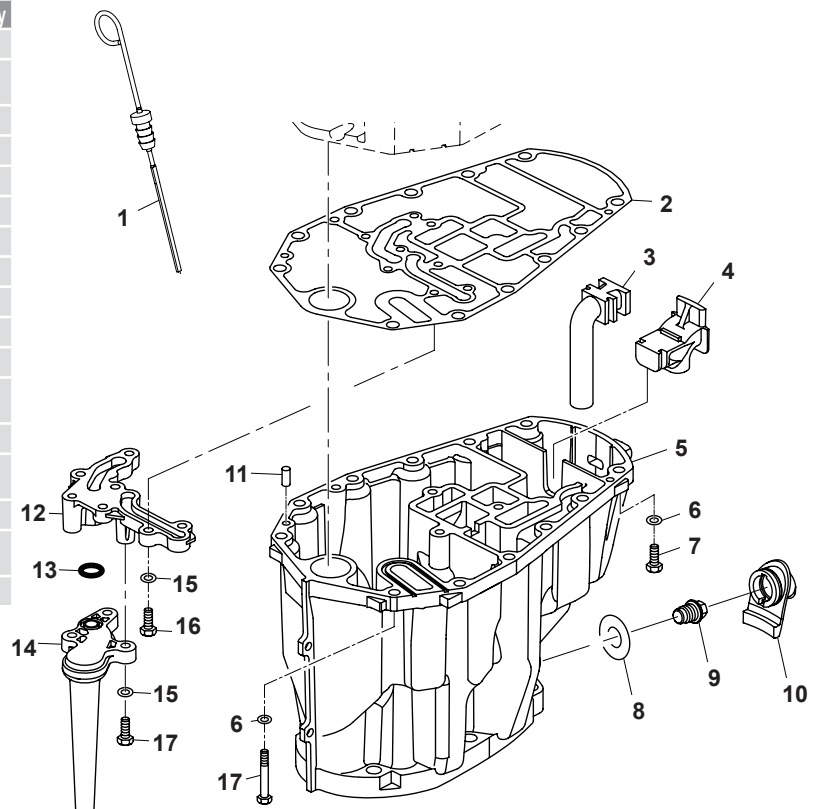




N°	Ref.	Description	Quantity	N°	Ref.	Description	Quantity
1	PAF40-13000000EI	CONTROL BOX ASSY	1	34	PAF15-13000003W	PLATE	1
2	PAHT2.5x60	CLAMP	2	35	PAF15-13000004W	PULLEY	1
3	PAF40-13000200EI	STARTING SWICH ASSY	1	36	PAF15-13000001W	SHIFT SPRING PLATE "B"	5
4	PAF40-08010100EI	CONTROL CABLE	1	37	PAF15-12000016W	MARK 16	1
5	PAF15-11000002W	PLATE, CONTROL BOX	1	38	PAGB/T6170-M6	BOLT M6	3
6	PAGB/T819.2-M5x12	SCREW PAN HEAD M5X12	2	39	PAF15-13000008W	WEARABLE PLATE, CAM MACHANISM	1
7	PAF15-13020007W	THROTTLE HANDLE, INCHING	1	40	PAF15-13000700W	SHIFT SWING LINK	1
8	PAF15-13000005W	BUSH, CAM	2	41	PAF15-13000601W	ADJUSTER FASTNESS ASSY	1
9	PAF15-13020006W	BUSH, HANDLE	1	42	PAGB/T5783-M5x25	BOLT M5X25	2
10	PAF15-11000001W	BLOCK, RUBBER	1	43	PAGB/T6170-M5	NUT M5	2
11	PAF15-13000014W	JACKET, CABLE	1	44	PAF15-13000300W	BUZZER ASSY	1
12	PAF4-01090401	STOPER, HANG ROPE ASSY	1	45	PAF15-13000602W	ADJUSTER PIN	1
13	PAF15-13000400W	ENGINE STOP SWICH ASSY	1	46	PAGB/T5287-6	WASHER, OUTSIZE 6	3
14	PAF15-13000203W	INSULATED PLUG "B"	2	47	PAF15-13000006W	WEARABLE PLATE	1
15	PAF15-13000202W	INSULATED PLUG "A"	1	48	PAF15-13000011W	BUSH, SHIFT SWING LINK	1
16	PAF15-13020001W	COVER, CONTROL BOX	1	49	PAF15-13000012W	BRACKET, CONTROL BOX	1
17	PAF15-13000013W	SMALL COVER, CONTROL BOX	1	50	PAF15-12000013W	MARK 13	1
18	PAF15-13020005W	WASHER "B", WAVE	1	51	PAF15-13000015W	COVER, WATERPROOF	1
19	PAF15-13020100W	LOCKED DISK ASSY	1	52	PAF15-13010010W	BLOCK, CONTROL HANDLE	1
20	PAF15-13020002W	TORSION SPRING	1	53	PAGB/T956.1-5	WASHER, LOCKED 5	2
21	PAF15-13020003W	EACH LOCKED PULLEY	1	54	PAGB/T819.2-M5x18	SCREW, PAN HEAD M5X18	7
22	PAF15-13020004W	PLATE, PULLEY SPRING	1	55	PAE4-10040100W	SWITCH ASSY, TILT	1
23	PAGB/T818-M4x6	BOLT	2	56	PAF15-13010001W	CONTROL HANDLE	1
24	PAF15-13020000W	COVER ASSY, CONTROL BOX	1	57	PAF15-13010002W	CONTROL HANDLEBAR	1
25	PAGB/T5783-M8x30	BOLT M8X30	1	58	PAGB/T84.5-ST4.8x12	SCREW, PAN HEAD ST4.8X12	1
26	PAGB/T97.1-8	WASHER 8	1	59	PAGB/T818-M4x10	SCREW, PAN HEAD M4X10	3
27	PAT20-13000500W	MACHINE, CONTROL ACCELEROGRAPH	1	60	PAF15-13010009W	COVER, CONTROL HANDLE	1
28	PAF15-13000007W	WASHER	1	61	PAF15-13010005W	SPRING, COMPRESSION	1
29	PAGB/T896-6	CIRCLIP 6	3	62	PAF15-13010004W	PART, ORIENTATION CONTROL	1
30	PAF25-07000007W	CONTROL CABLE TIE IN "B"	2	63	PAF15-13010008W	PLATE, ORIENTATION PART	1
31	PAF15-13000002W	CAM MECHANISM	1	64	PAGB/T820-M6x90	SCREW, PAN HEAD M6X90	3
32	PAGB/T818-M3x14	SCREW M3x14	2	65	PAE4-07020015W	CHAFING PLAATE, WIRE	1
33	PAF15-13000800W	JIGGLE SWITCH	1				

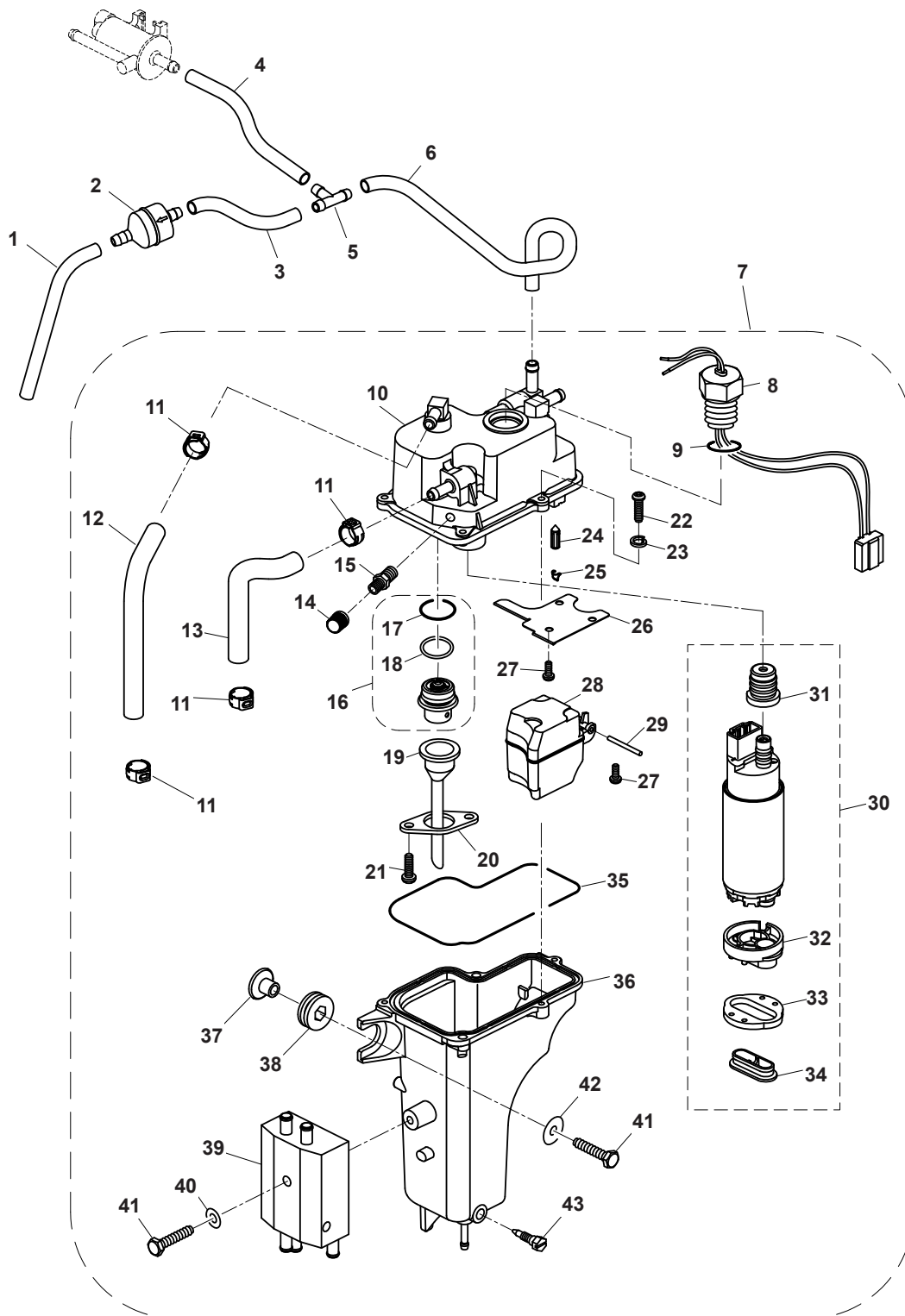
CARTER / OIL PAN / COPPA L'OLLIO

N°	Ref.	Description	Quantity
1	PAF60-05000021	OIL DIPSTICK	1
2	PAF60-02010003	GASKET, EXHAUST MANIFOLD SEAT	1
3	PAF60-02000005	GUIDE RUBBER, A	1
4	PAF60-02000006	GUIDE RUBBER, B	1
5	PAF60-02010006	OIL SUMP	1
6	PAGB/T97.1-8	WASHER 8	1
7	PAGB/T5783-M18x30	NUT M5x30	1
8	PAF15-04000003	GASKET	1
9	PAF15-04000002	BOLT, OIL DRAIN	1
10	PAF60-02000009A	JACKET, OIL DRAIN	1
11	PAF15-00000006	PIN, DOWEL	1
12	PAF60-02010004	BRACKET, COARSE STRAINER	1
13	PAJASOF40424-012	O RING 12.5x2.4	1
14	PAF60-02010005	BRACKET, COARE STRAINER	1
15	PAGB/T97.1-6	WASHER, PLAIN 6	1
16	PAGB/T5783-M6x25	HEXAGON BOLT M6x25	1
17	PAGB/T5782-M8x80	BOLT M8X80	1



PARSUN® F60 / F50

BOMBA DE ACEITE ELÉCTRICA / ELECTRIC OIL PUMP / POMPA OLIO ELLETRICA

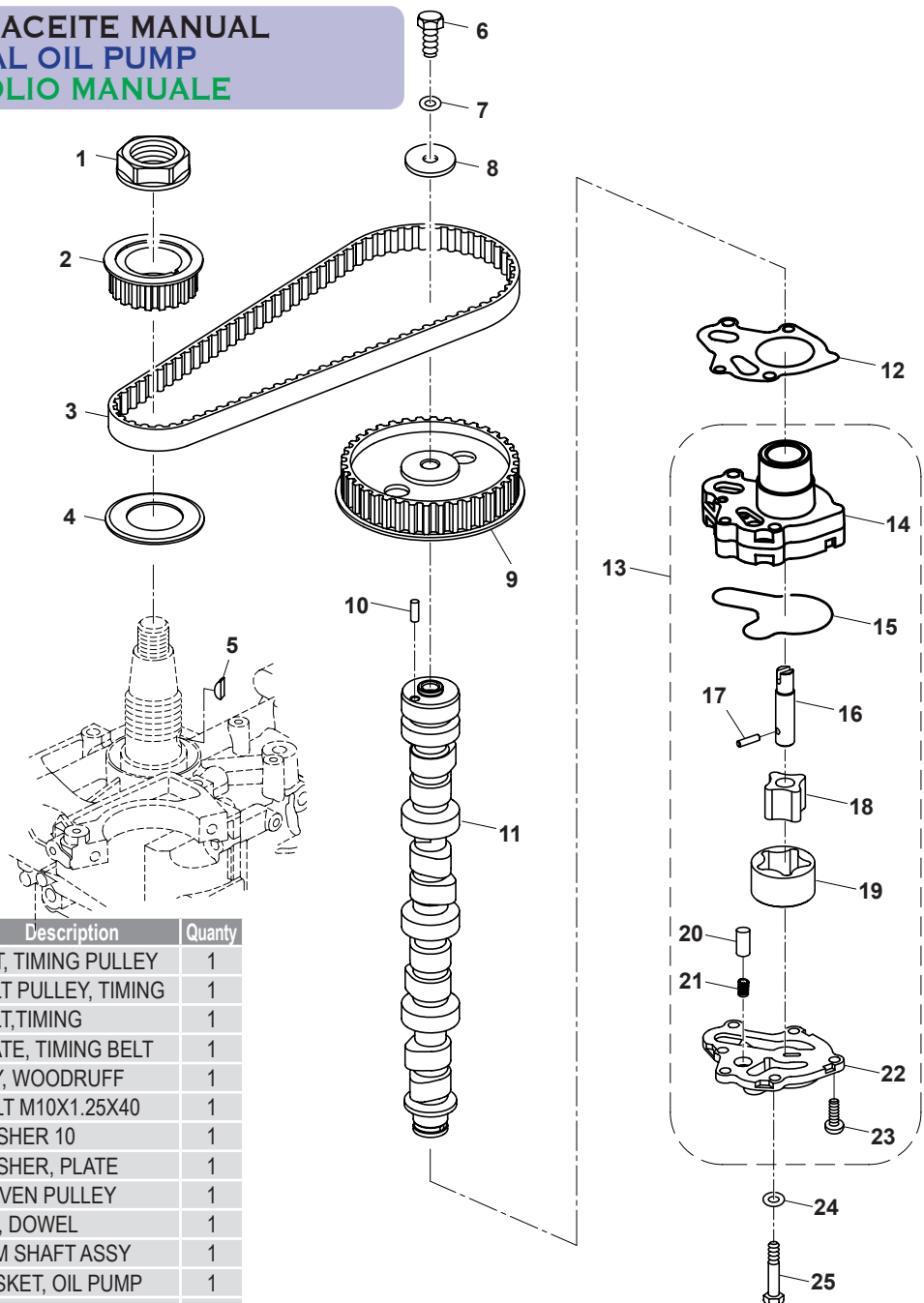


Nº	Ref.	Description	Qty	Nº	Ref.	Description	Qty
1	PAF60-05000025	AIR PIPE C 5x10x260	1	11	PAS7133-13.3	SINGLE LUG CLAMP	4
2	PAT5-04000200	CHECK VALVE	1	12	PAF40-05100010EI	SHAPED TUBE A, FUEL PUMP	1
3	PAF60-05000019	AIR PIPE C 5x10x60(EPA)	1	13	PAF40-05100004EI	SHAPED TUBE B, FUEL PUMP	1
4	PAF60-05000016	AIR PIPE B 5x10x270	1	14	PAF40-05100202EI	CAP, DETECTION VALVE	1
5	PAF60-05000054	PLASTIC THREE WAY 6.5	1	15	PAF40-05100201EI	DETECTION VALVE, FUEL PUMP	1
6	PAF60-05000053	FUEL PIPE	1	16	PAF40-05100600EI	PRESSURE REGULATOR VALVE	1
7	PAF40-05100000EI	ELECTRIC FUEL PUMP ASSY	1	17	PAF40-05100601EI	O-RING, PRESSURE REGULATOR VALVE	1
8	PAF40-05010400EI	JOINT ASSY, FUEL PUMP	1	18	PAF40-05100600-1EI	WASHER, PRESSURE REGULATOR VALVE	2
9	PAGB/T3452.1-15.8x3.1	O-RING 15.8x3.1	1				
10	PAF40-05100100EI	BODY ASSY, FUEL PUMP	1				

Nº	Ref.	Description	Quantity
19	PAF40-05100602EI	CONDUIT TUBE	1
20	PAF40-05100603EI	PALTE, PRESSURE REGULATOR VALVE	1
21	PAGB/T818-M15x12	SCREW M5x12	2
22	PAGB/T818-M4x16	SCREW M4x16	5
23	PAGB/T93-4	WASHER, SPRING	5
24	PAF40-05100301EI	NEEDLE VALVE	1
25	PAF40-05100302EI	CLAMP SPRING, NEEDLE VALVE	1
26	PAF40-05100003EI	BAFFLE PLATE	1
27	PAGB/T818-M4x8	BOLT	4
28	PAF40-05100001EI	FLOAT	1
29	PAF40-05100002EI	PIN, FLOAT	1
30	PAF40-05100500EI	FUEL PUMP ASSY	1

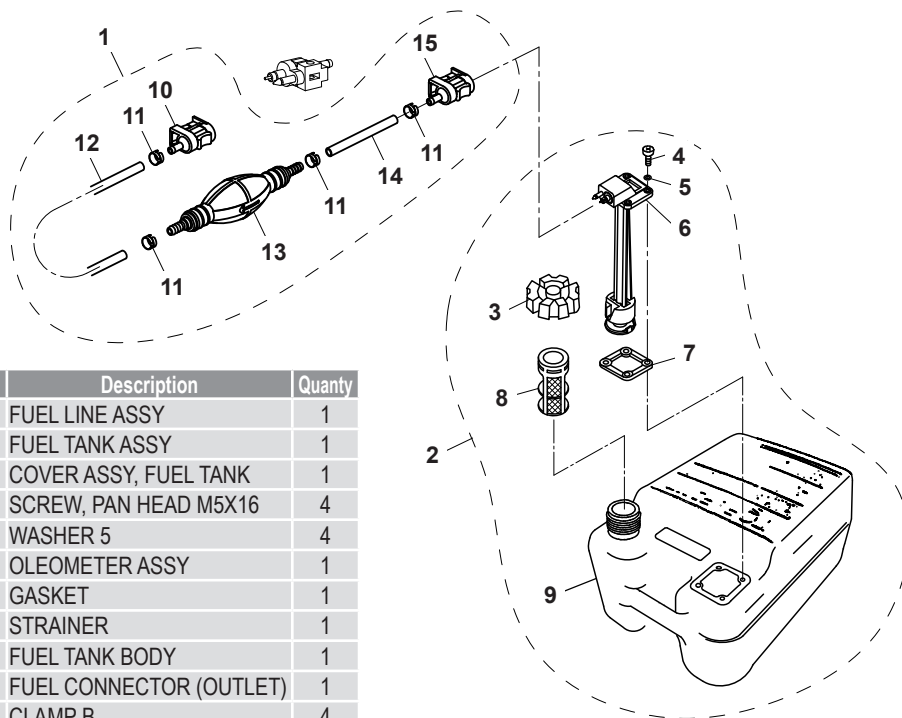
Nº	Ref.	Description	Quantity
31	PAF40-05100501EI	RUBBER SLEEVE, FUEL PUMP	1
32	PAF40-05100504EI	PADDING BLOCK, FUEL PUMP	1
33	PAF40-05100503EI	RUBBER PAD, FUEL PUMP	1
34	PAF40-05100502EI	FILTER NET, FUEL PUMP	1
35	PAF40-05100704EI	SEAL, FUEL CAP	1
36	PAF40-05100701EI	FUEL CAP, ELECTRIC PUMP	1
37	PAF25-05090005	BUSH, IGNITION	3
38	PAF25-05090004	BUSH, DAMPING	3
39	PAF40-05100800EI	COOLER, FUEL	1
40	PAGB/T97.1-6	WASHER, PLAIN 6	1
41	PAGB/T5783-M6x25	HEXAGON BOLT M6x25	4
42	PAGB/T96-6	LARGE WASHER 6	3
43	PAF40-05100703EI	DRAIN BOLT, FUEL CUP	1

BOMBA DE ACEITE MANUAL MANUAL OIL PUMP POMPA OLIO MANUALE



Nº	Ref.	Description	Quantity
1	PAF40-05000007	NUT, TIMING PULLEY	1
2	PAF25-05000021	BELT PULLEY, TIMING	1
3	PAF25-05000023	BELT, TIMING	1
4	PAF40-05000008	PLATE, TIMING BELT	1
5	PAF4-04000019	KEY, WOODRUFF	1
6	PAGB/T5785-M10x1.25x40	BOLT M10X1.25X40	1
7	PAGB/T97.1-10	WASHER 10	1
8	PAF25-05050018	WASHER, PLATE	1
9	PAF40-05040006	DRIVEN PULLEY	1
10	PAF25-05050016	PIN, DOWEL	1
11	PAF60-05020200	CAM SHAFT ASSY	1
12	PAF40-05040407	GASKET, OIL PUMP	1
13	PAF40-05040400	OIL PUMP ASSY	1
24	PAGB/T97.1-6	WASHER, PLAIN 6	4
25	PAGB/T5782-M6x40	BOLT M6X40	4

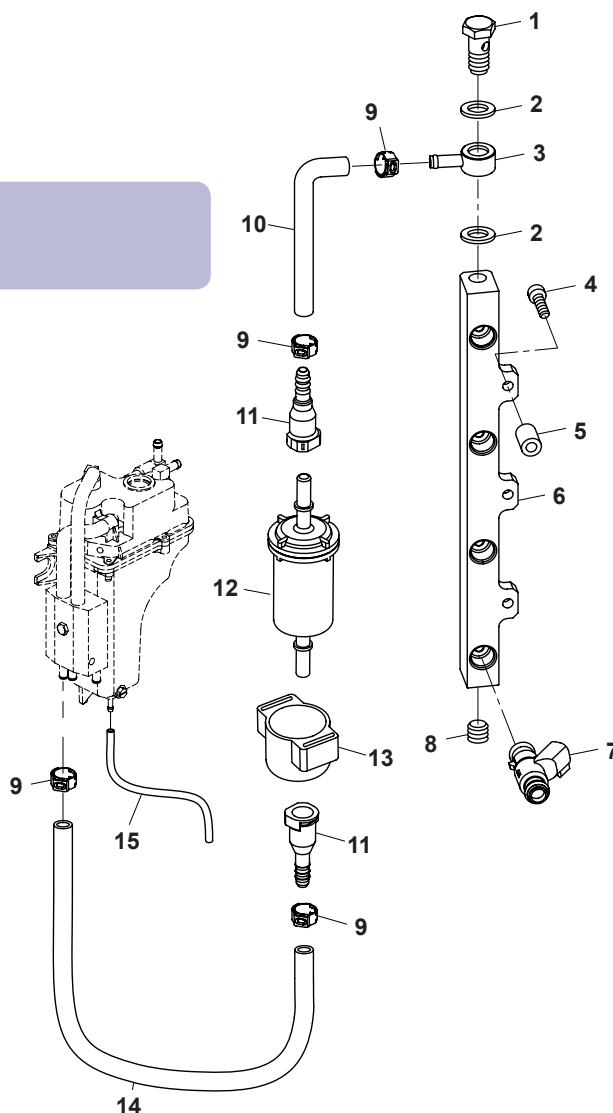
DEPÓSITO EXTERNO / OUTER FUEL TANK / SERBATOIO ESTERNO



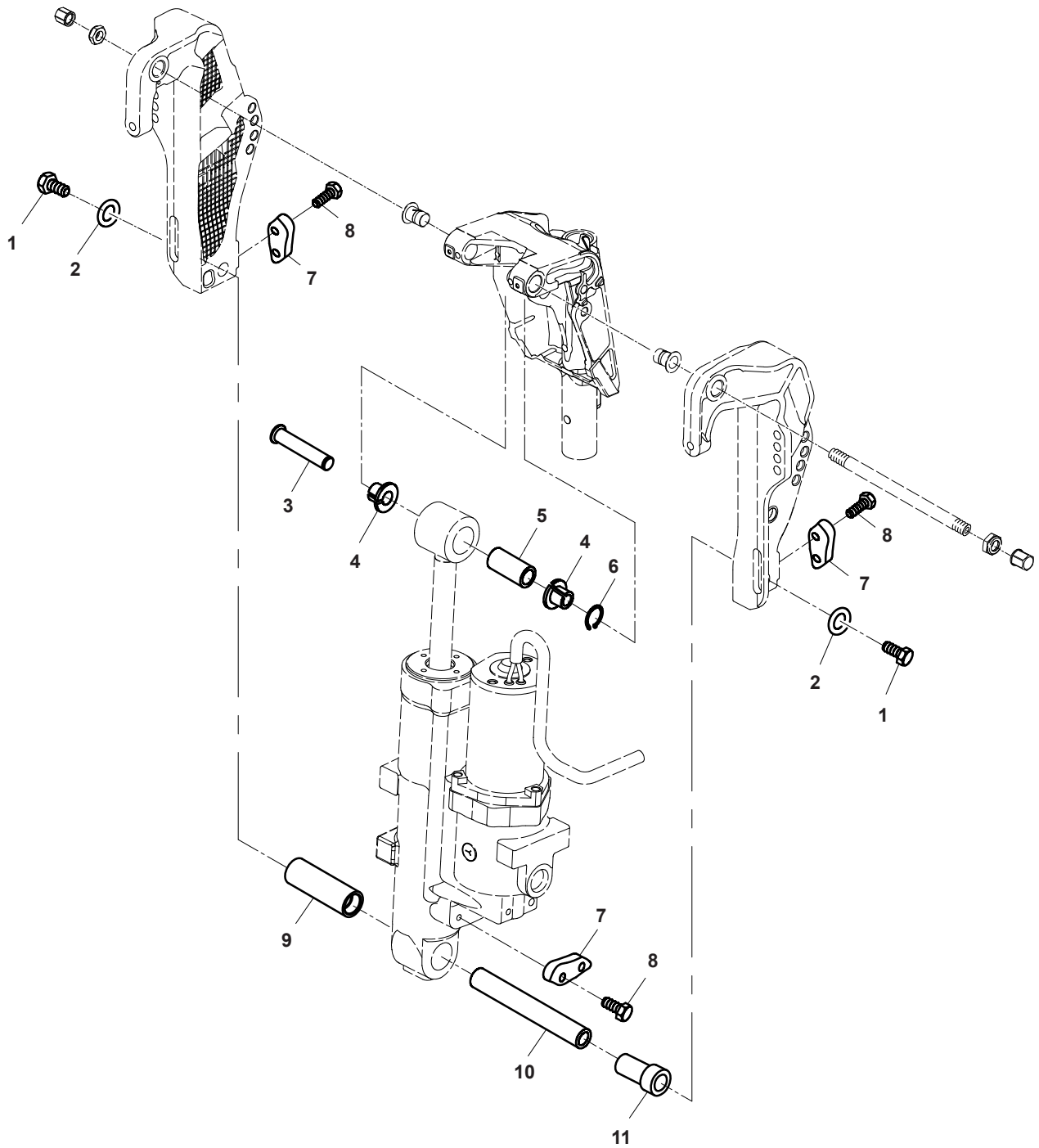
Nº	Ref.	Description	Quantity
1	PAF15-09000000	FUEL LINE ASSY	1
2	PAF15-10000000	FUEL TANK ASSY	1
3	PAF15-10010000	COVER ASSY, FUEL TANK	1
4	PAGB/T818-M5X16	SCREW, PAN HEAD M5X16	4
5	PAGB/T97.1-5	WASHER 5	4
6	PAF15-10020000	OLEOMETER ASSY	1
7	PAF15-10000003	GASKET	1
8	PAF15-10000002	STRAINER	1
9	PAF8-10000001	FUEL TANK BODY	1
10	PAF15-09020000	FUEL CONNECTOR (OUTLET)	1
11	PAF15-09000003	CLAMP B	4
12	PAF15-09000001	FUEL PIPE A 10x6x2080	1
13	PAF15-09030000	PRIMP BULB ASSY	1
14	PAF15-09000002	FUEL PIPE B 10x6x850	1
15	PAF15-09010000	FUEL CONNECTOR (INLET)	1

CIRCUITO COMBUSTIBLE FUEL COMMON RAIL CIRCUITO DI CARBURANTE

Nº	Ref.	Description	Quantity
1	PAF40-05000046EI	BOLT, ADAPTER	1
2	PAGB/T982-12	COMPOUND SEAL WASHER 12	2
3	PAF40-05000045EI	ADAPTER, COMMON RAIL	1
4	PAGB/T70.1-M6x35	INNER HEXAGON BOLT M6x35	3
5	PAF40-05000044EI	BUSHING, COMMON RAIL	3
6	PAF60-05000024	COMMON RAIL, FUEL	1
7	PAF40-05090300EI	FUEL INJECTOR	4
8	PAF15-07010004	BLOCK, CYLINDER 1/8"	1
9	PA7133-13.3	CLAMP 13.3	4
10	PAF40-05000021EI	FUEL PIPE B	1
11	PAF40-05000040EI	JOINT A, FUEL FILTER	2
12	PAF40-05091100EI	FUEL FILTER	1
13	PAF25-07150301W	RELAY JACKET	1
14	PAF60-05000008	FULE PIPE C 6x12.5x780(EPA)	1
15	PAF40-05100511EI	DRAIN PIPE, FUEL PUMP	1



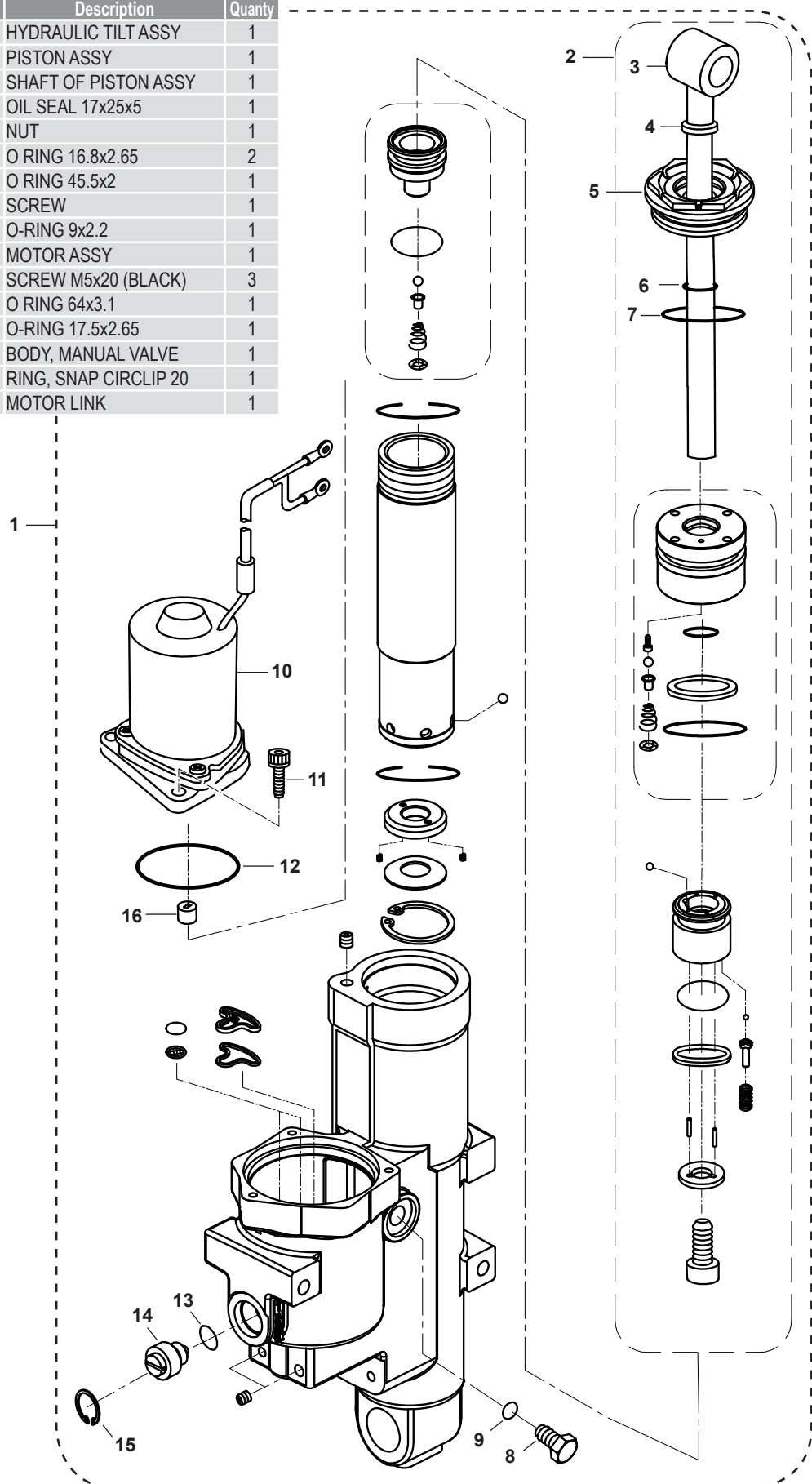
TILT HIDRÁULICO 1 / HYDRAULIC TILT 1 / TILT IDRAULICO 1



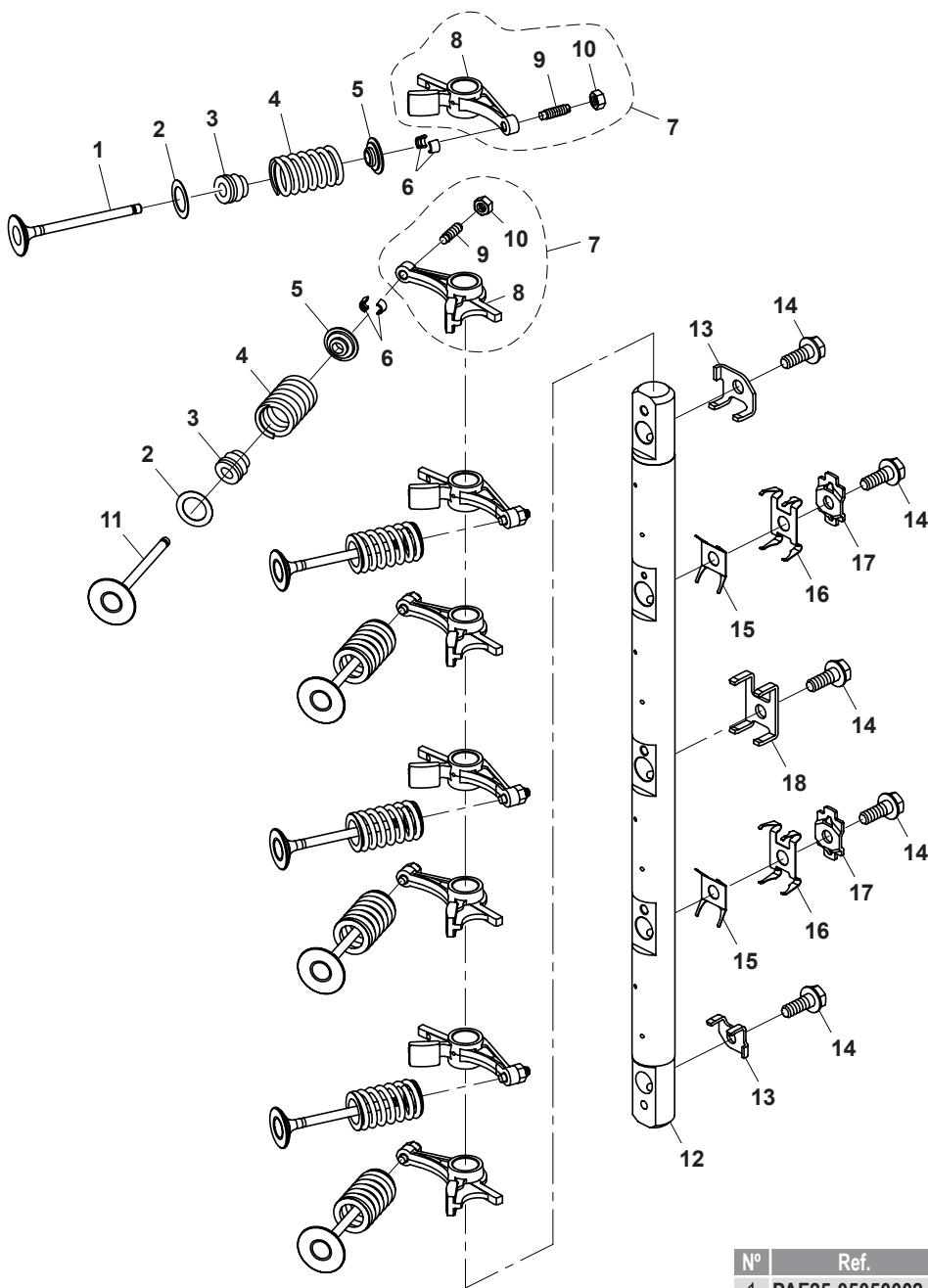
Nº	Ref.	Description	Quantity
1	PAGB/T5785-M10x1.25x30	BOLT M10x1.25x30	2
2	PAF60-00000015	WASHER 10	2
3	PAT85-00000016	PIN UPPER SHOCK MOUNT	1
4	PAT85-00000017	BUSH A	2
5	PAT85-01010007	BUSH	1
6	PAGB/T894.1-18	CIRCLIP 18	1
7	PAE10-01010008	ANODE	3
8	PAGB/T5783-M6x25	HEXAGON BOLT M6x25	6
9	PAF60-00000012	BUSH A	1
10	PAF60-00000011	PIN	1
11	PAF60-00000013	BUSH B	1

TILT HIDRÁULICA 2 / HYDRAULIC TILT 2 / TILT IDRAULICO 2

Nº	Ref.	Description	Quantity
1	PAF60-06000000	HYDRAULIC TILT ASSY	1
2	PAF60-06010000	PISTON ASSY	1
3	PAF60-06010100	SHAFT OF PISTON ASSY	1
4	PAF60-06010003	OIL SEAL 17x25x5	1
5	PAF60-06010002	NUT	1
6	PAGB/T3452.1-16.8x2.65	O RING 16.8x2.65	2
7	PAJISFG46	O RING 45.5x2	1
8	PAT85-06010009	SCREW	1
9	PAGB/T3452.1-9x2.2	O-RING 9x2.2	1
10	PAF60-06030000	MOTOR ASSY	1
11	PAGB/T70.1-M5x20	SCREW M5x20 (BLACK)	3
12	PAJASOF40431-065	O RING 64x3.1	1
13	PAT85-06020015	O-RING 17.5x2.65	1
14	PA60-06000005	BODY, MANUAL VALVE	1
15	PAGB/T893.1-20	RING, SNAP CIRCLIP 20	1
16	PAF60-06000010	MOTOR LINK	1



VÁLVULA / VALVE / VALVOLA



Nº	Ref.	Description	Quantity
1	PAF25-05050002	VALVE, EXHAUST	4
2	PAF25-05050003	SEAL, VALVE SPRING	8
3	PAPS2700.04.03	SEAL, VALVE STEM	8
4	PAF25-05050005	SPRING, VALVE	8
5	PAF15-07040006	RETAINER, VALVE SPRING	8
6	PAF15-07040007	COTTER, VALVE	16
7	PAF25-05050300	ROCKET ASSY	8
8	PAF25-05050301	ROCKET	8
9	PAF15-07040303	SCREW, VALVE ADJUSTING	8
10	PAF15-07040304	NUT	8
11	PAF25-05050001	VALVE, INTAKE	4
12	PAF60-05020001	ROCKER SHAFT	1
13	PAF25-05050009	PLATE A, BOLT STOPPER	2
14	PAF25-05050019	BOLT	5
15	PAF40-05040002	SUPPORTING PLATE, SPRING PLATE	2
16	PAF25-05050011	SPRING	2
17	PAF25-05050012	PLATE B, BOLT STOPPER	2
18	PAF40-05040003	FIXED PLATE B, ROCKER SHAFT	1

WWW.RECAMBIOSMARINOS.ES

BARCELONA

Jocelyn Bell, 26
Pol. Ca n'Alemany
08840 Viladecans (Barcelona)
Tel. 902 10 85 85 - 93 633 34 80
Fax 93 662 66 59

International
phone: (+34) 93 662 66 55
Fax (+34) 93 662 66 59

info@recambiosmarinos.es
www.recambiosmarinos.es

GIRONA

C/ Gironés, 5
Pol. Ind. El Plà
17486 Castelló d'Empúries (Girona)
Tel. 972 158 809
Fax 972 250 886

girona@recambiosmarinos.es

CANARIAS

Avda. Los Majuelos, 14
38108 La Laguna (Tenerife)
Tel. (+34) 922 621 499
Móvil 628 592 042

canarias@recambiosmarinos.es

ITALIA

RECMAR SRL
Via Israele 10 H
Zona Industriale Settore 7
07026 Olbia (OT)

Tel. (+39) 0789 51962
Fax (+39) 0789 600177
sales@recmar.it

4 Tiempos
Stroke
Tempi



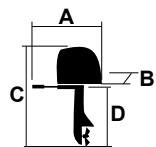
FUERABORDAS COMPACTOS | COMPACT OUTBOARDS | FUORIBORDO COMPATTO

2020

PARSON[®]
OUTBOARDS

RECMAR[®]
ELECTRIC OUTBOARDS

60HP 50HP



	F60FEL-T-EFI	F50FEL-T-EFI
A (mm)	713 (28")	
B (mm)	427 (16.8")	
C (mm)	1.435 (56.5")	
D (mm)	508 (20")	
Peso (kg) Weight (kg) Peso (kg)	113 kg	
Régimen de trabajo a pleno gas Full throttle operating range Regime di lavoro a tutto gas	5.000 – 6.000 rpm	
Potencia máxima Maximum output Potenza massima	44.1 Kw 60 Hp 5500rpm	36.8 Kw 50 Hp 5500rpm
Ralentí (neutral) Idling speed (neutral) Minimo (neutral)	750 - 850 rpm	
Tipo motor Engine type Tipo motore	SOHC (8 valves)	
Cilindros Cylinders Cilindri	L4	
Cilindrada Displacement Cilindrata	996 cm ³	
Diámetro por carrera Bore per stroke Diámetro corsa	65.0 mm x 75.0 mm (2.56" x 2.95")	
Sistema de encendido Ignition system Sistema di accensione	CDI	
Sistema de suministro de combustible Fuel delivery system Sistema di consegna del carburante	EFI	
Alternador Alternator Alternatore	12V 25A	
Sistema de control Control system Sistema di controllo	Remoto Remote A distanza	
Sistema de arranque Starting system Sistema di avviamento	Eléctrico Electric Elettrico	
Cambio de marchas Gear positions Cambio di marcia	Avante - Neutro - Atrás Forward - Neutral - Reverse Avanti - Neutro - Retromarcia	
Relación engranajes Gear ratio Relazione ingranaggio	1.85 (24/13)	
Sistema inclinación y elevación Trim & tilt system Sistema inclinazione e altezza regolabili	Eléctrico. Trim Electric. Trim Elettrico. Trim	
Depósito combustible Fuel tank capacity Serbatoio combustibile	24L	
Consumo máximo Maximum fuel waste Consumo massimo	20 L/h	
Capacidad aceite motor Engine oil capacity Capacità olio	2.5 L	
Capacidad aceite caja engranajes Gear oil capacity Capacità olio, scatola ingranaggi	430 cm ³	
Hélice STD STD Propeller Elica STD	3-11 ^{1/2} x 13"	

Diseño y calidad es el resultado en los modelos de gama media 50 hp y 60 hp.

La gestión electrónica Delphi junto a un bloque de motor SOCH 4 cilindros de 996 cm³ garantizan una fiabilidad total.

El sistema de inyección electrónica de combustible (EFI) regula el consumo en todo momento, ofreciendo potencia y aceleración cuando sea necesario y bajo cualquier circunstancia.

Máxima tranquilidad y diversión, aseguradas de serie.

Design and quality is the result in the 50 hp and 60 hp mid-range models.

The Delphi electronic management together with a 4-cylinder SOCH engine block of 996 cm³ guarantee total reliability.

The electronic fuel injection system (EFI) regulates consumption at all times, offering power and acceleration when necessary and under any circumstance.

Maximum tranquility and fun, guaranteed as standard.

Design e qualità sono il risultato dei modelli mid-range da 50 CV e 60 CV.

La gestione elettronica Delphi insieme a un blocco motore SOCH a 4 cilindri di 996 cm³ garantisce un'affidabilità totale.

Il sistema di iniezione elettronica (EFI) regola il consumo in ogni momento, offrendo potenza e accelerazione quando necessario e in qualsiasi circostanza.

Massima tranquillità e divertimento, garantiti come standard.



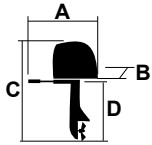
60HP 50HP

GAMA media



PARSUN[®]
OUTBOARDS

40HP 40PRO 4 stroke 30HP



	F40FWL-T	Solo Italia Only Italy F40FWL-T-PRO	F30FWL-T
A (mm)	768 (30.2")	713 (28")	768 (30.2")
B (mm)	410 (16.1")	427 (16.8")	410 (16.1")
C (mm)	1.361 (53.6")	1.435 (56.5")	1.361 (53.6")
D (mm)		508 (20")	
Peso (kg) Weight (kg) Peso (kg)	96.6 kg	113 kg	96.6 kg
Régimen de trabajo a pleno gas Full throttle operating range Regime di lavoro a tutto gas	5.000 – 6.000 rpm		
Potencia máxima Maximum output Potenza massima	29.4 Kw 40 Hp 5.500 rpm	29.4 Kw 40 Hp 5500rpm	22.05 Kw 30 Hp 5500rpm
Ralentí (neutral) Idling speed (neutral) Mínimo (neutral)	900 - 1000 rpm	750 - 850 rpm	900 - 1000 rpm
Tipo motor Engine type Tipo motore	OHC	SOHC (8 valves)	OHC
Cilindros Cylinders Cilindrí	L3	L4	L3
Cilindrada Displacement Cilindrata	747 cm ³	996 cm ³	747 cm ³
Diámetro por carrera Bore per stroke Diámetro corsa	65 x 75 mm (2.56" x 2.95")		
Sistema de encendido Ignition system Sistema di accensione	CDI		
Alternador Alternator Alternatore	12V 25A		
Sistema de control Control system Sistema di controllo	Remoto Remote A distanza		
Sistema de arranque Starting system Sistema di avviamento	Eléctrico Electric Elettrico		
Cambio de marchas Gear positions Cambio di marcia	Avante - Neutro - Atrás Forward - Neutral - Reverse Avanti - Neutro - Retromarcia		
Relación engranajes Gear ratio Relazione ingranaggio	2.08 (26/13)	1.85 (24/13)	2.08 (26/13)
Sistema inclinación y elevación Trim & tilt system Sistema inclinazione e altezza regolabili	Eléctrico Electric Elettrico		
Depósito combustible Fuel tank capacity Serbatoio combustibile	24L		
Consumo máximo Maximum fuel waste Consumo massimo	13.8 L/h	18.5 L/h	13.8 L/h
Capacidad aceite motor Engine oil capacity Capacità olio	1.7 L	2.5L	1.7 L
Capacidad aceite caja engranajes Gear oil capacity Capacità olio, scatola ingranaggi	430 cm ³		
Hélice STD STD Propeller Elicá STD	3-11 ^{1/2} x 13"		



40HP 30HP

GAMA media

Motor potente y ligero para cualquier tipo de embarcación.

Protegido electrónicamente, incorpora leds de control que permiten verificar los parámetros de motor en todo momento.

La inyección electrónica de combustible multipunto, regula a través de un ECM la mezcla combustible-aire, ofreciendo un ahorro de combustible durante la navegación.

La gestión electrónica Delphi integrada, garantiza un motor potente y fiable, de fácil arranque en frío y gran respuesta de aceleración.

Powerful and lightweight motor for any type of boat. Electronically protected, it incorporates control leds that allow to verify the motor parameters at all times.

The electronic multi-point fuel injection regulates the fuel-air mixture through an ECM, offering fuel savings during navigation.

The integrated Delphi electronic management guarantees a powerful and reliable engine, easy to start in cold weather and great acceleration response.

Motore potente e leggero per qualsiasi tipo di imbarcazione.

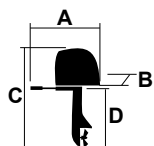
Protetto elettronicamente, incorpora led di controllo che consentono di verificare i parametri del motore in ogni momento.

L'iniezione elettronica multi-punto regola la miscela aria-carburante attraverso un ECM, offrendo risparmio di carburante durante la navigazione.

La gestione elettronica integrata Delphi garantisce un motore potente e affidabile, facile da avviare a basse temperature e una grande risposta in accelerazione.



PARSUN[®]
OUTBOARDS



	F25BML	F25BMS	F25BWL	F25BWS	F25FWS	F25FWL-T
A (mm)	1.151 (45.3")				703 (27.7")	
B (mm)	430 (16.9")				376 (14.8")	
C (mm)	1.280 (50.4")	1.153 (45.4")	1.280 (50.4")	1.153 (45.4")	1.153 (45.4")	1.280 (50.4")
D (mm)	508 (20")	381 (15")	508 (20")	381 (15")	381 (15")	508 (20")
Peso (kg) Weight (kg) Peso (kg)	68	66	70	68	68	74
Régimen de trabajo a pleno gas Full throttle operating range Regime di lavoro a tutto gas	5.000 - 6.000 rpm					
Potencia máxima Maximum output Potenza massima	18.4 Kw 25 Hp 5.000 rpm					
Ralentí (neutral) Idling speed (neutral) Minimo (neutral)	925 - 1.025 rpm					
Tipo motor Engine type Tipo motore	SOHC					
Cilindros Cylinders Cilindri	L2					
Cilindrada Displacement Cilindrata	498 cm ³					
Diámetro por carrera Bore per stroke Diámetro corsa	65 x 75 mm (2.56" x 2.95")					
Sistema de encendido Ignition system Sistema di accensione	CDI					
Alternador Alternator Alternatore	12V 6A					
Sistema de control Control system Sistema di controllo	Manual popero Tiller control Comando a guida			Remoto Remote A distanza		
Sistema de arranque Starting system Sistema di avviamento	Manual Manuale			Eléctrico Electric Elettrico		
Cambio de marchas Gear positions Cambio di marcia	Avante - Neutro - Atrás Forward - Neutral - Reverse Avanti - Neutro - Retromarcia					
Relación engranajes Gear ratio Relazione ingranaggio	2.08 (27/13)					
Sistema inclinación y elevación Trim & tilt system Sistema inclinazione e altezza regolabili	Manual Manuale			Eléctrico Electric Elettrico		
Depósito combustible Fuel tank capacity Serbatoio combustibile	24 L					
Consumo máximo Maximum fuel waste Consumo massimo	9.2 L/h					
Capacidad aceite motor Engine oil capacity Capacità olio	1.7 L					
Capacidad aceite caja engranajes Gear oil capacity Capacità olio, scatola ingranaggi	320 cm ³					
Hélice STD STD Propeller Elica STD	3-9 ^{7/8} x 11 ^{1/4} "					

Motor fabricado en aluminio marino de alto grado certificado, disponible en varios modelos de arranque y mando.

Fácil arranque gracias al sistema de ignición CDI, reducidas emisiones de gases y silencioso gracias a la salida de gases a través del cubo de la hélice.

Incorpora toma de agua dulce de fácil acceso para el desalado del motor después de cada salida, alargando así la vida interna del motor.

Incorpora Power-Trim (modelo F25FWL-T) para las embarcaciones que lo requieran.

Engine made of certified high-grade marine aluminum, available in several manual start and remote control models.

Easy start thanks to the CDI ignition system, reduced emissions of gas and silent thanks to the gas exhauster through the hube of the propeller.

Incorporates an easy-to-access fresh water intake to desalinate the engine after each navigation, thus extending the internal life of the engine.

Incorporates Power-Trim (model F25FWL-T) for the boats requiring it.

Motore realizzato in alluminio marino di alta qualità certificato, disponibile in diversi modelli di avviamento e controllo.

Facile avviamento grazie al sistema di accensione CDI, riduzione delle emissioni di gas e silenziosità grazie all'uscita dei gas attraverso il mozzo dell'elica.

Incorpora una presa d'acqua dolce di facile accesso per la desalinizzazione del motore dopo ogni uscita, prolungando così la vita interna del motore.

Incorpora Power-Trim (modello F25FWL-T) per le barche che lo richiedono.

ULTIME UNITÀ

LAST UNITS

25HP

GAMA ligera

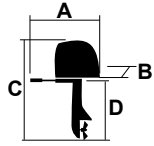


LAST UNITS
HASTA FIN
de **STOCK**
ÚLTIMA UNITÀ

PARSUN[®]
OUTBOARDS

20HP

15HP



	F20ABML F20EBML-EFI	F20EBMS-EFI	F20EBWL-EFI	F20EBWS-EFI	F20EFWL-EFI	F20EFWS-EFI	F15ABML F15ABML-EFI	F15ABMS F15ABMS-EFI	F15ABWL F15ABWL-EFI	F15ABWS F15ABWS-EFI	F15AFWL F15AFWL-EFI	F15AFWS F15AFWS-EFI
A (mm)	988 (38.9")						665 (26.2")					
B (mm)	420 (16.5")						430 (16.9")					
C (mm)	1.197 (47.1")	1.070 (42.1")	1.197 (47.1")	1.070 (42.1")	1.197 (47.1")	1.070 (42.1")	1.197 (47.1")	1.070 (42.1")	1.197 (47.1")	1.070 (42.1")	1.197 (47.1")	1.070 (42.1")
D (mm)	508 (20.0")	381 (15")	508 (20.0")	381 (15")	508 (20.0")	381 (15")	508 (20.0")	381 (15")	508 (20.0")	381 (15")	508 (20.0")	381 (15")
Peso (kg) Weight (kg) Peso (kg)	53.7	51.7	55.7	53.7	54.7	52.7	53.7	51.7	55.7	53.7	54.7	52.7
Régimen de trabajo a pleno gas Full throttle operating range Regime di lavoro a tutto gas	5.000 - 6.000 rpm						5.000 - 6.000 rpm					
Potencia máxima Maximum output Potenza massima	14,7 Kw (20 Hp) 5.500 rpm						11 Kw (15 Hp) 5.500 rpm					
Ralentí (neutral) Idling speed (neutral) Minimo (neutral)	1.000 - 1.100 rpm						1.000 - 1.100 rpm					
Tipo motor Engine type Tipo motore	SOHC						SOHC					
Cilindros Cylinders Cilindri	L2						L2					
Cilindrada Displacement Cilindrata	362 cm ³						362 cm ³					
Diámetro por carrera Bore per stroke Diámetro corsa	63.0 x 58.1 mm (2.48" x 2.29")						63.0 x 58.1 mm (2.48" x 2.29")					
Sistema de encendido Ignition system Sistema di accensione	CDI						CDI					
Alternador Alternator Alternatore	12V 6A						12V 6A					
Sistema de control Control system Sistema di controllo	Manual popero Tiller control Comando a guida				Remoto Remote A distanza		Manual popero Tiller control Comando a guida				Remoto Remote A distanza	
Sistema de arranque Starting system Sistema di avviamento	Manual Manuale	Eléctrico Electric Elettrico				Eléctrico Electric Elettrico	Manual Manuale	Eléctrico Electric Elettrico				
Cambio de marchas Gear positions Cambio di marcia	Avante - Neutro - Atrás Forward - Neutral - Reverse Avanti - Neutro - Retromarcia						Avante - Neutro - Atrás Forward - Neutral - Reverse Avanti - Neutro - Retromarcia					
Relación engranajes Gear ratio Relazione ingranaggio	2.08 (27/13) EFI 1.85 (24/13)						2.08 (27/13) EFI 1.85 (24/13)					
Sistema inclinación y elevación Trim & tilt system Sistema inclinazione e altezza regolabili	Manual Manuale						Manual Manuale					
Depósito combustible Fuel tank capacity Serbatoio combustibile	24 L						24 L					
Consumo máximo Maximum fuel waste Consumo massimo	6.9 L/h						5.4 L/h					
Capacidad aceite motor Engine oil capacity Capacità olio	1.6 L						1.6 L					
Capacidad aceite caja engranajes Gear oil capacity Capacità olio, scatola ingranaggi	250 cm ³						250 cm ³					
Hélice STD STD Propeller Elica STD	3-9 ^{1/4} " x 11"						3-9 ^{1/4} " x 11"					

NEW EFI MODELS

The series A of Parsun is summarized in compact, light and high performance engines, manufactured to live in water, available in injection and carburation.

The low emissions and minimum noise levels are guaranteed in these series, with the CDI ignition system and automatic starter an optimal starting is guaranteed.

They incorporate fuel pump cooled by water (component usually applied to engines of higher power), tiller control made of reinforced aluminum and large built-in gear lever, are some of the features that position these models among the models best sellers every season.

NUOVI MODELLI EFI

La serie A di Parsun è sintetizzata in motori compatti, leggeri e performanti, realizzati per vivere in acqua, disponibili in iniezione e carburazione.

Le basse emissioni e il livello minimo di rumore sono garantiti in questa serie, con il sistema di accensione CDI e l'avviamento automatico è garantito un avviamento ottimale.

Hanno una pompa del carburante raffreddata dall'acqua (componente solitamente applicato ai motori di maggiore potenza), il controllo popper in alluminio rinforzato e la grande leva del cambio incorporata, sono alcuni degli extra di serie che posizionano questi modelli tra i modelli più venduti in ogni stagione.

20HP 15HP

GAMA ligera



NUEVOS MODELOS EFI

La serie A de Parsun se resume en motores compactos, ligeros y de altas prestaciones, fabricados para vivir en el agua, disponibles en inyección y carburación.

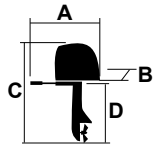
Las bajas emisiones y niveles de ruido mínimos están garantizados en esta serie, con el sistema de ignición CDI y starter automático se garantiza un óptimo arranque.

Disponen de una bomba de combustible refrigerada por agua (componente generalmente aplicado a motores de mayor potencia), mando popero fabricado en aluminio reforzado y palanca de cambio incorporada de gran tamaño, son algunos de los extras de serie que posicionan a estos modelos entre los modelos más vendidos cada temporada.

PARSUN[®]
OUTBOARDS

9.8HP

8HP



	F9.8BML	F9.8BMS	F8BML	F8BMS
A (mm)	965 (38")		965 (38")	
B (mm)	364 (14.3")		364 (14.3")	
C (mm)	1.166 (45.9")	1.039 (40.9")	1.166 (45.9")	1.039 (40.9")
D (mm)	508 (20.0")	381 (15")	508 (20.0")	381 (15")
Peso (kg) Weight (kg) Peso (kg)	39.5	38	39.5	38
Régimen de trabajo a pleno gas Full throttle operating range Regime di lavoro a tutto gas	5.000 - 6.000 rpm		5.000 - 6.000 rpm	
Potencia máxima Maximum output Potenza massima	7.2 Kw (9.8 Hp)		5.9 Kw (8 Hp)	
Ralentí (neutral) Idling speed (neutral) Minimo (neutral)	900 - 1.000 rpm		900 - 1.000 rpm	
Tipo motor Engine type Tipo motore	SOHC		SOHC	
Cilindros Cylinders Cilindri	L2		L2	
Cilindrada Displacement Cilindrata	209 cm ³		209 cm ³	
Diámetro por carrera Bore per stroke Diámetro corsa	55 x 44 mm (2.17" x 1.73")		55 x 44 mm (2.17" x 1.73")	
Sistema de encendido Ignition system Sistema di accensione	CDI		CDI	
Alternador Alternator Alternatore	12V 6A		12V 6A	
Sistema de control Control system Sistema di controllo	Manual popero Tiller control Comando a guida		Manual popero Tiller control Comando a guida	
Sistema de arranque Starting system Sistema di avviamento	Manual Manual Manuale		Manual Manual Manuale	
Cambio de marchas Gear positions Cambio di marcia	Avante - Neutro - Atrás Forward - Neutral - Reverse Avanti-Neutro-Retromarcia		Avante - Neutro - Atrás Forward - Neutral - Reverse Avanti-Neutro-Retromarcia	
Relación engranajes Gear ratio Relazione ingranaggio	2.08 (27/13)		2.08 (27/13)	
Sistema inclinación y elevación Trim & tilt system Sistema inclinazione e altezza regolabili	Manual Manual Manuale		Manual Manual Manuale	
Depósito combustible Fuel tank capacity Serbatoio combustibile	12 L		12 L	
Consumo máximo Maximum fuel waste Consumo massimo	3.4 L/h		2.8 L/h	
Capacidad aceite motor Engine oil capacity Capacità olio	0.8 L		0.8 L	
Capacidad aceite caja engranajes Gear oil capacity Capacità olio, scatola ingranaggi	320 cm ³		320 cm ³	
Hélice STD STD Propeller Elicá STD	3-8.9" x 8.3"		3-8.9" x 8.3"	



9.8HP 8HP

GAMA ligera



Motor bicilíndrico compacto de gran cilindrada, la potencia y fiabilidad están presentes en estos modelos de configuración SOHC.

Manejables y silenciosos son alguna de sus ventajas, hélice fabricada en aluminio reforzado para mejorar el desplazamiento.

Incorpora de serie regulador de voltaje y salida para carga de baterías 12v.

Compact twin-cylinder engine with large displacement, power and reliability are present in these SOHC configuration models.

Manageable and silent are some of its advantages, as well the propeller made of reinforced aluminum to improve the displacement.

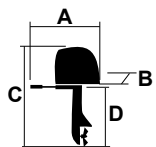
Incorporates standard voltage and output regulator for charging 12v batteries charging.

Compatto motore bicilindrico con grande cilindrata, potenza e affidabilità sono presenti in questi modelli di configurazione SOHC.

Pratico e silenzioso sono alcuni dei suoi vantaggi, elica in alluminio rinforzata per migliorare il movimento.

Incorpora un regolatore di tensione e uscita standard per la ricarica delle batterie 12v.

PARSUN[®]
OUTBOARDS



6HP

5HP

4HP

2.6HP

	F6ABML	F6ABMS	F5BML	F5BMS	F4BML	F4BMS	F2.6BML	F2.6BMS
A (mm)	717 (28.2")		717 (28.2")		717 (28.2")		645 (25.4")	
B (mm)	390 (15.4")		361 (14.2")		361 (14.2")		343 (13.5")	
C (mm)	1.177 (46.3")	1.050 (41.3")	1.156 (45.5")	1.029 (40.5")	1.156 (45.5")	1.029 (40.5")	1.140 (44.9")	1.013 (39.9")
D (mm)	508 (20.0")		508 (20.0")		508 (20.0")		508 (20.0")	
Peso (kg) Weight (kg) Peso (kg)	28	27	25.5	24.5	25.5	24.5	18	17
Régimen de trabajo a pleno gas Full throttle operating range Regime di lavoro a tutto gas	4.500 - 5.500 rpm		4.500 - 5.500 rpm		4.500 - 5.500 rpm		5.250 - 5.750 rpm	
Potencia máxima Maximum output Potenza massima	4.4 Kw (6 Hp) 5.000 rpm		3.6 Kw (5 Hp) 5.000 rpm		2.9 Kw (4 Hp) 4.500 rpm		1.9 Kw (2.6 Hp) 5.500 rpm	
Ralentí (neutral) Idling speed (neutral) Minimo (neutral)	1.450 - 1.550 rpm		1.450 - 1.550 rpm		1.450 - 1.550 rpm		1.550 - 1.650 rpm	
Tipo motor Engine type Tipo motore	OHV		OHV		OHV		OHV	
Cilindros Cylinders Cilindr	1		1		1		1	
Cilindrada Displacement Cilindrata	148 cm ³		112 cm ³		112 cm ³		72 cm ³	
Diámetro por carrera Bore per stroke Diámetro corsa	64 x 46 mm (2.52" x 1.8")		59 x 41 mm (2.32" x 1.61")		59 x 41 mm (2.32" x 1.61")		54 x 31.5 mm (2.13" x 1.24")	
Sistema de encendido Ignition system Sistema di accensione	CDI		TCI		TCI		TCI	
Alternador Alternator Alternatore	12V 6A							
Sistema de control Control system Sistema di controllo	Manual popero Tiller control Comando a guida		Manual popero Tiller control Comando a guida		Manual popero Tiller control Comando a guida		Manual popero Tiller control Comando a guida	
Sistema de arranque Starting system Sistema di avviamento	Manual Manual Manuale		Manual Manual Manuale		Manual Manual Manuale		Manual Manual Manuale	
Cambio de marchas Gear positions Cambio di marcia	Avante - Neutro - Atrás Forward - Neutral - Reverse Avanti-Neutro-Retromarcia		Avante - Neutro - Atrás Forward - Neutral - Reverse Avanti-Neutro-Retromarcia		Avante - Neutro - Atrás Forward - Neutral - Reverse Avanti-Neutro-Retromarcia		Avante - Neutro Forward - Neutral Avanti - Neutro	
Relación engranajes Gear ratio Relazione ingranaggio	2.15 (28/13)		2.15 (28/13)		2.15 (28/13)		2.25 (27/12)	
Sistema inclinación y elevación Tilt & tilt system Sistema inclinazione e altezza regolabili	Manual Manual Manuale		Manual Manual Manuale		Manual Manual Manuale		Manual Manual Manuale	
Depósito combustible Fuel tank capacity Serbatoio combustibile	Integrado 1.3 L Integral 1.3 L Integrato 1.3 L		Integrado 1.3 L Integral 1.3 L Integrato 1.3 L		Integrado 1.3 L Integral 1.3 L Integrato 1.3 L		Integrado 1.2 L Integral 1.2 L Integrato 1.2 L	
Consumo máximo Maximum fuel waste Consumo massimo	2.3 L/h		2 L/h		1.6 L/h		1.1 L/h	
Capacidad aceite motor Engine oil capacity Capacità olio	0.8 L		0.5 L		0.5 L		0.35 L	
Capacidad aceite caja engranajes Gear oil capacity Capacità olio, scatola ingranaggi	195 cm ³		100 cm ³		100 cm ³		75 cm ³	
Hélice STD STD Propeller Elicca STD	3-7 ^{1/8"} x 9"		3-7 ^{1/2"} x 7"		3-7 ^{1/2"} x 7"		3-7 ^{1/2"} x 6"	



6HP 5HP 4HP 2.6HP

GAMA ligera



Amplia gama de motores monocilíndricos portátiles de magnífica relación peso-potencia.

Depósito de combustible integrado en toda la gama, los modelos F4, F5 y F6 cuentan con un conector de serie para acoplar un depósito exterior de mayor capacidad.

Asa de gran tamaño para facilitar su transporte, fabricados en aluminio reforzado anticorrosivo.

Wide range of portable single-cylinder engines with excellent weight-power ratio.

Integrated fuel tank throughout the range, the F4, F5 and F6 models have a standard connector to use an external tank of bigger capacity.

Large transport handle for easy transport, made of reinforced anticorrosive aluminum.

Amplia gamma di motori monocilindrici portatili con un eccellente rapporto peso-potenza.

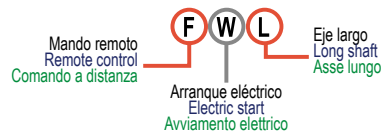
Serbatoio del carburante integrato su tutta la gamma, i modelli F4, F5 e F6 hanno un connettore standard per collegare un serbatoio esterno di maggiore capacità.

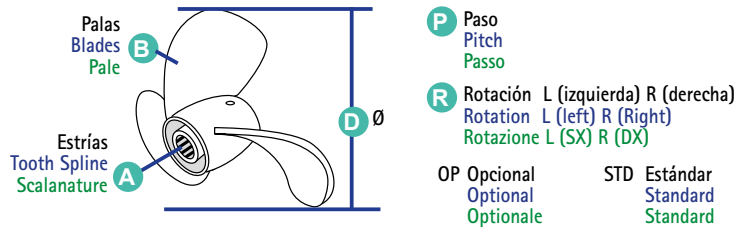
Ampia maniglia di trasporto per un facile trasporto, realizzata in alluminio anticorrosivo rinforzato.

PARSUN[®]
OUTBOARDS

ACCESORIOS INCLUIDOS | INCLUDED ACCESSORIES | ACCESSORI COMPRESI

	60 HP 50 HP	40 HP	40 PRO	30 HP	25 HP	20 HP	15 HP	9.8 HP 8 HP	6 HP	5 HP 4 HP 2.6 HP			
	F60FEL-T-EFI F50FEL-T-EFI	F40FWL-T	F40FWL-T-PRO	F30FWL-T	F25BML F25BMS F25BWL F25BWS	F25FWS F25FWL-T	F20ABML F20ABML-EFI F20ABMS F20ABMS-EFI F20EBWL-EFI F20EBWS-EFI	F20EFWL-EFI F20EFWS-EFI	F15ABML F15ABML-EFI F15ABMS F15ABMS-EFI F15ABWL F15ABWL-EFI F15ABWS F15ABWS-EFI	F15AFWL F15AFWL-EFI F15AFWS F15AFWS-EFI	F9.8BML F9.8BMS F8BML F8BMS	F6ABML F6ABMS	F5BML F5BMS F4BML F4BMS F2.6BML F2.6BMS
MANUAL DE USO OWNER MANUAL MANUALE ISTALLAZIONE	1	1	1	1	1	1	1	1	1	1	1	1	1
HOMBRE AL AGUA STOPER, HANG ROPE ASSY STACCO AUT. D'EMERGENCIA	1	1	1	1	1	1	1	1	1	1	1	1	1
TIRADOR CUERDA ARRANQUE EMERGENCY HANDLE-START ROPE AVVIAMENTO MANUALE	1	1	1	1	1	1	1	1	1	1	1	1	1
DESTORNILLADOR SCREWDRIVE CACCIAVITE	1	1	1	1	1	1	1	1	1	1	1	1	1
BUJIAS SPARK PLUG CANDELE	4	3	4	3	2	2	2	2	2				
EXTRATOR BUJIAS SPARK PLUG SLEEVE ESTRAITTORE CANDELE	1	1	1	1	1	1	1	1	1	1	1	1	1
PASADOR HELICE PIN, COTTER SPINA, ELICA	1	1	1	1	1	1	1	1	1	1	1	1	1
FILTRO DE ACEITE OIL CLEANER FILTRO DELL'OLIO	1	1	1	1	1	1	1	1	1				
LINEA COMBUSTIBLE FUEL LINE ASSY TUBO CARBURANTE	1	1	1	1	1	1	1	1	1	1			
DEPOSITO COMBUSTIBLE FUEL TANK ASSY SERBATOIO CARBURANTE	1	1	1	1	1	1	1	1	1	1			
CAJA DE MANDOS CONTROL BOX ASSY SCATOLA COMANDO	1	1	1	1		1		1		1			
CABLES DE MANDO 14" CONTROL CABLE ASSY 14" CAVO COMANDO 14"	2	2	2	2		2		2		2			
BARRA DIRECCIÓN LINK ROD, TURNING BARRA DI DIREZIONE	1	1	1	1		1		1		1			
TACOMETRO TACHOMETER TACHIMETRO	1	1	1	1									
RELOJ TRIM TRIM GAUGE OROLOGGIO TRIM	1		1										





	Ø	P	REF	DESC.
2.6 HP	7	5	PAF2.6-03010000	STD
	7 ^{1/4}	6	SOL3011-073-05S	OP
4 HP	7 ^{1/4}	6	SOL3011-073-05S	OP
	7 ^{1/2}	7	PAF4-03070000	STD
6 HP	7.8	6	PAF6-03010000	STD
	7.8	7	SOL5011-078-07	OP
	7.8	8	SOL5011-018-08	OP
	7.8	9	SOL5011-078-09	OP
8 HP	8.5	7	SOL5011-085-07	OP
	8.5	8	SOL5011-085-08	OP
9.8 HP	8.9	8.3	PAF8-04050000	STD
	8.5	9	SOL5011-085-09	OP
15 HP	9 ^{1/4}	7	SOL3111-093-07	OP
	9 ^{1/4}	8	SOL3111-093-08	OP
	9 ^{1/4}	9	SOL3111-093-09	OP
	9 ^{1/4}	10	SOL3111-093-10	OP
20 HP	9 ^{1/4}	11	PAF15-06090000	STD
	9 ^{1/4}	12	SOL3111-093-12	OP
25 HP	9 ^{7/8}	9	SOL3211-099-09	OP
	9 ^{7/8}	10 ^{1/2}	SOL3211-099-10	OP
	9 ^{7/8}	11 ^{1/4}	PAF25-04080000	STD
	9 ^{7/8}	12	SOL3211-099-12	OP
30 HP	9 ^{7/8}	13	SOL3211-099-13	OP
	11 ^{5/8}	11	SOL3331-119-11	OP
	11 ^{3/8}	12	SOL3331-114-12	OP
40 HP	11 ^{1/8}	13	PAT40-04070000	STD
	11 ^{1/8}	14	SOL3331-111-14	OP
50 HP	11 ^{3/4}	12	SOL3311-114-12	OP
	11 ^{1/2}	13	PAT40-04070000	STD
	11 ^{1/4}	14	SOL3311-111-14	OP

PAF4060APP



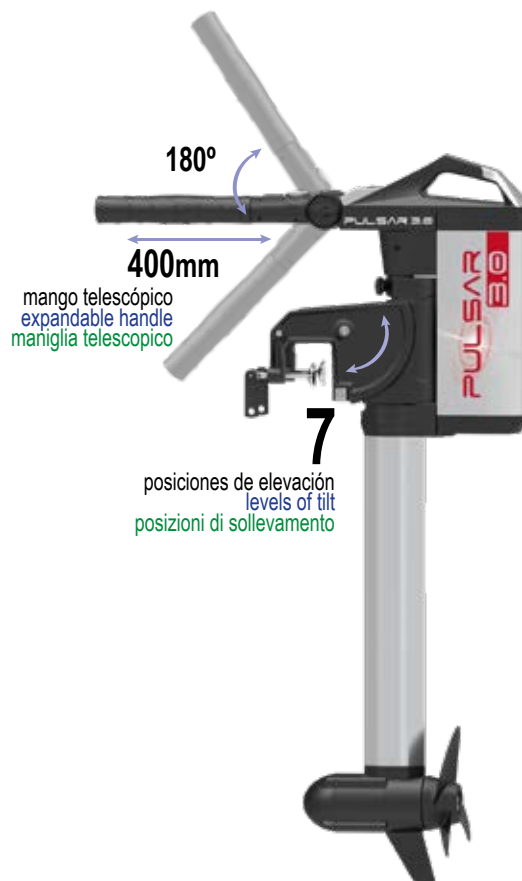
Diagnosis para sistemas Delphi, motores F30, F40, F50 y F60.
Se puede utilizar con la mayoría de smartphones. Descarga la aplicación Parsun desde Play Store o App Store.

Diagnosis for Delphi systems, F30, F40, F50 and F60 engines.
Can be used with most smartphones. Download the Parsun app from the Play Store or App Store.

Diagnosi per sistemi Delphi, motori F30, F40, F50 e F60.
Può essere utilizzato con la maggior parte degli smartphone. Scarica l'app Parsun dal Play Store o dall'App Store.

3HP

	HE50741-70	HE50741-70L
Peso (kg) Weight (kg) Peso (kg)	14.8 kg	
Potencia de empuje Power of thrust Potenza di spinta	55 lbs 25 kg	
Máximo voltaje Max voltage Tensione massima	DC 29.6V	
Potencia máxima Power max Potenza massima	1030W 3 HP	
Amperaje máximo Max Amp Massimo amperaggio	35A	
Régimen de trabajo a pleno gas Full throttle operating range Regime di lavoro a tutto gas	1.530 rpm	
Tipo hélice - 3 palas Prop type - 3 blades Tipo elica - 3 pale	Ø 9.3" Ø 23,62 cm	
Batería Battery type Batteria	29.6V 20,3AH LIPO	
Duración batería a pleno gas Full battery life Durata della batteria completa	00:40 h	
Dirección Steering Sterzo	360°	
Decibelios Decibel Decibel	55 db	
Eje Aluminio Shaft type, Aluminium Asse Alluminio	62,5 cm	75 cm
Longitud máxima de embarcación Max boat length Larghezza massima del barco	7 m	
Marchas Gear Marcia	Avante - Atrás Forward - Reverse Avanti - Retromarcia	



180°
400mm
mango telescópico
expandable handle
maniglia telescopica

7
posiciones de elevación
levels of tilt
posizioni di sollevamento



HE24000392



HE24001273



HE59919

Motor eléctrico sin escobillas de 29.6V. Tiene una excelente propulsión para un amplio rango de embarcaciones. Este poderoso motor tiene un control de velocidad variable en ambos sentidos.

Perfecto para todo tipo de agua. La batería recargable se instala fácilmente y se pueden adquirir individualmente. Incluye batería, cargador y desconector magnético.

29.6V brushless electric motor. It has an excellent propulsion for a wide range of boats. This powerful motor has variable speed control in both directions.

Perfect for all types of water. The rechargeable battery is easily installed and can be purchased individually. Includes battery, charger and magnetic disconnect.

Motore elettrico brushless da 29,6 V. Ha un'eccellente propulsione per una vasta gamma di imbarcazioni. Questo potente motore ha un controllo della velocità variabile in entrambe le direzioni.

Perfetto per tutti i tipi di acqua. La batteria ricaricabile si installa facilmente e può essere acquistata singolarmente. Include batteria, caricabatterie e disconnessione magnetica.

PULSAR

MOTOR eléctrico
electric ENGINE
MOTORE elettrico



5

Niveles de carga
levels of power
Livelli di carico

3.0

12v

HE50703-090

Peso (kg) Weight (kg) Peso (kg)	8.2 kg
Potencia de empuje Power of thrust Potenza di spinta	55 lbs 25 kg
Máximo voltaje Max voltage Tensione massima	DC 12V
Potencia máxima Power max Potenza massima	660W 1,5 HP
Amperaje máximo Max Amp Massimo amperaggio	55A
Ajuste de profundidad Depth adjustment Regolazione della profondità	Collar
Régimen de trabajo a pleno gas Full throttle operating range Regime di lavoro a tutto gas	1.250 rpm
Tipo hélice - 3 palas Prop type - 3 blades Tipo elica - 3 pale	Ø 9.3" Ø 23,62 cm
Batería Battery type Batteria	1x105AH
Dirección Steering Sterzo	360°
Decibelios Decibel Decibel	50db
Eje Aluminio Shaft type, Aluminium Asse Alluminio	90 cm
Longitud máxima de embarcación Max boat length Larghezza massima del barco	5.5 m
Marchas Gear Marcia	5 Avante 3 Atrás 5 Forward 3 Reverse 5 Avanti 3 Retromarcia

Motor eléctrico de 12V, ligero y práctico.

Motor sin escobillas, descartando así un desgaste de las mismas y mejorando la disipación del calor en el interior del motor. Caña telescópica para garantizar una navegación segura en aguas poco profundas, posibilidad de 10 posiciones de trimado.

No incluye batería.

12V electric motor, light and practical.

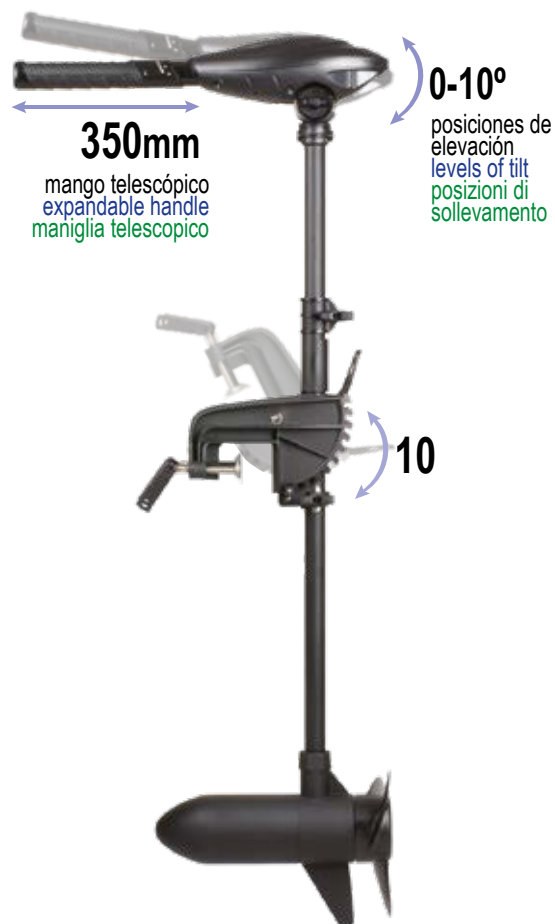
Brushless motor, thus discarding a wear of them and improving the heat dissipation inside the motor. Telescopic rod to ensure safe navigation in shallow waters, possibility of 10 trim positions.

Battery don't included.

Motore elettrico 12V, leggero e pratico.

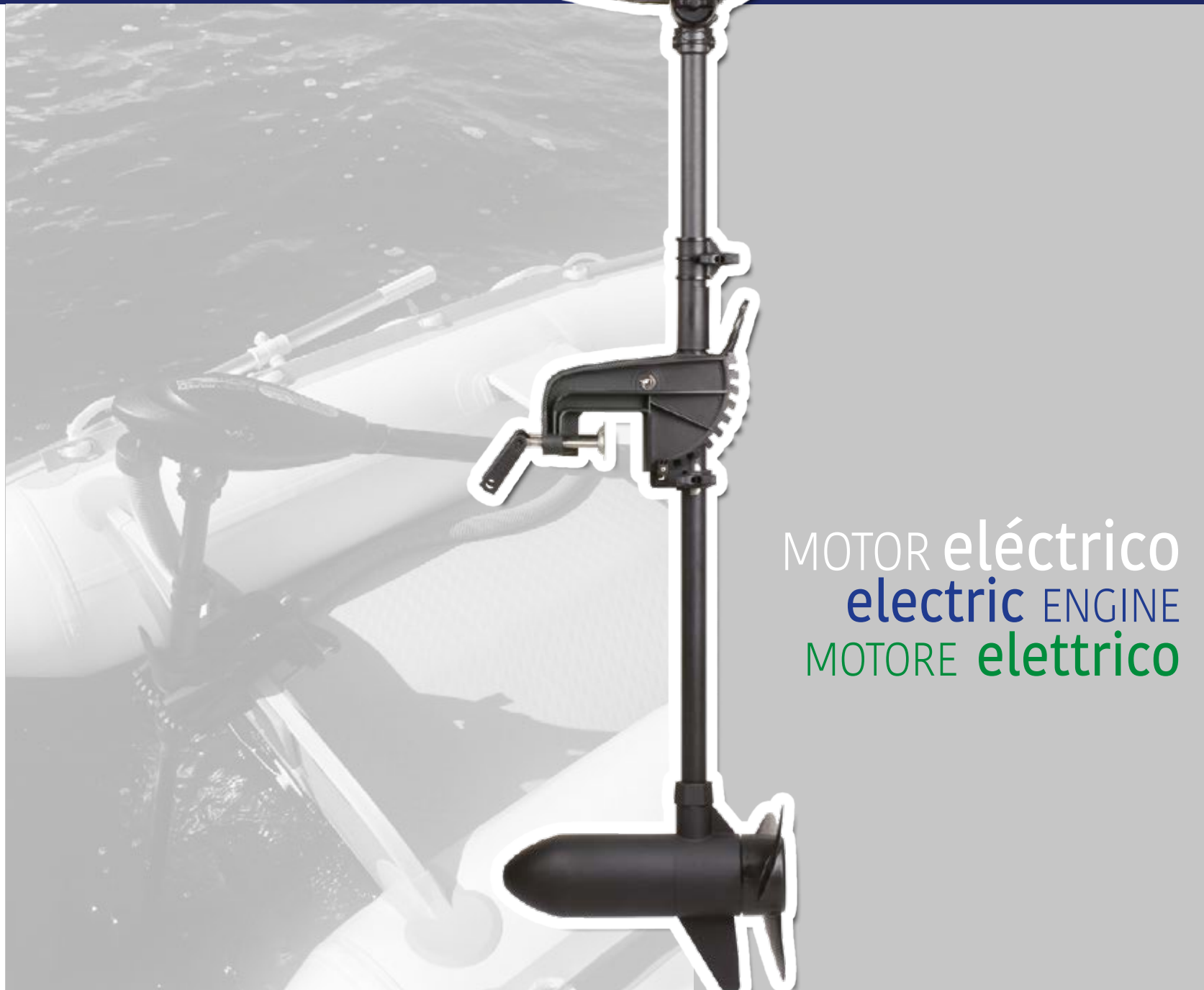
Motore senza spazzole, scartando così una loro usura e migliorando la dissipazione del calore all'interno del motore. Asta telescópica per garantire una navigazione sicura in acque poco profonde, possibilità di 10 posizioni di assetto.

La batteria non è inclusa.



5
Niveles de carga
levels of power
Livelli di carico





MOTOR eléctrico
electric ENGINE
MOTORE elettrico



Distribuidor / Distributor / Distributore

RECAMBIOS
MARINOS_{S.L.U}

Jocelyn Bell, 26
Pol. Ca n'Alemaný
08840 Viladecans (Barcelona)
Tel. 902108585 - 93 633 34 80
info@recambiosmarinos.es

RECMAR_{SRL}

Via Israele 10 H
Zona Industriale Settore 7
07026 Olbia (OT)
Tel. (+39) 0789 51962
sales@recmar.it

DESPIECE MOTORES
PARTS CATALOGUE
ESPLOSI MOTORI



PARSON[®]

REC
MAF



DESPIECE MOTORES PARTS CATALOGUE ESPLOSI MOTORI



F6A / F5A

PAG 4

BANDEJA Y TAPA MOTOR / BOTTON & TOP COWLING / BASE E COPPERCHIO CALANDRA	4
ARRANQUE / STARTER / AVVIAMENTO	5
BLOQUE / CRANKCASE / BLOCCO	5
CULATA / CYLINDER HEAD / TESTATA	6
DISTRIBUCIÓN / CAMSHAFT / DISTRIBUZIONE	6
CIGÜEÑAL Y PISTONES / CRANKSHAFT & PISTON / ALBERO MOTORE E PISTONE	7
BOMBA COMBUSTIBLE / FUEL SYSTEM / POMPA BENZINA	7
ADMISIÓN / INTAKE / ASPIRAZIONE	8
DIRECCIÓN / STEERING / STERZO	9
CARBURADOR / CARBURETOR / CARBURATORE	10
ELECTRICIDAD / ELECTRICAL / PARTE ELETTRICA	10
COLA SUPERIOR / UPPER CASING / PARTE ALTA PIEDE	11
CAMBIO / CONTROL SYSTEM / CALANDRA	11
SOPORTE MOTOR / BRACKET / SUPPORTE MOTORE	12
COLA INFERIOR / LOWER CASING / PARTE INFERIORE PIEDE	12



F20A / F15A

PAG 14

TAPA MOTOR / TOP COWLING / COPPERCHIO CALANDRA	14
ARRANQUE / STARTER / AVVIAMENTO	14
BANDEJA MOTOR / BOTTON COWLING / BASE CALANDRA	15
CAMBIO / CONTROL SYSTEM / CALANDRA	16
BLOQUE / CRANKCASE / BLOCCO	17
CULATA / CYLINDER HEAD / TESTATA	18
CIGÜEÑAL Y PISTONES / CRANKSHAFT & PISTON / ALBERO MOTORE E PISTONE	18
VÁLVULA / VALVE / VALVOLA	19
DISTRIBUCIÓN / CAMSHAFT / DISTRIBUZIONE	19
BOMBA COMBUSTIBLE / FUEL SYSTEM / POMPA BENZINA	20
ADMISIÓN / INTAKE / ASPIRAZIONE	20
CARBURADOR / CARBURETOR / CARBURATORE	21
ELECTRICIDAD / ELECTRICAL / PARTE ELETTRICA	22
DIRECCIÓN / STEERING / STERZO	24
SOPORTE MOTOR / BRACKET / SUPPORTE MOTORE	25
COLA SUPERIOR / UPPER CASING / PARTE ALTA PIEDE	26
COLA INFERIOR / LOWER CASING / PARTE INFERIORE PIEDE	28
CAJA DE MANDOS / CONTROL BOX / SCATOLA COMANDI	29



F40FWL-T

PAG 32

TAPA MOTOR / TOP COWLING / COPPERCHIO CALANDRA	32
BANDEJA MOTOR / BOTTON COWLING / BASE CALANDRA	33
ARRANQUE / STARTER / AVVIAMENTO	34
CAMBIO / CONTROL SYSTEM / CALANDRA	35
BLOQUE / CRANKACASE / BLOCCO	37
CULATA / CYLINDER HEAD / TESTATA	38
CIGÜEÑAL Y PISTONES / CRANKSHAFT & PISTON / ALBERO MOTORE E PISTONE	39
VÁLVULA / VALVE / VALVOLA	39
BOMBA COMBUSTIBLE / FUEL SYSTEM / POMPA BENZINA	40
ADMISIÓN / INTAKE / ASPIRAZIONE	41
CARBURADOR / CARBURETOR / CARBURATORE	42
ELECTRICIDAD / ELECTRICAL / PARTE ELETTRICA	44
DIRECCIÓN / STEERING / STERZO	47
SOPORTE MOTOR / BRACKET / SUPPORTE MOTORE	48
COLA SUPERIOR / UPPER CASING / PARTE ALTA PIEDE	51
COLA INFERIOR / LOWER CASING / PARTE INFERIORE PIEDE	52
CARTER / OIL PAN / COPPA LO'OLLIO	55
CAJA DE MANDOS / CONTROL BOX / SCATOLA COMANDI	56
BOMBA DE ACEITE / OIL PUMP / POMPA OLIO	58
DEPÓSITO EXTEIOR / OUTER FUEL TANK / SERBATOIO ESTERNO	58
BOMBA ACEITE ELÉCTRICA / ELECTRIC OIL PUMP / POMPA OLIO ELETTRICA	59
POWER TRIM & TILT	60
CIRCUITO COMBUSTIBLE / FUEL COMMON RAIL / COMBUSTIBILE	61



F50FWL-T / F60FWL-T

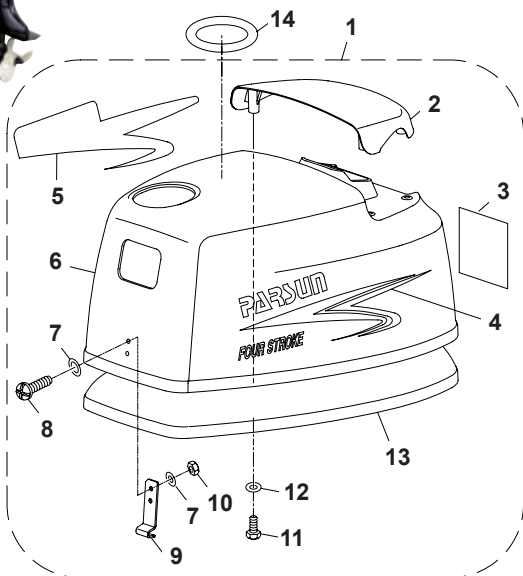
PAG 63

TAPA MOTOR / TOP COWLING / COPPERCHIO CALANDRA	63
VARILLA ENLACE / LINK ROD / ASTICELLA DI UNIONE	63
BANDEJA MOTOR / BOTTON COWLING / BASE CALANDRA	64
COLA SUPERIOR / UPPER CASING / PARTE ALTA PIEDE	65
CAMBIO / CONTROL SYSTEM / CALANDRA	66
BLOQUE / CRANKACASE / BLOCCO	67
CULATA / CYLINDER HEAD / TESTATA	68
CIGÜEÑAL Y PISTONES / CRANKSHAFT & PISTON / ALBERO MOTORE E PISTONE	68
BOMBA COMBUSTIBLE / FUEL SYSTEM / POMPA BENZINA	69
SOPORTE MOTOR / BRACKET / SUPPORTE MOTORE	70
ADMISIÓN / INTAKE / ASPIRAZIONE	71
ELECTRICIDAD / ELECTRICAL / PARTE ELETTRICA	72
COLA INFERIOR / LOWER CASING / PARTE INFERIORE PIEDE	74
CAJA DE MANDOS / CONTROL BOX / SCATOLA COMANDI	76
CARTER / OIL PAN / COPPA LO'OLLIO	77
BOMBA ACEITE ELÉCTRICA / ELECTRIC OIL PUMP / POMPA OLIO ELETTRICA	78
BOMBA DE ACEITE / OIL PUMP / POMPA OLIO	79
DEPÓSITO EXTEIOR / OUTER FUEL TANK / SERBATOIO ESTERNO	80
CIRCUITO COMBUSTIBLE / FUEL COMMON RAIL / COMBUSTIBILE	80
TILT HIDRÁULICO / HYDRAULIC TILT / TILT IDRAULICO	81
VÁLVULA / VALVE / VALVOLA	83



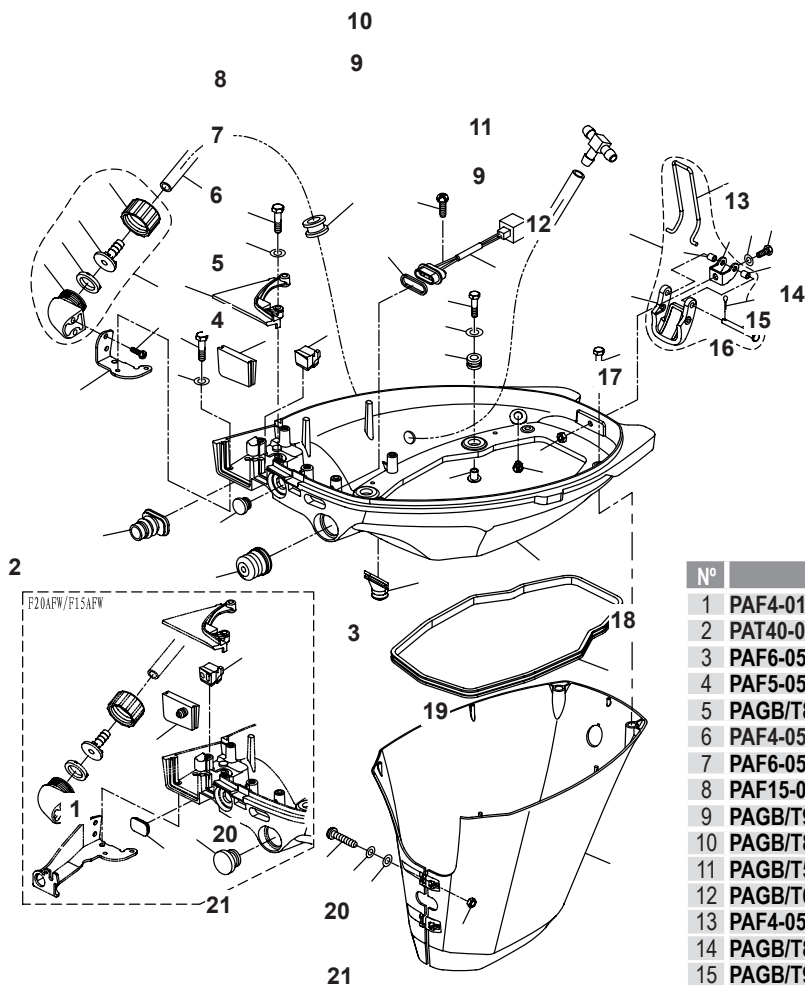
F6A / F5A

TAPA MOTOR / TOP COWLING ASSY / COPPERCHIO CALANDRA



N°	Ref.	Description	Quantity
1	PAF6-06000000	TOP COWLING ASSY	1
2	PAF6-06000004	COVER, TOP COWLING	1
3	PAF8-08000008	MARK 6	1
	PAF4-08000005	MARK 5	
4	PAF15-12000001	LEFT MARK	1
5	PAF15-12000002	RIGHT MARK	1
6	PAF6-06000001	TOP COWLING	1
7	PAGB/T97.1-5	WASHER 5	4
8	PAGB/T818-M5x14	SCREW, PAN HEAD M5x14	2
9	PAT36-06000003	FRONT POTHOOK	1
10	PAGB/T6170-M5	NUT M5	2
11	PAGB/T5783-M6x20	BOLT M6x20	4
12	PAGB/T97.1-6	WASHER 6	4
13	PAF6-06000002	SEAL	1
14	PAF4-08000019	MARK 19	1

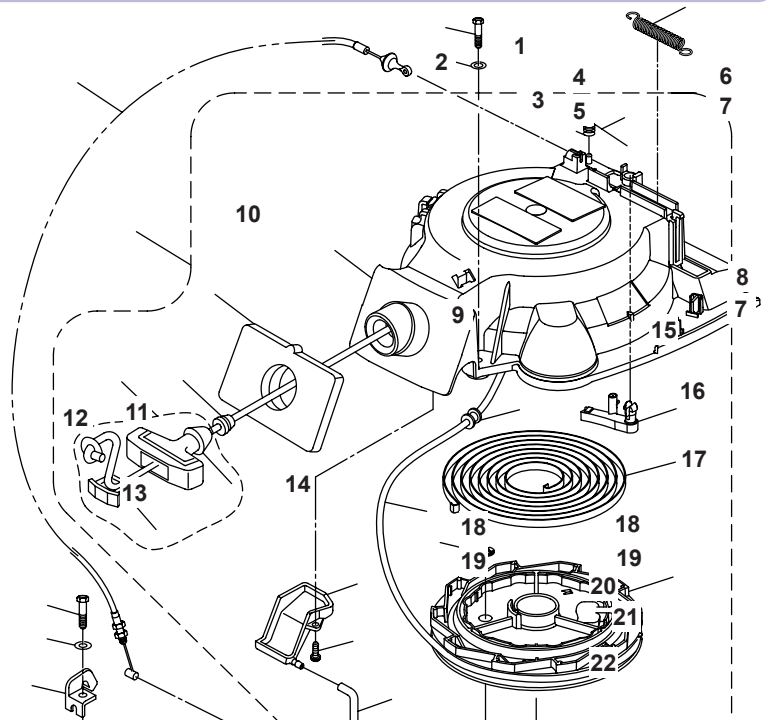
BANDEJA / BOTTOM COWLING / BASE CALANDRA



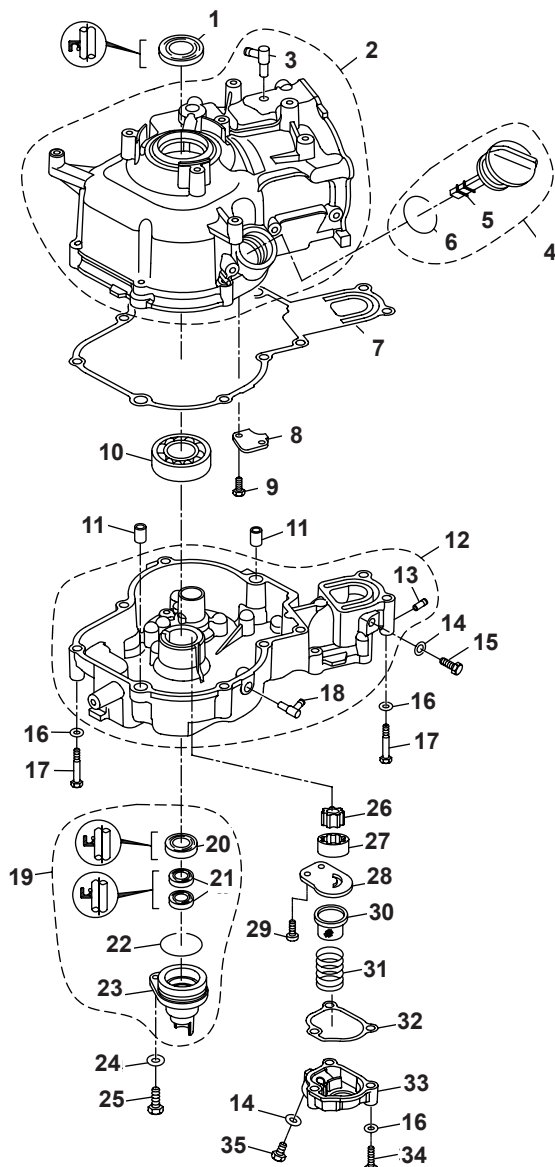
N°	Ref.	Description	Quantity
1	PAF4-01090401	STOPPER, HANG ROPE ASSY	1
2	PAT40-01020101	ENGINE STOP SWITCH ASSY	1
3	PAF6-05000001	BOTTOM COWLING	1
4	PAF5-05000102	PLUG, RUBBER	1
5	PAGB/T818-M4x12	SCREW M4x12	1
6	PAF4-05000101	KNOP, OIL SWITCH	1
7	PAF6-05000100	OIL SWITCH ASSY	1
8	PAF15-00000006	PIN Ø6x12	1
9	PAGB/T97.1-6	WASHER 6	5
10	PAGB/T818-M6x12	SCREW M6x12	1
11	PAGB/T5783-M6x20	BOLT M6x20	4
12	PAGB/T6170-M8	NUT M8	2
13	PAF4-05000023	LOCKING HOOK	1
14	PAGB/T818-M5x16	SCREW M5x16	1
15	PAGB/T97.1-5	WASHER 5	1
16	PAF4-05000020	SEAT, LOCKING HOOK	1
17	PAGB/T889.1-M5	LOCKING NUT M5	1
18	PAF5-05000013-2	COVER, RUBBER	1
19	PAF6-05000009	HANDLE	1
20	PAGB/T97.1-8	WASHER 8	2
21	PAF25-01010303	BOLT M8x20	2

ARRANQUE / STARTER ASSY / AVVIAMENTO

N°	Ref.	Description	Quantity
1	PAF6-05000010	TIGHTWIRE, DETENT	1
2	PAF6-04070000	STARTER ASSY	1
3	PAF6-04070001	CASING, STARTER	1
4	PAF4-04130009	DETENT	1
5	PAF4-04130010	WREST SPRING, DETENT	1
6	PAGB/T5783-M6x20	BOLT M6x20	1
7	PAGB/T97.1-6	WASHER 6	3
8	PAGB/T5783-M6x35	BOLT M6x35	2
9	PAF4-04130013	MEATUS, START ROPE	1
10	PAF6-04070003	ABSORBER, RUBBER	1
11	PAF4-04130101	HANDLE, STARTER	1
12	PAF4-04130102	COVER, STARTER HANDLE	1
13	PAF4-04130100	STARTER HANDLE ASSY	1
14	PAF4-04130011	WIRE, STARTER	1
15	PAF4-04130014	WASHER, THRUST	1
16	PAF4-04130005	SPRING, VOLUTE	1
17	PAF4-04130019	WHELL, START-UP	1
18	PAF4-04130004	SPRING, DRIVE	2
19	PAF4-04130003	PAWL, DRIVE	2
20	PAF4-04130007	SPRING, PLATE	1
21	PAF4-04130006	PLATE, PRELL	1
22	PAF4-04130008	BOLT, STARTER	1



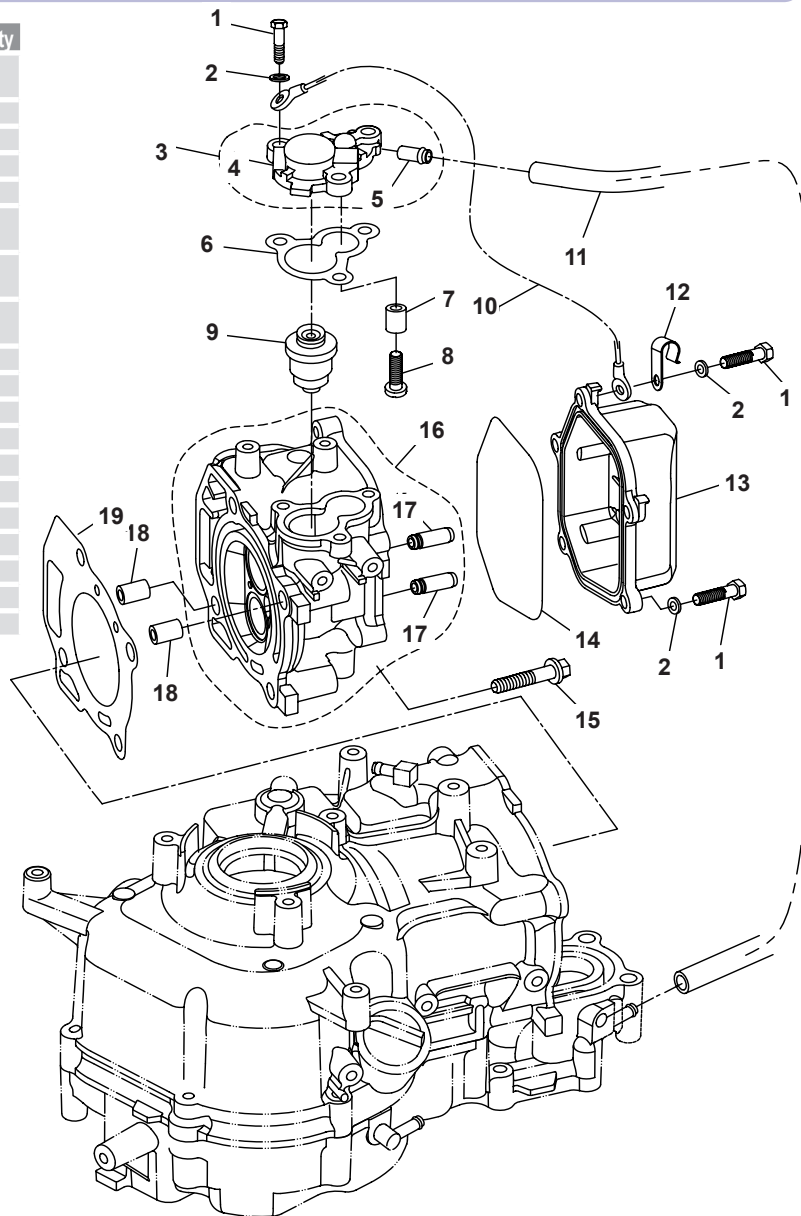
BLOQUE / CRANKCASE / BLOCCO



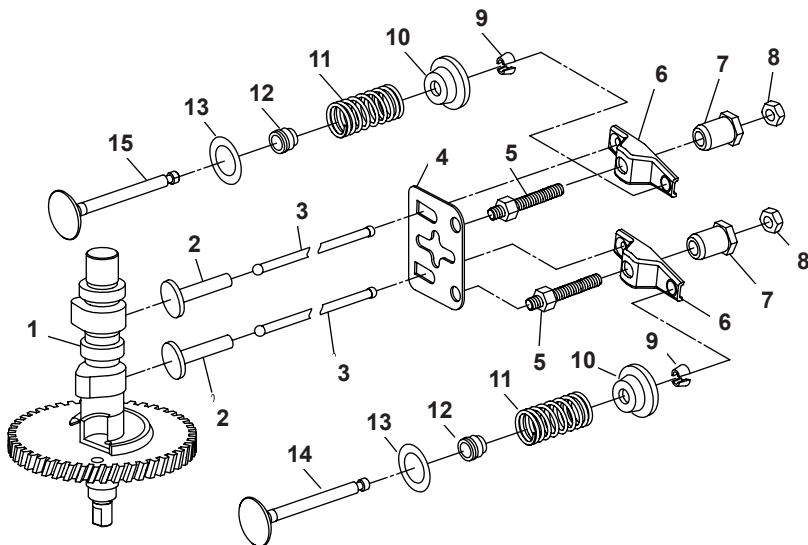
N°	Ref.	Description	Quantity
1	PAF4-04010004	OIL SEAL	1
2	PAF6-04010100	CRANK CASE ASSY	1
3	PAF8-05000700	GAS NIPPLE ASSY	1
4	PAF4-04000010	PLUG WITH DIPSTICK ASSY	1
5	PAF4-04000007	PLUG WITH DIPSTICK	1
6	PAF4-04000008	O-RING	1
7	PAF6-04000001	COMPLEX GASKET, CRANKCASE	1
8	PAF6-04010004	OIL BAFFLE PLATE	1
9	PAGB/T5783-M5x10	BOLT M5x10	2
10	PANTN 6205C3	BEARING 6205C3	1
11	PAF4-04000003	HOLLOW PIN Ø10x8.4x14	2
12	PAF6-04040100	COVER, CRANK CASE	1
13	PAF4-04010102	GAS NIPPLE	1
14	PAF4-04000006	WASHER	2
15	PAGB/T5783-M8x14	BOLT M8x14	1
16	PAGB/T97.1-6	WASHER 6	13
17	PAT6-05000021	BOLT M6x50	10
18	PAF15-04000005	WATER NIPPLE	1
19	PAF4-04060000	OIL SEAL SHELL ASSY	1
20	PAF2.6-04010001	OIL SEAL 20x30x7	1
21	PAF4-04060004	OIL SEAL 10.8x21x7	2
22	PAGB/T3452.1-Ø32.5xØ1.8	O-RNG Ø32.5xØ1.8	1
23	PAF4-04060001	SHELL, OIL SEAL	1
24	PAGB/T97.1-8	WASHER 8	1
25	PAGB/T5783-M8x20	BOLT M8x20	1
26	PAF6-04040002	INNER ROTOR, OIL PUMP	1
27	PAF6-04040003	OUTER ROTOR, OIL PUMP	1
28	PAF6-04040004	COVER BOARD, OIL PUMP	1
29	PAGB/T818-M6x10	BOLT M6x10	2
30	PAF6-04040006	STRAINER, OIL PUMP	1
31	PAF6-04040007	SPRING, OIL PUMP	1
32	PAF6-04040005	GASKET, OIL PUMP	1
33	PAF6-04040008	COVER, OIL PUMP	1
34	PAGB/T5783-M6x35	BOLT M6x35	3
35	PAF6-04040009	BOLT	1

CULATA / CYLINDER HEAD / TESTATA

N°	Ref.	Description	Quanty
1	PAGB/T5783-M6x20	BOLT M6x20	8
2	PAGB/T97.1-6	WASHER 6	8
3	PAF4-04070000	THERMOSTAT COVER ASSY	1
4	PAF4-04070001	COVER THERMOSTAT	1
5	PAF4-04010102	NOZZLE	1
6	PAF4-04000011	GSKET, THERMOSTAT COVER	1
7	PAF4-04070003	ANODE, THERMOSTAT COVER	1
8	PAGB/T818-M5x25	SCREW M5x25	1
9	PAF15-07000031	THERMOSTAT (S60)	1
10	PAF6-04000009	WIRE, LEAD	1
11	PAF6-04000020	PIPE, RETURN WATER	1
12	PAT36-04000023	CLAMP	1
13	PAF6-04000004	COVER, CYLINDER HEAD	1
14	PAF6-04000005	SEAL, RING	1
15	PAF4-04000034	BOLT, CYLINDER HEAD	4
16	PAF6-04050100	CYLINDER HEAD ASSY	1
17	PAF4-04080102	GUIDE, VALVE	2
18	PAF4-04000003	HOLLOW PIN Ø10x8.4x14	2
19	PAF6-04000002	GASKET, CYLINDER HEAD	1

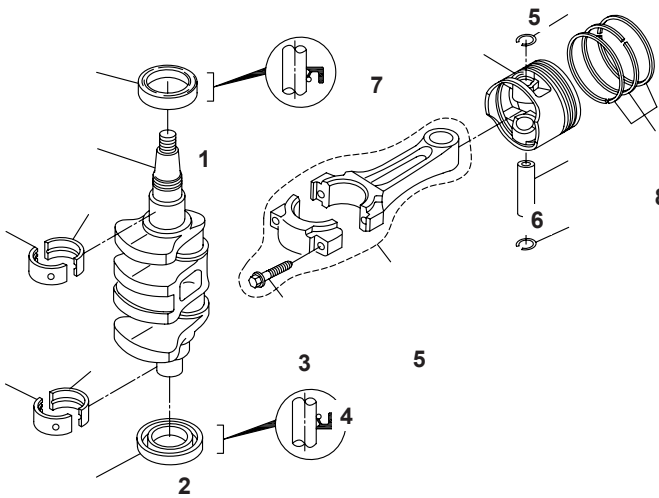


DISTRIBUCIÓN / CAMSHAFT / DISTRIBUZIONE



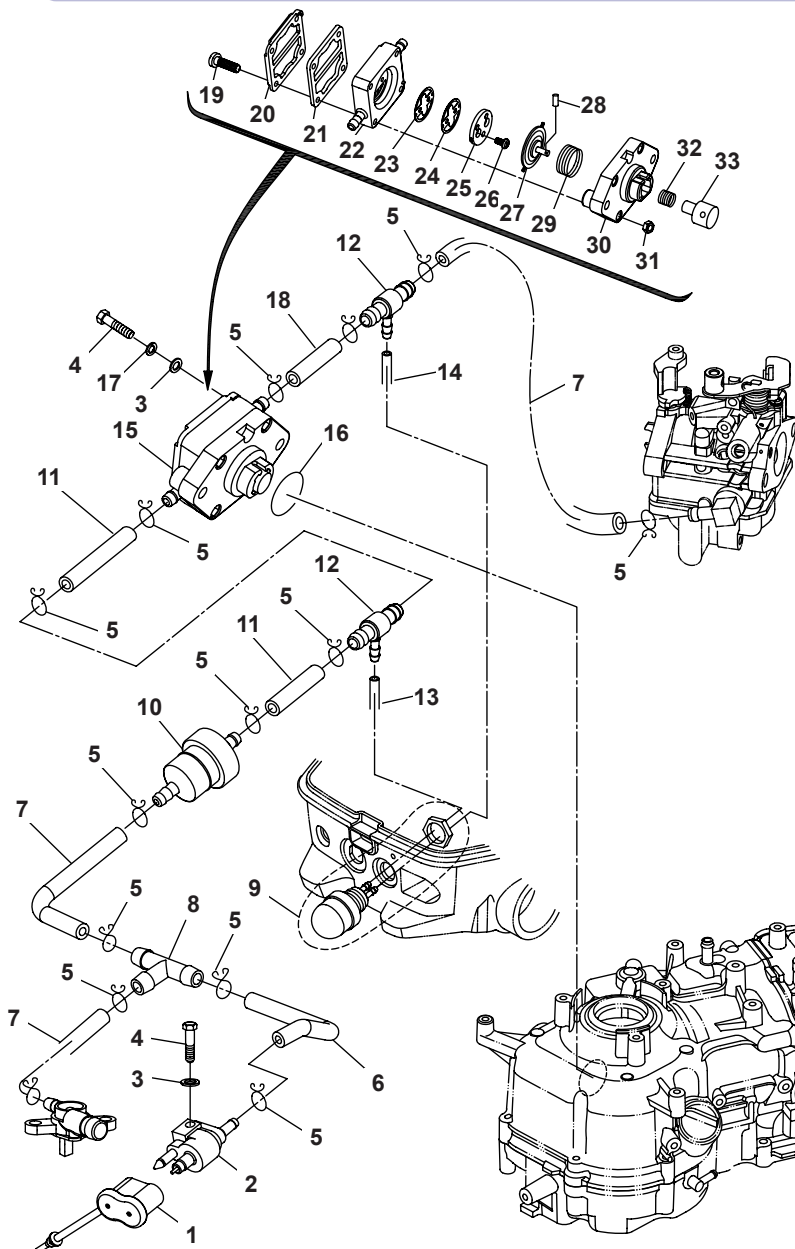
N°	Ref.	Description	Quanty
1	PAF6-04030000	CAMSHAFT ASSY	1
2	PA166F-000001	LIFTER, VALVE	2
3	PAF6-04000003	ROD, VALVE PUSH	2
4	PAF6-04050004	PLATE, PUSH ROD	1
5	PA166F-010008	BOLT, ROCKER ARM	2
6	PA166F-010009	ARM, VALVE ROCKER	2
7	PA166F-010010	PIVOT, ROCKER ARM	2
8	PA166F-010011	LOCKNUT M6x0.75	2
9	PAF8-05030007	CLAMP, VALVE	4
10	PAF8-05030006	SEAT, VALVE SPRING	2
11	PAF6-04050003	SPRING, VALVE	2
12	PA166F-010003	OIL SEAL, VALVE	2
13	PAF4-04080007	WASHER, VALVE SPRING	2
14	PAF6-04050002	DOOR, EXHAUST	1
15	PAF6-04050001	DOOR, INTAKE	1

CIGÜEÑAL Y PISTONES / CRANKSHAFT & PISTON ALBERO MOTORE E PISTONE



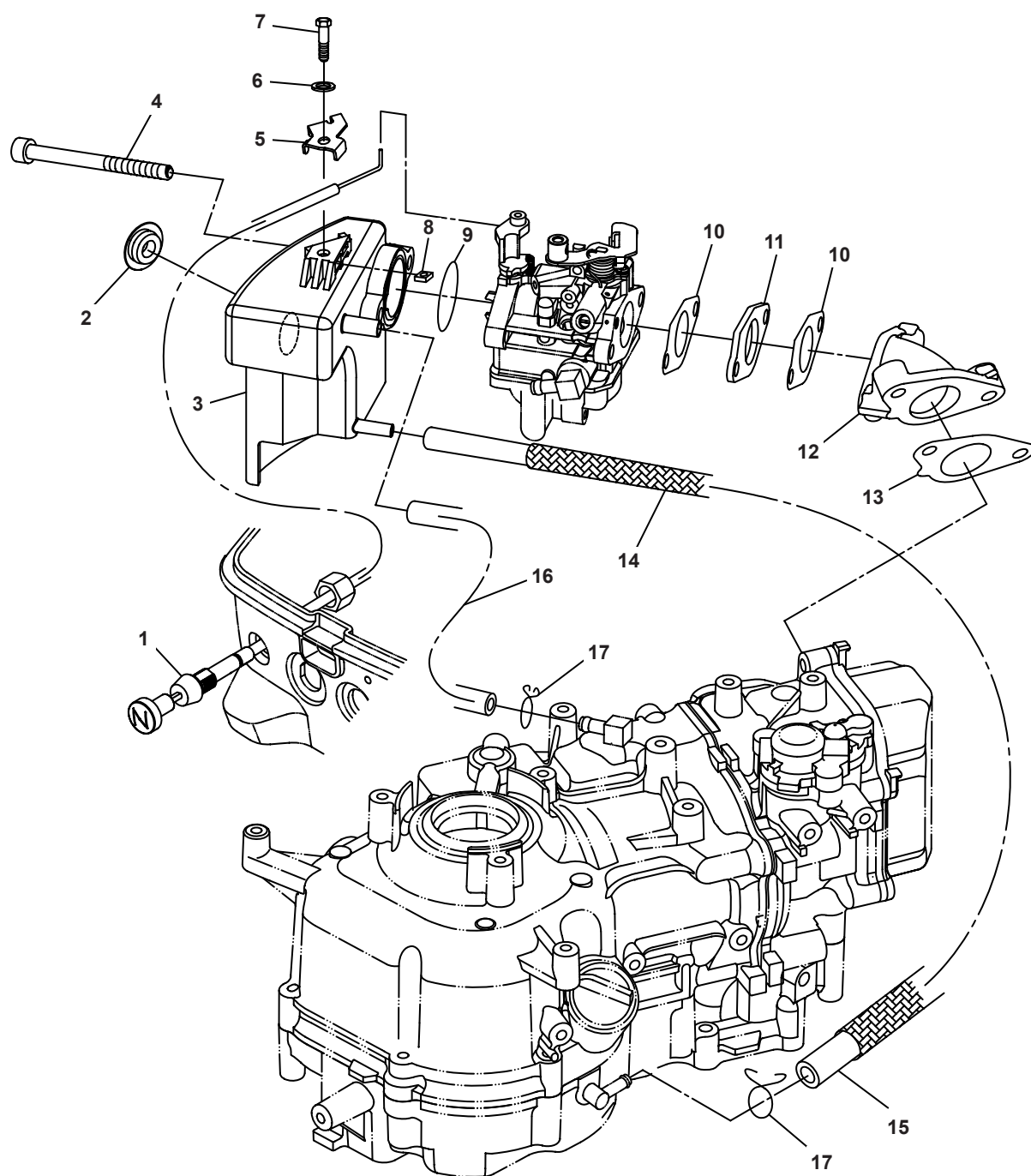
Nº	Ref.	Description	Quantity
1	PAF6-04000100	CRANK ASSY	1
2	PAF4-04000004	WASHER	1
3	PAF4-04020103	BOLT M7x35	2
4	PAF6-04020100	ROD, CONNECTING	1
5	PAF6-04020004	CIRCLIP	2
6	PAF6-04020003	PIN, PISTON	1
7	PAF6-04020001	PISTON	1
8	PAF6-04020002	PISTON RING ASSY	1

BOMBA COMBUSTIBLE / FUEL SYSTEM / POMPA BENZINA



Nº	Ref.	Description	Quantity
1	PAF6-05000006	RUBBER COVER	1
2	PAF4-05000200	FUEL PIPE, TIE-IN ASSY	1
3	PAGB/T97.1-6	WASHER 6	3
4	PAGB/T5783-M6x25	BOLT M6x25	3
5	PAF4-04000030	CLIP "B", FUEL PIPE	14
6	PAF6-05000002	FUEL PIPE "E"	1
7	PAF4-05000007	FUEL PIPE "C"	3
8	PAF15-05000011	PIPE, JOINT 3	1
9	PAF6-05010000	MANUAL PUMP ASSY	1
10	PAF4-05000300	FUEL FILTER ASSY	1
11	PAF6-04000017	FUEL PIPE "C" Ø5xØ10x60	2
12	PAF6-04000600	PIPE JOINT 3	2
13	PAF6-04000018	FUEL PIPE "D" Ø2.5xØ7x240	1
14	PAF6-04000016	FUEL PIPE "B" Ø2.5xØ7x500	1
15	PAF4-04090000	FUEL PUMP ASSY	1
16	PAF4-04090009	O-RING	1
17	PAGB/T93-6	SPRING WASHER 6	2
18	PAT6-03000002	PIPE	1
19	PAGB/T823-M4x25	SCREW, SMALL PAN HEAD M4x25	4
20	PAF4-04090003	COVER, FUEL PUMP	1
21	PAF4-04090004	DIAPHRAGM, TOP	1
22	PAF4-04090100A	FUEL PUMP SHELL	1
23	PAF4-04090001A	VALVE "B"	1
24	PAF4-04090002A	VALVE "A"	1
25	PAF4-04090003A	LIMITING BLOCK, SEPTUM	1
26	PAGB/T819.2-M3x5	SCREW M3x5	2
27	PAF4-04090100	DIAPHRAGM ASSY	1
28	PAGB/T309-3x12	ROLLER NEEDLE Ø3x12	1
29	PAF4-04090008	SPRING, DIAPHRAGM	1
30	PAF4-04090001	SEAT, FUEL PUMP	1
31	PAGB/T6170-M4	NUT M4	4
32	PAF4-04090007	SPRING, PLUNGER	1
33	PAF4-04090006	PLUNGER	1

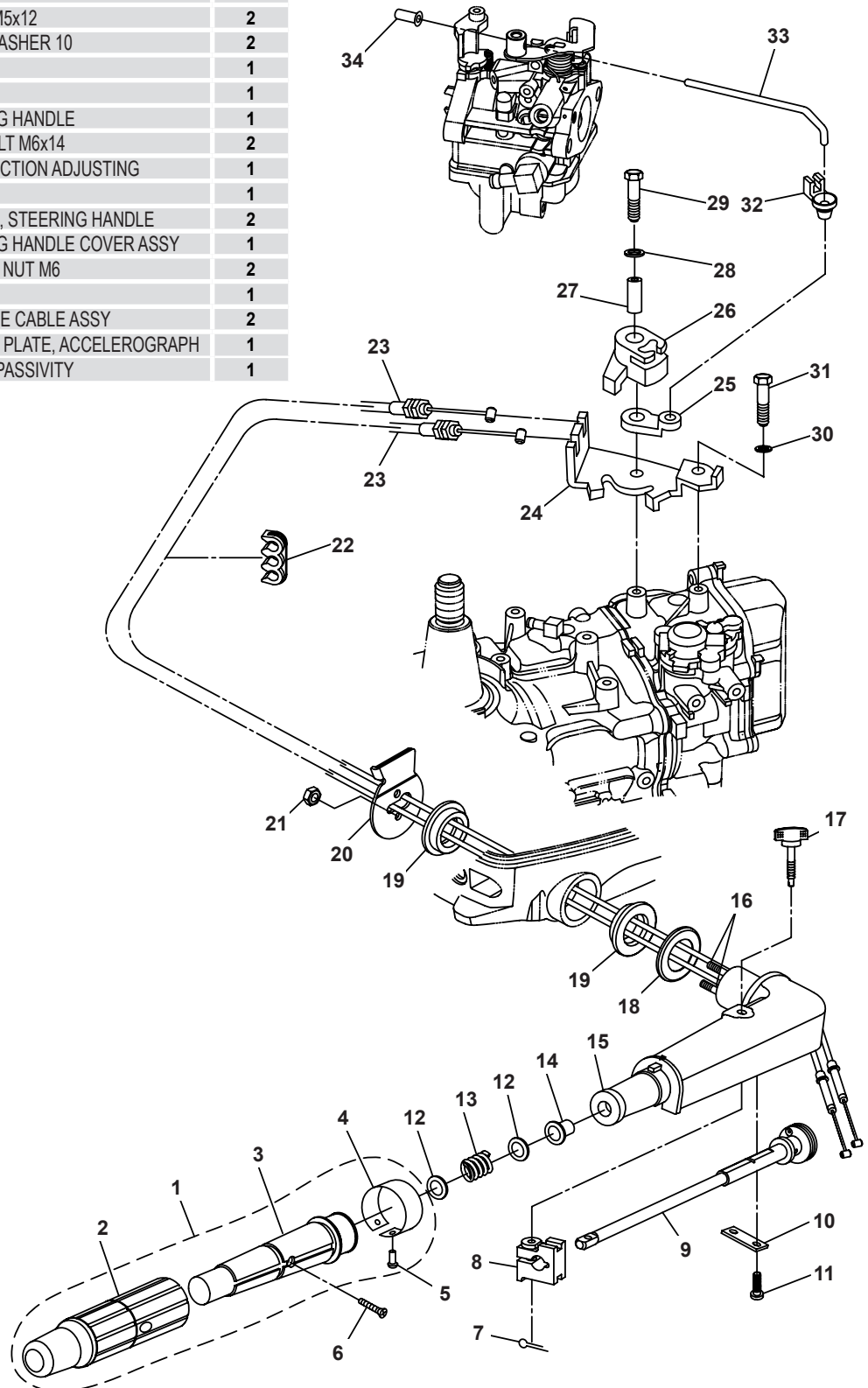
ADMISIÓN / INTAKE / ASPIRAZIONE



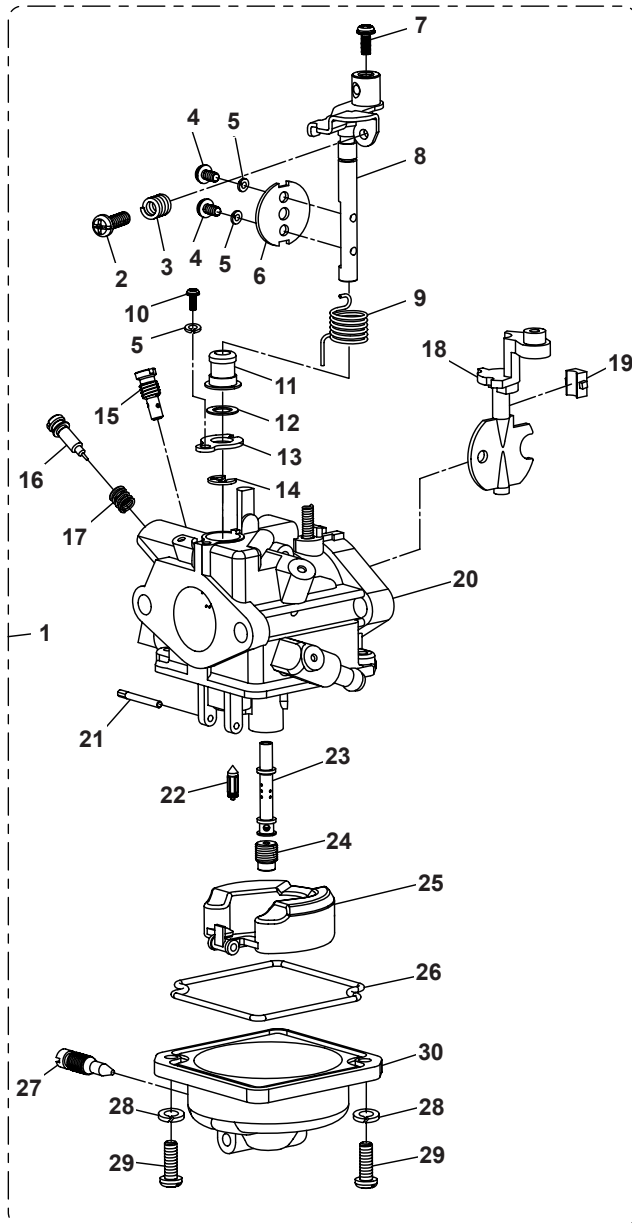
Nº	Ref.	Description	Quantity
1	PAF6-05000200	AIR CHOKE ASSY	1
2	PAF4-04110003	PLUG, INTAKE SILENCE	1
3	PAF6-04000200	INTAKE SILENCE ASSY	1
4	PAGB/T70.1-M6x85	BOLT M6x85	2
5	PAF6-04000014	PRESSING PLATE	1
6	PAGB/T97.1-5	WASHER 5	1
7	PAGB/T5783-M5x10	BOLT M5x10	1
8	PAGB/T39-M5	SQUARE NUT M5	1
9	PAGB/T3452-31.5x1.8	O-RING	1
10	PAF6-04000012	GASKET, CARBURETOR	2
11	PAF6-04000013	GASKET, CARBURETOR	1
12	PAF6-04000011	MANIFOLD, INTAKE	1
13	PAF6-04000010	GASKET, INTAKE MANIFOLD	1
14	PAF6-04000302	JACKET, RETURN OIL PIPE	1
15	PAF6-04000301	PIPE, RETURN OIL	1
16	PAF6-04000019	PIPE "B", RETURN OIL	1
17	PAF4-04000030	CLIP "B", FUEL PIPE	2

DIRECCIÓN / STEERING / STERZO

N°	Ref.	Description	Qty	N°	Ref.	Description	Qty
1	PAF4-01090300	STEERING HANDLE ASSY	1	26	PAF6-04000023	PULLEY, DRIVE	1
2	PAF4-01090302	RUBBER, STEERING HANDLE	1	27	PAF6-04000025	BUSHING	1
3	PAF4-01090301	GRIP, STEERING HANDLE	1	28	PAGB/T96-6	BIG WASHER 6	1
4	PAF4-01090303	INDICATOR THROTTLE	1	29	PAGB/T5783-M6x35	BOLT M6x35	1
5	PAGB/T827-2x5	RINET Ø2x5	1	30	PAGB/T97.1-6	WASHER 6	1
6	PAGB/T820-M5x25	SCREW M5x25	1	31	PAGB/T5783-M6x10	BOLT M6x10	1
7	PAGB/T91-1.6x12	COTTER PIN 1.6x12	1	32	PAF15-07000016	JOINT, ACCELEROGRAPH CONTROL	1
8	PAF4-01090003	FRICTION, STEERING HANDLE	1	33	PAF6-04000027	LINK ROD, ACCELEROGRAPH CONTROL	1
9	PAF6-01020100	LEVER, THROTTLE	1	34	PAF6-04000028	RUBBER CAP	1
10	PAF15-01020002	FIXED PLATE	1				
11	PAGB/T818-M5x12	SCREW M5x12	2				
12	PAGB/T848-10	SMALL WASHER 10	2				
13	PAF4-01090007	SPRING	1				
14	PAF4-01090006	BUSHING	1				
15	PAF6-01020001	STEERING HANDLE	1				
16	PAGB/T899-M6x14	STUD BOLT M6x14	2				
17	PAF4-01090200	BOLT, FRICTION ADJUSTING	1				
18	PAF6-01000002	COVER	1				
19	PAF6-01000001	BUSHING, STEERING HANDLE	2				
20	PAF6-01000003	STEERING HANDLE COVER ASSY	1				
21	PAGB/T889.1-M6	LOCKING NUT M6	2				
22	PAF25-05000016	CLAMP	1				
23	PAF6-01020200	THROTTLE CABLE ASSY	2				
24	PAF6-04000022	FIXATION PLATE, ACCELEROGRAPH	1				
25	PAF6-04000024	PULLEY, PASSIVITY	1				

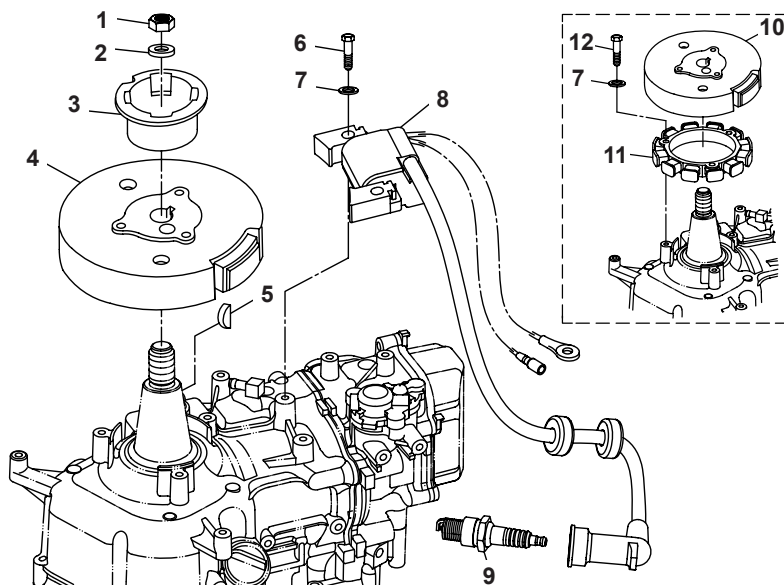


CARBURADOR / CARBURETOR ASSY / CARBURATORE



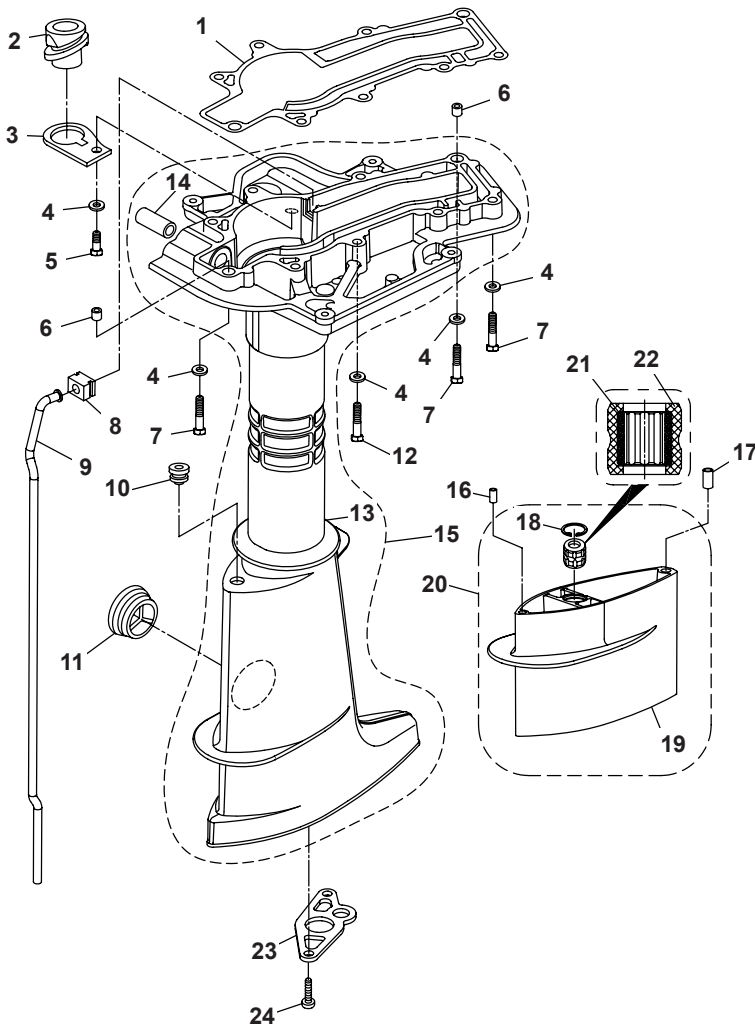
N°	Ref.	Description	Quantity
1	PAF6-04060000	CARBURETOR ASSY	1
2	PAF6-04060006	SCREW, AIR ADJUSTING	1
3	PAF6-04060007	SPRING	1
4	PAGB/T818-M3x6	SCREW M3x6	2
5	PAGB/T93-3	SPRING WASHER 3	3
6	PAF6-04060008	APRON, ACCELERATOR	1
7	PAGB/T818-M4x8	SCREW M4x8	1
8	PAF6-04060100	ACCELERATOR BAR ASSY	1
9	PAF6-04060002	SPRING, SWING LINK	1
10	PAGB/T818-M3x8	SCREW M3x8	1
11	PAF6-04060003	BUSHING	1
12	PAF6-04060004	WASHER, NYLON	1
13	PAF6-04060005	PRESSING PLATE	1
14	PAGB/T896-4	CIRCLIP 4	1
15	PAF6-04060013	JET, AIR ADJUSTING	1
16	PAF6-04060011	SCREW, MIXTURE	1
17	PAF6-04060012	SPRING	1
18	PAF6-04060009	APRON, AIR CHOKE	1
19	PAF6-04060010	BLOCK, AIR CHOKE	1
20	PAF6-04060001	BODY, CARBURETOR	1
21	PAF6-04060016	PIN, FLOAT	1
22	PAF6-04060014	NEEDLE VALVE	1
23	PAF6-04060017	MAIN NOZZLE	1
24	PAF6-04060018	MAIN JET	1
25	PAF6-04060015	FLOAT	1
26	PAF6-04060020	SEAL RING	1
27	PAF6-04060021	SCREW, DRAIN	1
28	PAGB/T93-4	SPRING WASHER 4	2
29	PAGB/T818-M4x12	SCREW M4x12	2
30	PAF6-04060019	BODY, OIL CUP	1

ELECTRICIDAD / ELECTRICAL / PARTE ELETTRICA



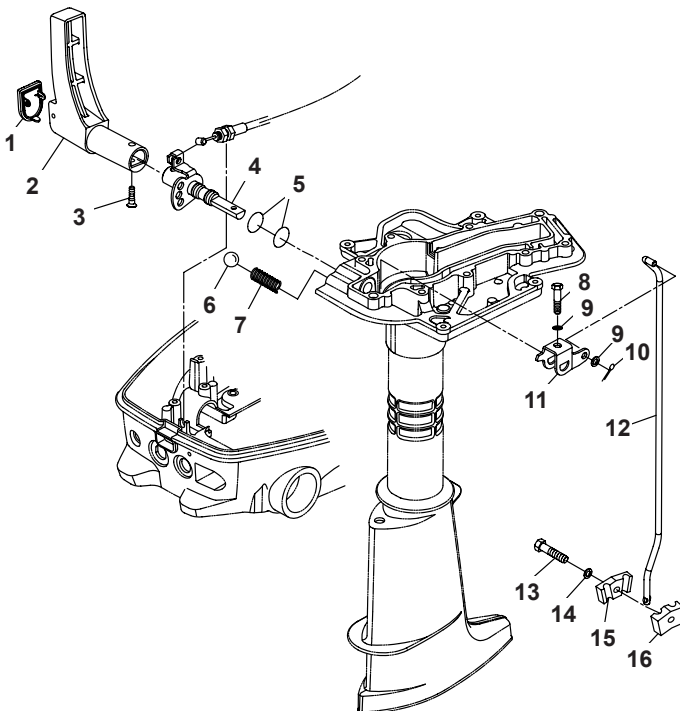
N°	Ref.	Description	Quantity
1	PAF8-05000024	NUT, FLYWHEEL	1
2	PAT15-05000011	WASHER, FLYWHEEL	1
3	PAF6-04000029	PULLEY, STANTER	1
4	PAF6-04000500	FLYWHEEL ASSY	1
5	PAF4-04000019	KEY	1
6	PAGB/T5783-M6x25	BOLT M6x25	2
7	PAGB/T97.1-6	WASHER 6	5
8	PAF6-04000400	IGNITION COIL ASSY	1
9	PANGK CR6HSA	SPARK PLUG	1
10	PAF6-04000700A	FLYWHEEL ASSY	1
11	PAF6-04000800A	STARTOR ASSY	1
12	PAGB/T5783-M6x30	BOLT M6x30	3

COLA SUPERIOR / UPPER CASING / PARTE ALTA PIEDE



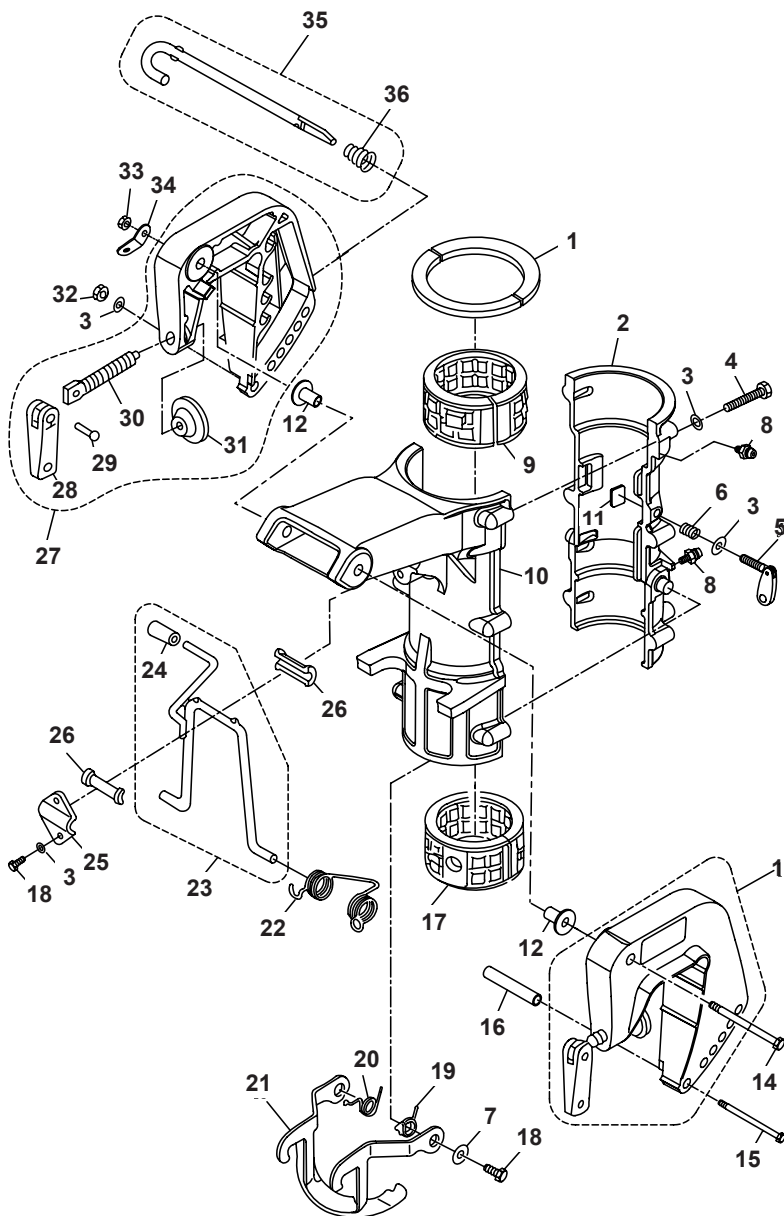
N°	Ref.	Description	Quantity
1	PAF6-00000001	GASKET ENGINE	1
2	PAF6-02000003	RUBBER SLEEVE, OIL OUTLET	1
3	PAF6-02000004	PRESSING PLATE	1
4	PAGB/T97.1-6	WASHER 6	10
5	PAGB/T5783-M6x14	BOLT M6x14	1
6	PAF4-00000001	HOLLOW PIN Ø9x6.5x10	2
7	PAGB/T5782-M6x40	M6x40	5
8	PAF4-02040002	RUBBER SEAL	1
9	PAF6-02000001L	WATER PIPE (L)	1
	PAF6-02000001S	WATER PIPE (S)	1
10	PAF4-02000011	SEAL, SHIFT ROD	1
11	PAF4-02000012	RUBBER PLUG, UPPER CASING	1
12	PAGB/T5782-M6x50	BOLT M6x50	4
13	PAG6-02000101	UPPER CASING	1
14	PAF4-02000002	COPPER BUSH, UPPER CASING	1
15	PAF6-02000100	UPPER CASING ASSY	1
16	PAT5-00000001	HOLLOW PIN Ø7.5	1
17	PAT5-00000002	HOLLOW PIN Ø9.5	1
18	PAGB/T893.1-22	CIRCLIP 22	1
19	PAT5-02010001	EXTENSION	1
20	PAT5-02010000	EXTENSION ASSY	1
21	PAT5-02010002	BUSHING, DRIVE SHAFT	1
22	PAF2.6-03020003L	RUBBER BUSHING	1
23	PAT5-02000008	ORIENTED PLATE, WATER PIPE	1
24	PAGB/T818-M5x10	SCREW M5x10	2

CAMBIO / CONTROL SYSTEM / CALANDRA



N°	Ref.	Description	Quantity
1	PAF6-02000005-1	COVER	1
2	PAF6-02000005	HANDLE, GEAR SHIFT	1
3	PAGB/T820-M5x20	SCREW M5x20	1
4	PAF6-02000200	SHAFT, CHANGE	1
5	PAJISB2401-P9	O-RING	2
6	PAGB/T308-8	BALL 8	1
7	PAF4-02000003	SPRING, GEAR	1
8	PAGB/T5783-M5x25	BOLT M5x25	1
9	PAGB/T97.1-5	WASHER 5	2
10	PAGB/T91-1.6x12	PIN COTTER 1.6x12	1
11	PAF4-02000006	LEVER, SHIFT ROD	1
12	PAF6-02000002	ROD, SHIFT	1
13	PAGB/T5783-M6x20	BOLT M6x20	1
14	PAF4-00000005	BIG WASHER	1
15	PAF2.6-00000001	CONNECTOR, SHIFT ROD "A"	1
16	PAF2.6-00000002	CONNECTOR, SHIFT ROD "B"	1

SOPORTE MOTOR / BRACKET / SUPPORTO MOTORE

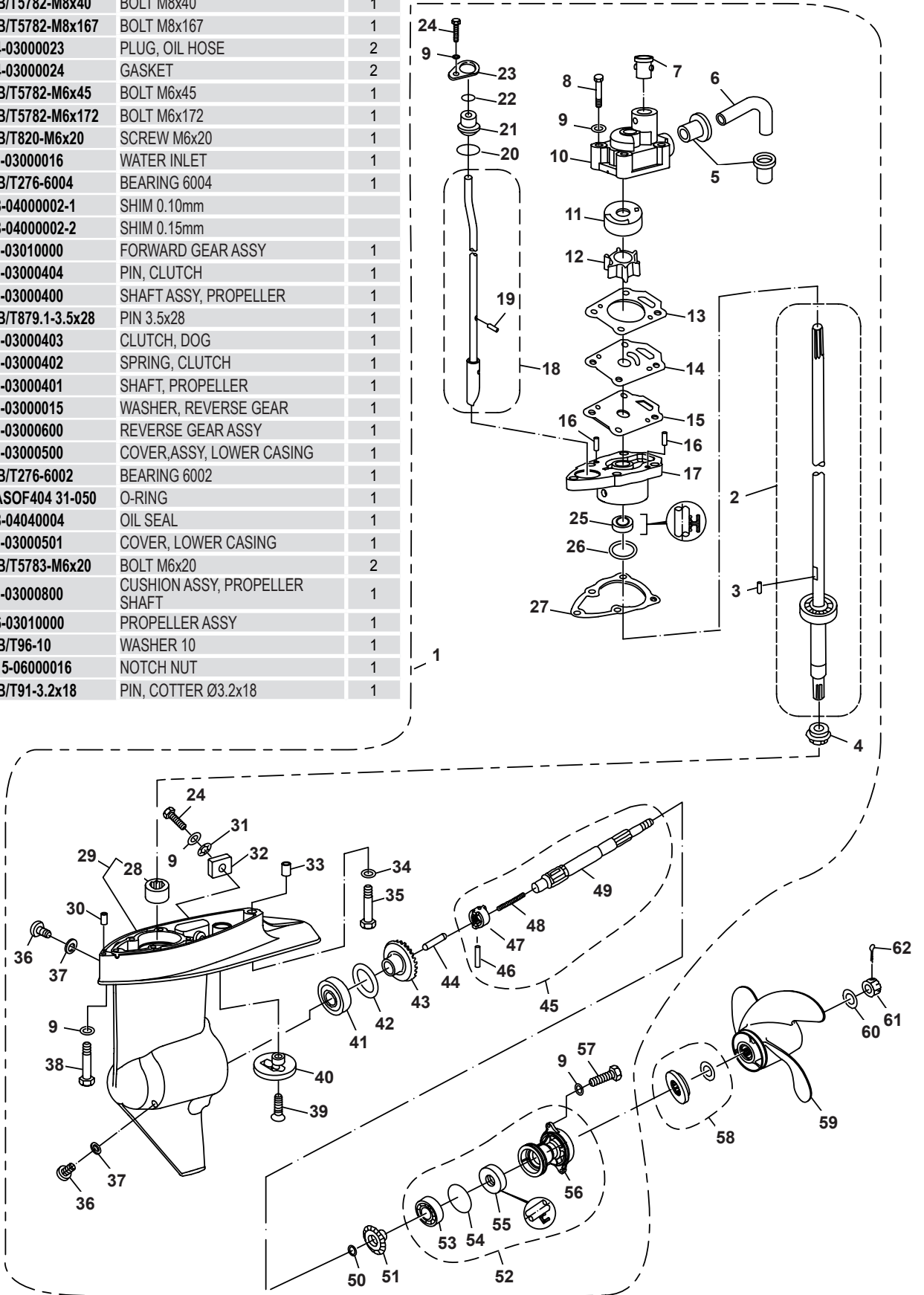


Nº	Ref.	Description	Quantity
1	PAT5-01010003	NYLON GASKET	2
2	PAF6-01010101	COVER, ROTARY BRACKET	1
3	PAGB/T97.1-6	WASHER 6	10
4	PAGB/T5783-M6x35	BOLT M6x35	6
5	PAF2.6-01050100	LOCKED HANDLE ASSY	1
6	PAF2.6-01050002	COMPRESS SPRING	1
7	PAGB/T96-6	BIG WASHER 6	3
8	PAJB/T9740.1-M6	OILER M6	2
9	PAT5-01010004	UPPER ABSORBER	1
10	PAF6-01010001	SEAT, ROTARY BRACKET	1
11	PAT5-01010100	LOCKED BLOCK ASSY	2
12	PAF4-01000003	NYLON WASHER	2
13	PAF4-01010000	CLAMP BRACKET ASSY (RIGHT)	1
14	PAGB/T5782-M8x140	BOLT M8x140	1
15	PAGB/T5782-M6x130	BOLT M6x130	1
16	PAF8-01010001	TUBE BOLT	1
17	PAT5-01010005	LOWER ABSORBER	1
18	PAGB/T5783-M6x12	BOLT M6x12	4
19	PAF4-01000007	WREST SPRING (RIGHT)	1
20	PAF4-01000006	WREST SPRING (LEFT)	1
21	PAT5-01010300	LOCKED HOOK ASSY, TILT	1
22	PAT5-01010002	WREST SPRING, BRACKET	1
23	PAT5-01010400	SUPPORT ASSY	1
24	PAF4-01030103	HANDLE SHEATH	1
25	PAF8-01010105	PRESS PLATE	1
26	PAF8-01010103	BUSHING, BRACKET	2
27	PAF4-01020000	CLAMP BRACKET ASSY (LEFT)	1
28	PAF4-01010004	CLAMP HANDLE, STERN	2
29	PAF4-01010005	RIVET, CLAMP HANDLE	2
30	PAF4-01010002	CLAMP SCREW	2
31	PAF4-01010003	CLAMP PAD	2
32	PAGB/T6170-M6	NUT M6	1
33	PAGB/T889.1-M8	LOCKING NUT M8	1
34	PAF4-01000002	PLATE, TWO HOLE	1
35	PAF8-01010200	THRUST ROD ASSY	1
36	PAF4-01050002	CONICAL SPRING	1

COLA INFERIOR / LOWER CASING / PARTE INFERIORE PIEDE

Nº	Ref.	Description	Quantity	Nº	Ref.	Description	Quantity
1	PAF6-03000000L	LOWER CASING ASSY (L)	1	16	PAF25-04000007	PIN Ø4x10	2
	PAF6-03000000S	LOWER CASING ASSY (S)	1	17	PAT5-03000201	WATER PUMP SEAT	1
2	PAF6-03000100 (L)	DRIVE SHAFT ASSY (L)	1	18	PAT5-03000100 (L)	CAM ASSY, SHIFT ROD (L)	1
	PAF6-03000100 (S)	DRIVE SHAFT ASSY (S)	1		PAT5-03000100 (S)	CAM ASSY, SHIFT ROD (S)	1
3	PAT5-03000009	DOWEL PIN, IMPELLER	1	19	PAGB/T879.2-1.5x12	PIN 1.5x12	1
4	PAT5-03000003	PINION	1	20	PAJISB2401 P16	O-RING 15.8x2.4	1
5	PAT5-03000013	SEAL A, WATER PIPE	2	21	PAT5-03000020	ORIENTED BUSHING, SHIFT ROD	1
6	PAT5-03000012	SEAL B, WATER PIPE	1	22	PAT5-03000022	SEAL B, ORIENTED BUSHING	1
7	PAT5-03000014	SEAL B, WATER PIPE	1	23	PAT5-03000023	PLATE, ORIENTED BUSHING	1
8	PAGB/T5782-M6x45	BOLT M6x45	4	24	PAGB/T5783-M6x16	BOLT M6x16	2
9	PAGB/T97.1-6	WASHER 6	9	25	PAT5-03000202	OIL SEAL, WTAER PUMP SEAT	1
10	PAF6-03000001	WATER PUMP	1	26	PAT5-03000004-1	SHIM 0.10mm	
11	PAF6-03000002	INNER SHELL, WATER PUMP	1		PAT5-03000004-2	SHIM 0.15mm	
12	PAT5-03000300	IMPELLER, WATER PUMP	1	27	PAT5-03000005	GASKET, WATER PUMP SEAT	1
13	PAF6-03000003	UPPER GASKET, OUTER PLATE	1	28	PATLA1412Z	NEEDLE BEARING	1
14	PAT5-03000007	OUTER PLATE	1	29	PAT5-03000700	LOWER CASING ASSY	1
15	PAT5-03000006	LOWER GASKET, OUTER PLATE	1	30	PAT5-00000001	HOLLOW PIN Ø7.5x10	1

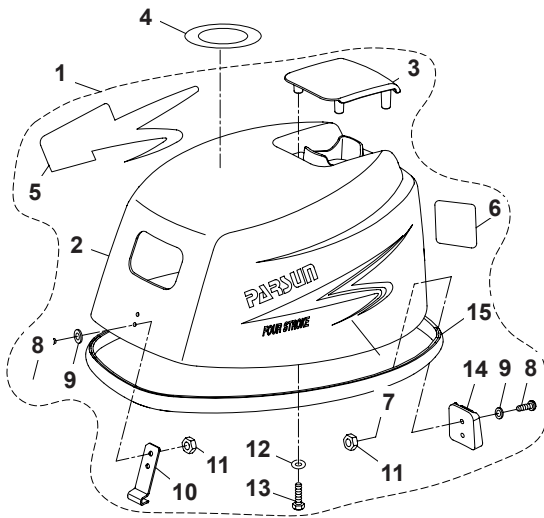
N°	Ref.	Description	Quanty
31	PAGB/T861.1-6	LOCK WASHER 6	1
32	PAT5-03000017	ANODE	1
33	PAT5-00000002	HOLLOW PIN Ø9.5x10	1
34	PAGB/T97.1-8	WASHER 8	1
35	PAGB/T5782-M8x40	BOLT M8x40	1
	PAGB/T5782-M8x167	BOLT M8x167	1
36	PAF4-03000023	PLUG, OIL HOSE	2
37	PAF4-03000024	GASKET	2
38	PAGB/T5782-M6x45	BOLT M6x45	1
	PAGB/T5782-M6x172	BOLT M6x172	1
39	PAGB/T820-M6x20	SCREW M6x20	1
40	PAT5-03000016	WATER INLET	1
41	PAGB/T276-6004	BEARING 6004	1
42	PAF8-04000002-1	SHIM 0.10mm	
	PAF8-04000002-2	SHIM 0.15mm	
43	PAT5-03010000	FORWARD GEAR ASSY	1
44	PAT5-03000404	PIN, CLUTCH	1
45	PAT5-03000400	SHAFT ASSY, PROPELLER	1
46	PAGB/T879.1-3.5x28	PIN 3.5x28	1
47	PAT5-03000403	CLUTCH, DOG	1
48	PAT5-03000402	SPRING, CLUTCH	1
49	PAT5-03000401	SHAFT, PROPELLER	1
50	PAT5-03000015	WASHER, REVERSE GEAR	1
51	PAT5-03000600	REVERSE GEAR ASSY	1
52	PAT5-03000500	COVER,ASSY, LOWER CASING	1
53	PAGB/T276-6002	BEARING 6002	1
54	PAJASOF404 31-050	O-RING	1
55	PAF8-04040004	OIL SEAL	1
56	PAT5-03000501	COVER, LOWER CASING	1
57	PAGB/T5783-M6x20	BOLT M6x20	2
58	PAT5-03000800	CUSHION ASSY, PROPELLER SHAFT	1
59	PAF6-03010000	PROPELLER ASSY	1
60	PAGB/T96-10	WASHER 10	1
61	PAF15-06000016	NOTCH NUT	1
62	PAGB/T91-3.2x18	PIN, COTTER Ø3.2x18	1





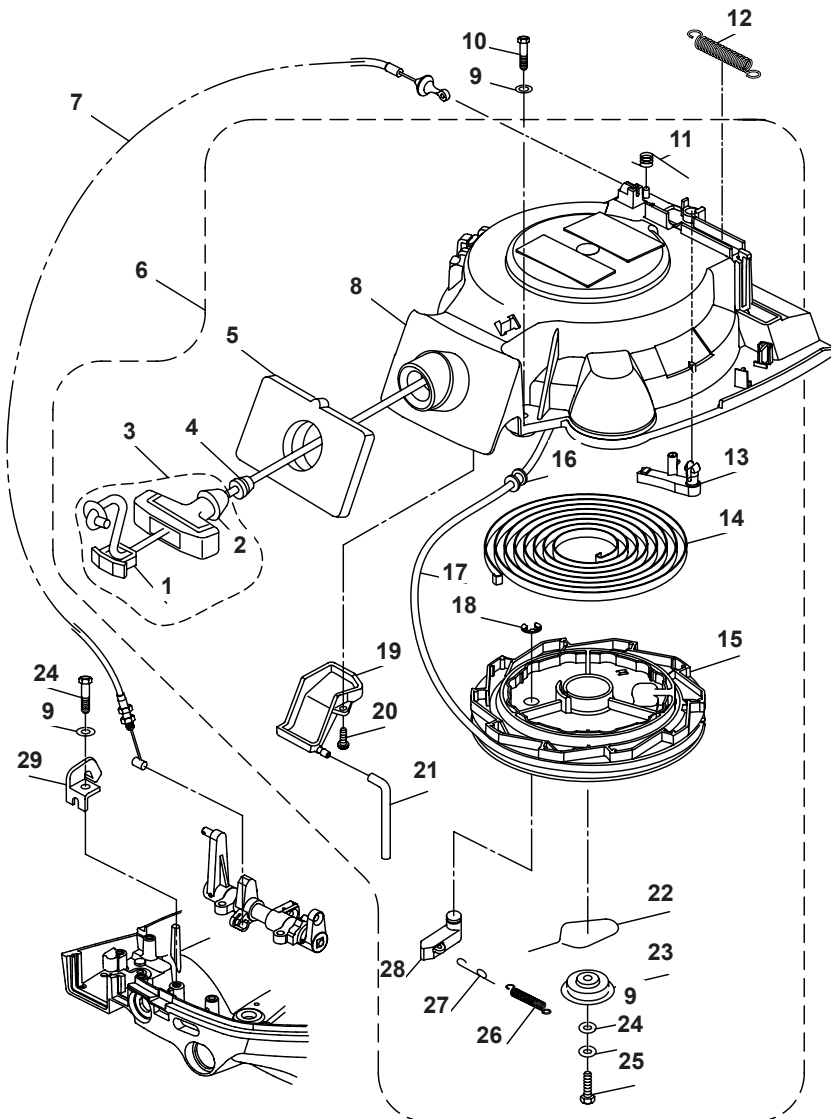
F20A / F15A

TAPA MOTOR / TOP COWLING ASSY / CALANDRA



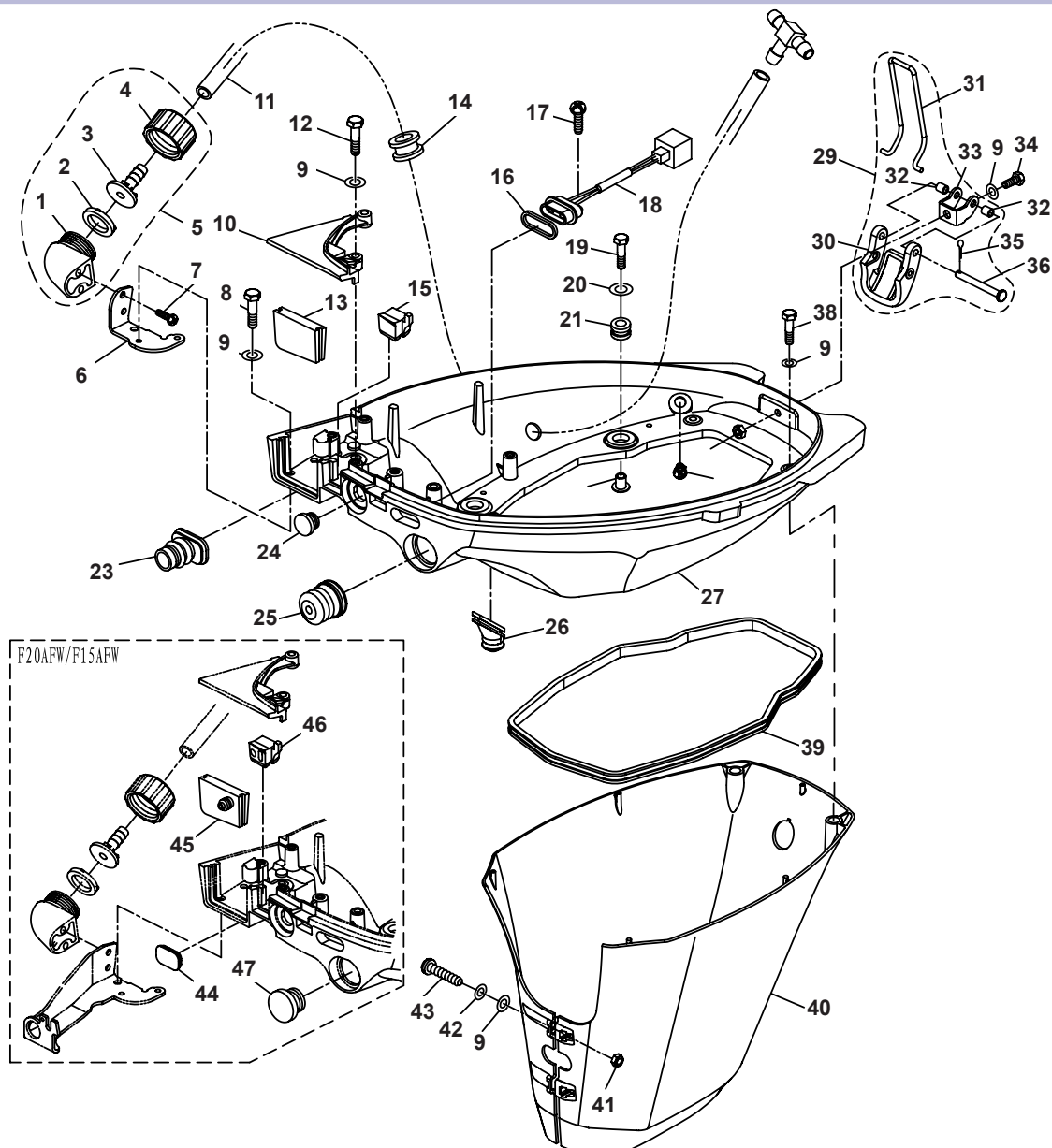
N°	Ref.	Description	Quantity
1	PAF20-06000000	TOP COWLING ASSY	1
2	PAF20-06000001	TOP COWLING	1
3	PAF20-06000003	COVER, TOP COWLING	1
4	PAF4-08000019	MARK 19	1
5	PAF15-12000002	MARK, RIGHT	1
6	PAF25-08000006	MARK, FRONT (F20)	1
	PAF15-12000003	MARK, FRONT (F15)	1
7	PAF15-12000001	MARK, LEFT	1
8	PAGB/T818-M5x16	SCREW M5x16	4
9	PAGB/T97.1-5	WASHER 5	4
10	PAF20-06000004	HOOK, FRONT	1
11	PAGB/T6170-M5	NUT M5	4
12	PAGB/T97.1-6	WASHER 6	4
13	PAGB/T5783-M6x20	BOLT M6x20	4
14	PAF20-06000005	LOCKING HOOK	1
15	PAF20-06000002	SEAL, RUBBER	1

ARRANQUE / STARTER ASSY / AVVIAMENTO

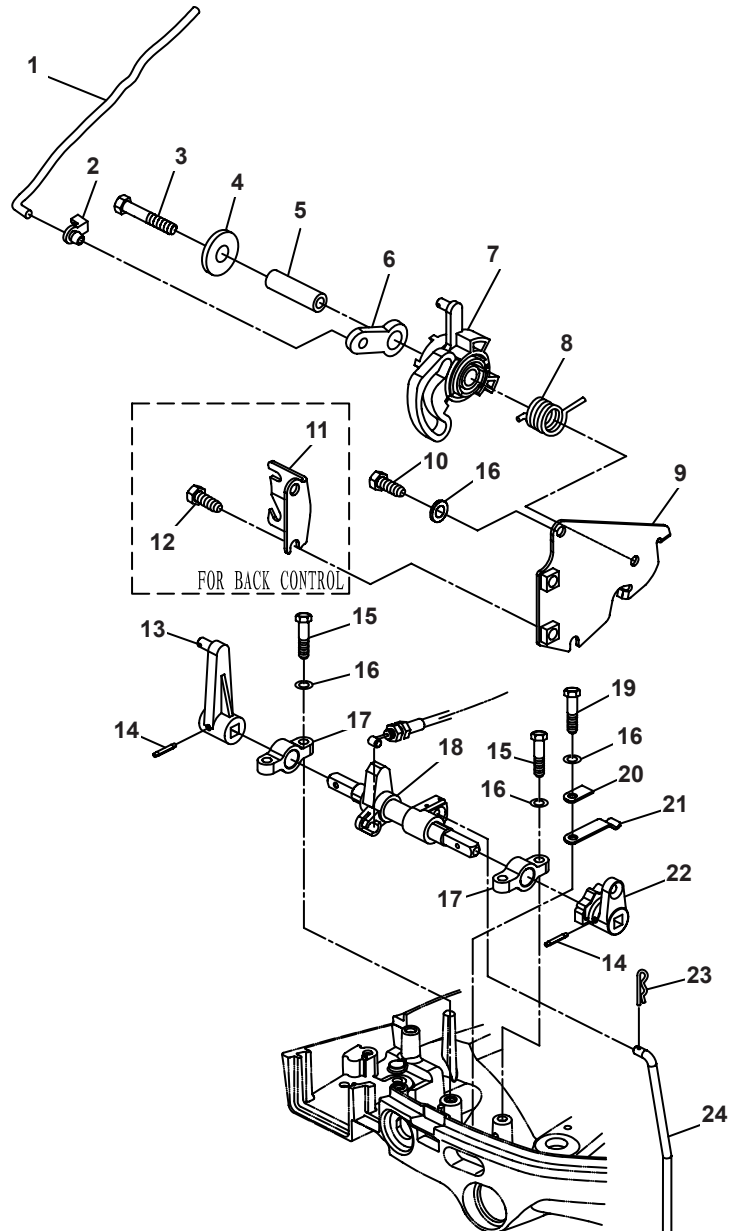
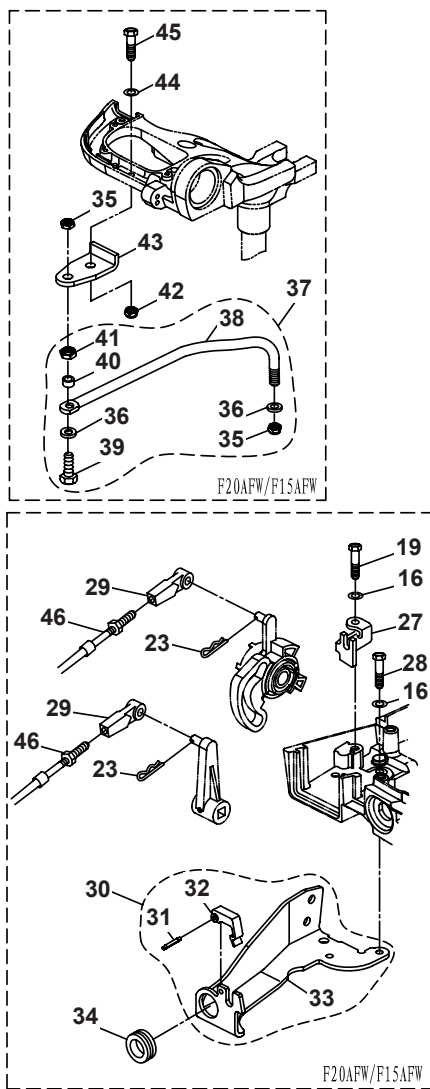


N°	Ref.	Description	Quantity
1	PAF4-04130102	COVER, STARTER HANDLE	1
2	PAF25-05160501	STARTER HANDLE	1
3	PAF25-05160500	STARTER HANDLE ASSY	1
4	PAF25-05160021	DAMPER, STARTER HANDLE	1
5	PAF20-05070003	SEAL	2
6	PAF20-05070000	STARTER ASSY	1
7	PAF20-05070200	TIGHTWIRE, DETENT	1
8	PAF20-05070101	CASING, STARTER	1
9	PAGB/T97.1-6	WASHER 6	5
10	PAGB/T5783-M6x25	BOLT M6x25	3
11	PAF15-07130106	SPRING, DETENT	1
12	PAF15-05000029	SPRING, DETENT TIGHTWIRE	1
13	PAF15-07130105	DETENT	1
14	PAF15-07130107	SPRING, VOLUTE	1
15	PAF15-07130201	WHELL, START-UP	1
16	PAF4-04130013	MEATUS, START ROPE	1
17	PAF15-07130205	ROPE, STARTER Ø5.5x1.8 m	1
18	PABG/T896-8	CIRCLIP 8	1
19	PAF20-05070001	COVER	1
20	PAGB/T845-ST4.2x16	SCREW ST4.2x16	2
21	PAF20-05070002	PIPE Ø5xØ10x200	1
22	PAF15-07130002	CLIP, PLATE	1
23	PAF20-05070004	PLATE, DRIVE	1
24	PAGB/T93-6	SPRING, WASHER 6	1
25	PAGB/T5783-M6x16	BOLT M6x16	2
26	PAF15-07130203	SPRING	1
27	PAF15-07130204	LINK ROD	1
28	PAF15-07130202	PAWL, DRIVE	1
29	PAF20-05000030	FIXATION PLATE	1

BANDEJA / BOTTOM COWLING / BASE CALANDRA



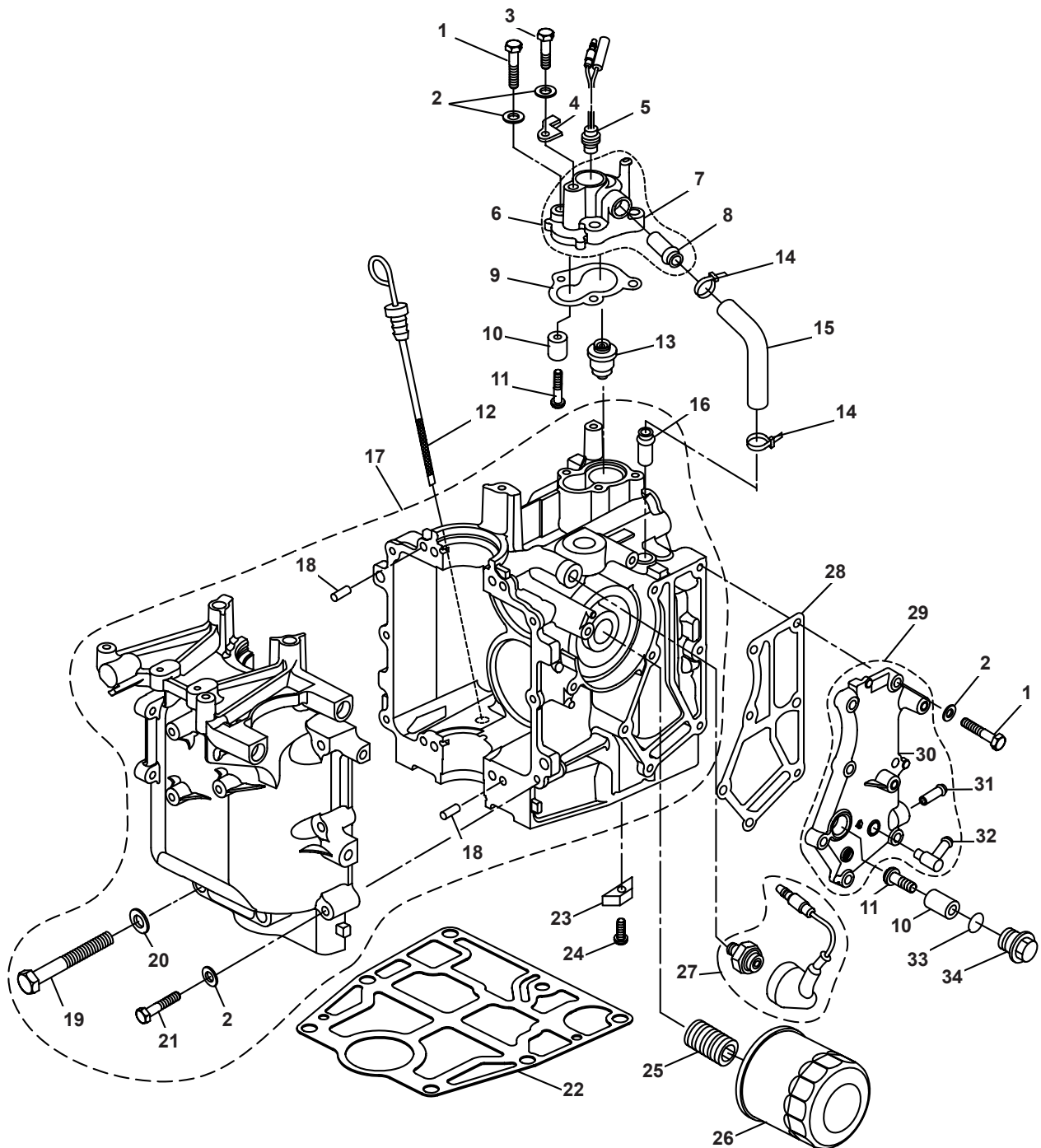
Nº	Ref.	Description	Quantity	Nº	Ref.	Description	Quantity
1	PAF25-03000101W	BODY JAM	1	26	PAF20-03000008	JACKET, GEAR SHIFT LINK ROD	1
2	PAF25-03000102W	SEAL, RUBBER	1	27	PAF20-03000001	BOTTOM COWLING	1
3	PAF25-03000103W	LINK, JAM	1	28	PAF15-05000009	WATER NIPPLE, PLASTIC	1
4	PAF25-03000104W	NUT, JAM	1	29	PAF20-03020000	LOCKING HOOK ASSY, TOP COWLING	1
5	PAF25-03000100W	JAM, ASSY	1	30	PAF20-03020002	BODY, LOCKING HOOK	1
6	PAF20-03000010	SUPPORT PLATE, JAM	1	31	PAF20-03020004	STEEL WIRE, LOCKING HOOK	1
7	PAGB/T84.5-ST5.5x19	SCREW ST5.5x19	2	32	PAF20-03020005	BUSH, LOCKING HOOK	2
8	PAGB/T5783-M6x8	BOLT M6x8	2	33	PAF20-03020001	SEAT, LOCKING HOOK	1
9	PAGB/T97.1-6	WASHER 6	9	34	PAGB/T5783-M6x12	BOLT M6x12	1
10	PAF20-03000007	COVER, COWLING	1	35	PAGB/T91-Ø1.6x12	COTTER PIN Ø1.6x12	1
11	PAF20-03000011	PIPE Ø6xØ11x680	1	36	PAF20-03020003	SHAFT, LOCKING HOOK	1
12	PAGB/T5783-M6x30	BOLT M6x30	2	37	PAGB/T889.1-M6	LOCKING NUT M6	1
13	PAF20-03000005	SEAL, SQUARE	1	38	PAGB/T5783-M6x20	BOLT M6x20	2
14	PAF20-03000004	SEAL, RUBBER	1	39	PAF20-03000002	SEAL	1
15	PAF20-03000006	RUBBER PLUG	1	40	PAF20-00000011	COVER, UPPER CASING	1
16	PAF20-03000101	SEAL	1	41	PAGB/T6170-M6	NUT M6	2
17	PAGB/T818-M6x16	SCREW M6x16	1	42	PAGB/T93-6	SPRING WASHER 6	2
18	PAF20-03000100	PILOT LIGHT ASSY	1	43	PAGB/T818-M6x30	SCREW M6x30	2
19	PAGB/T5783-M6x30	BOLT M6x30	4	44	PAF20-03000007W	RUBBER PLUG, SQUARE	1
20	PAF25-00000004	WASHER	4	45	PAF20-03000005W	RUBBER SEAL, SQUARE	1
21	PAF25-03000006	DAMPER	4	46	PAF20-03000006W	RUBBER PLUG	1
22	PAF25-03000007	BUSH, DAMPER	4	47	PAF25-03000024W	JAM "B"	1
23	PAF20-03000003	JACKET	1				
24	PAF2.6-05000004	SEAL	1				
25	PAF15-05000016	JACKET, RUBBER	1				



N°	Ref.	Description	Quantity
1	PAF25-05000008	LINK ROD	1
2	PAF15-07000016	LINK	1
3	PAGB/T5782-M6x55	BOLT M6x55	1
4	PAGB/T96-6	BIG WASHER 6	1
5	PAF15-07000012	BUSH	1
6	PAF15-07000014	PULLEY, PASSIVITY	1
7	PAF20-05060001	PULLEY, DRIVE	1
8	PAF20-05060002	SPRING	1
9	PAF20-05060101	FIXATION PLATE, ACCELEROGRAPH	1
10	PAGB/T5783-M6x14	BOLT M6x14	2
11	PAF20-05060102	FIXATION PLATE, THROTTLE CABLE	1
12	PAGB/T5783-M6x10	BOLT M6x10	2
13	PAF20-03010001	ROCKER ARM, GEAR SHIFT	1
14	PAGB/T879.1-Ø3x20	PIN Ø3x20	2
15	PAGB/T5783-M6x25	BOLT M6x25	4
16	PAGB/T97.1-6	WASHER 6	10
17	PAF15-05040002	SEAT, GEAR SHIFT ROD	2
18	PAF20-03010100	GEAR SHIFT ASSY	1
19	PAGB/T5783-M6x20	BOLT M6x20	1
20	PAF15-05000031	PLATE, SPRING	1
21	PAF15-05000032	PRESSING PLATE	1
22	PAF20-03010200	ARM, SHIFT ROD	1
23	PAF15-00000012	CLIP Ø1.8	3
24	PAF20-03000009L	SHIFT ROD (L)	1
	PAF20-03000009S	SHIFT ROD (S)	

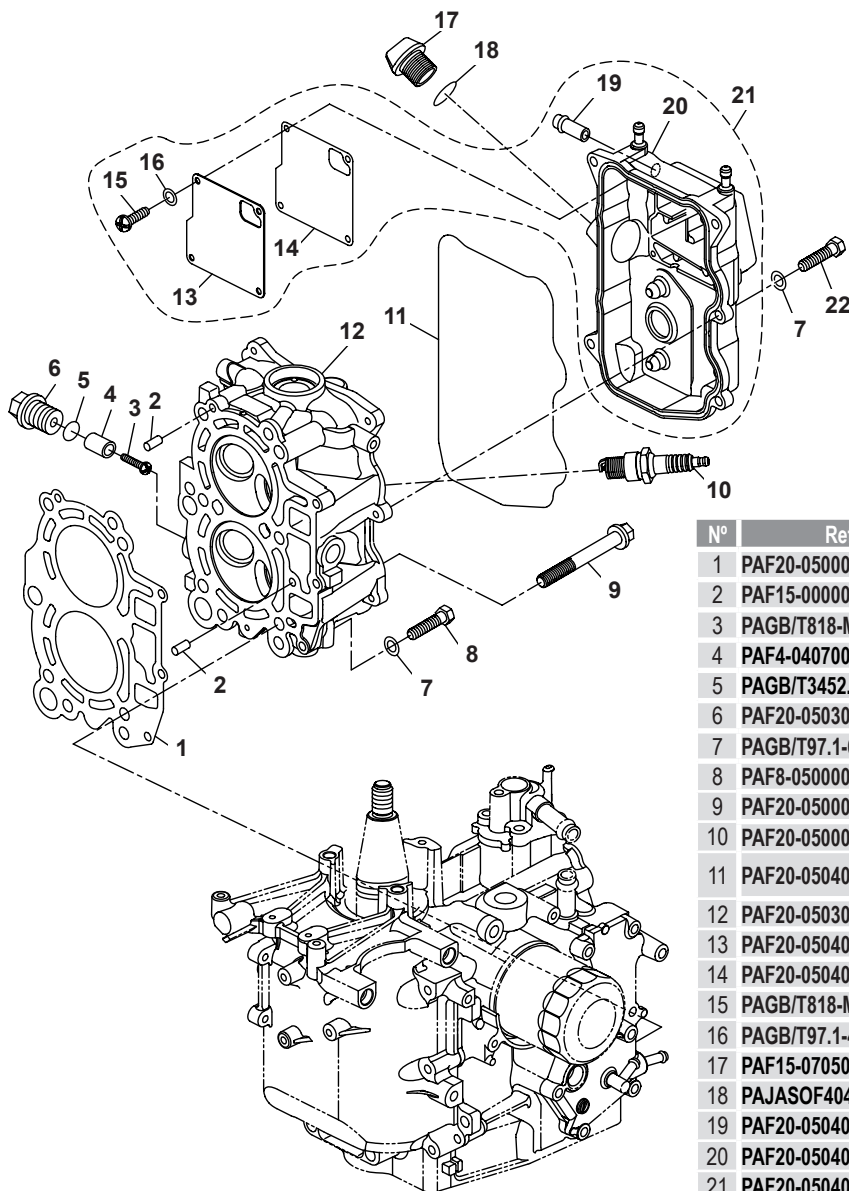
N°	Ref.	Description	Quantity
25	PAF15-05000035	COLUMNAR NUT	1
26	PAGB/T6170-M6	NUT M6	1
27	PAF20-03000012W	FIXATION PLATE "A"	1
28	PAGB/T5783-M6x16	BOLT M6x16	2
29	PAF25-07000005W	LINK "A"	2
30	PAF20-030000200W	FIXATION PLATE "B" ASSY	1
31	PAGB/T879.1-Ø3x12	PIN Ø3x12	1
32	PAF20-030000202W	CLAMP	1
33	PAF20-030000201W	FIXATION PLATE "B"	1
34	PAF20-030000203W	RING, RUBBER	1
35	PAF25-07000006W	LOCKING NUT 3/8"	2
36	PAGB/T97.1-10	WASHER 10	2
37	PAF20-07000100W	STEERING ROD ASSY	1
38	PAF20-07000101W	STEERING ROD	1
39	PAF15-11020002W	BOLT	1
40	PAF25-07000303W	BUSH	1
41	PAF25-07000304W	NUT 3/8"	1
42	PAGB/T889.1-M8	NUT M8	1
43	PAF20-07000102W	LINK PLATE	1
44	PAGB/T97.1-8	WASHER 8	1
45	PAGB/T5783-M8x25	BOLT M8x25	1
46	PAF25-07000200W	CONTROL CABLE ASSY	2

BLOQUE / CRANKCASE / BLOCCO



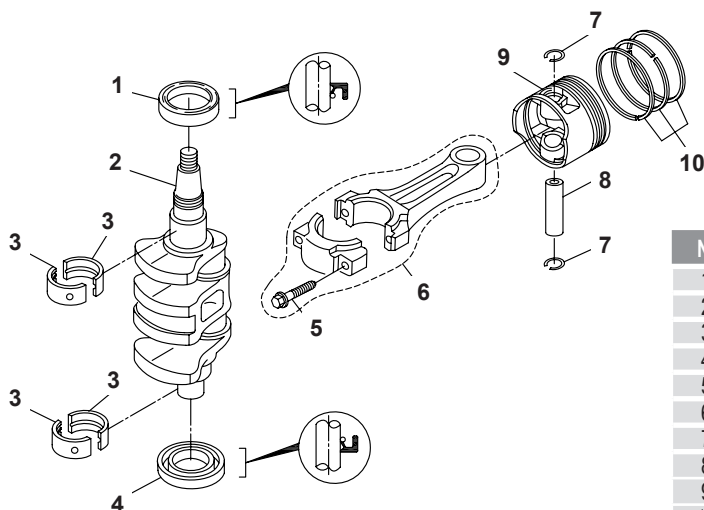
N°	Ref.	Description	Qty	N°	Ref.	Description	Qty
1	PAGB/T5783-M6x25	BOLT M6x25	10	18	PAF15-0000006	PIN Ø6x12	4
2	PAGB/T97.1-6	WASHER 6	17	19	PAT20-06000028	BOLT M8x65	4
3	PAGB/T5783-M6x14	BOLT M6x14	1	20	PAGB/T97.1-8	WASHER 8	4
4	PAF20-05000015	PRESSING PLATE	1	21	PAF20-05010007	BOLT M6x40	6
5	PAT40-05000100	THERMO SWITCH ASSY	1	22	PAF20-00000010	GASKET, CRANKCASE	1
6	PAF20-05000700	THERMOSTAT COVER ASSY	1	23	PAF15-07010026	ANODE	1
7	PAF20-05000701	COVER, THERMOSTAT	1	24	PAGB/T820-M4x12	SCREW M4x12	1
8	PAF20-05040005	GAS, NIPPLE	1	25	PAF15-07010003	BOLT, UNION	1
9	PAF20-05000702	GASKET, THERMOSTAT COVER	1	26	PAF15-07010023	OIL CLEANER	1
10	PAF4-04070003	ANODE	2	27	PAF15-07010100	OIL PRESSURE SWITCH ASSY	1
11	PAGB/T818-M5x25	SCREW M5x25	2	28	PAF20-05000602	GASKET COVER	1
12	PAF20-00000100	PLUG, OIL LEVEL	1	29	PAF20-05000600	EXHAUST OUTER COVER ASSY	1
13	PAT15-04000010	THERMOSTAT	1	30	PAF20-05000601	OUTER COVER, EXHAUST	1
14	PAHT2.5x50	CLAMP	2	31	PAF4-04010102	NIPPLE	1
15	PAF20-05000016	PIPE	1	32	PAF15-04000005	NIPPLE, HOSE	1
16	PAF20-05010002	NIPPLE	1	33	PAGB/T3452.1-Ø13xØ2	O-RING Ø13xØ2	1
17	PAF20-05010000	CRANKCASE ASSY	1	34	PAF20-05030009	BOLT, ANODE	1

CULATA / CYLINDER HEAD / TESTATA



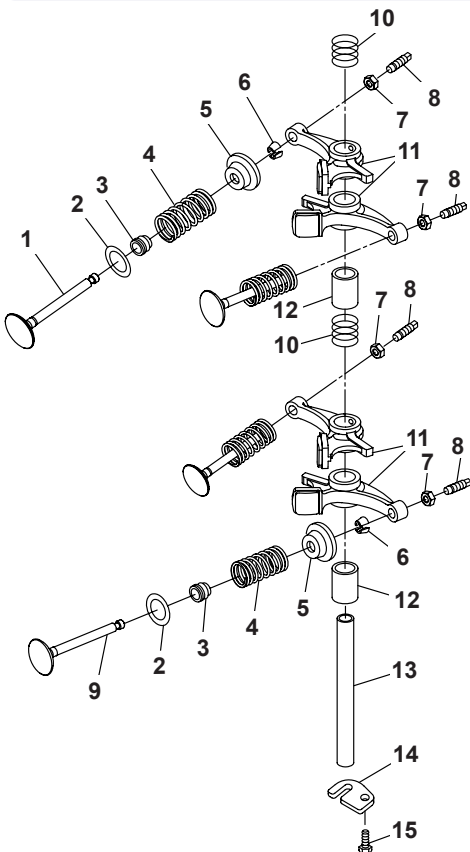
N°	Ref.	Description	Quantity
1	PAF20-05000001	GASKET, CYLINDER HEAD	1
2	PAF15-00000006	PIN 6x12	2
3	PAGB/T818-M5x25	SCREW M5x25	1
4	PAF4-04070003	ANODE	1
5	PAGB/T3452.1-Ø13xØ2	O-RING Ø13xØ2	1
6	PAF20-05030009	BOLT, ANODE	1
7	PAGB/T97.1-6	WASHER 6	8
8	PAF8-05000022	BOLT M6x25	3
9	PAF20-05000002	BOLT, FLANGE	6
10	PAF20-05000037	SPARK PLUG	2
11	PAF20-05040002	SEAL RING, CYLINDER HEAD COVER	1
12	PAF20-05030100	CYLINDER HEAD ASSY	1
13	PAF20-05040003	COVER, BREATHER	1
14	PAF20-05040004	GASKET, BREATHER COVER	1
15	PAGB/T818-M4x10	SCREW M4x10	4
16	PAGB/T97.1-4	WASHER 4	4
17	PAF15-07050004	PLUG	1
18	PAJASOF40431-025	O-RING	1
19	PAF20-05040005	GAS, NIPPLE	1
20	PAF20-05040001	COVER, CYLINDER HEAD	1
21	PAF20-05040000	CYLINDER HEAD COVER ASSY	1
22	PAGB/T5783-M6x20	BOLT M6x20	5

CIGÜEÑAL Y PISTONES / CRANKSHAFT & PISTON ALBERO MOTORE E PISTONE



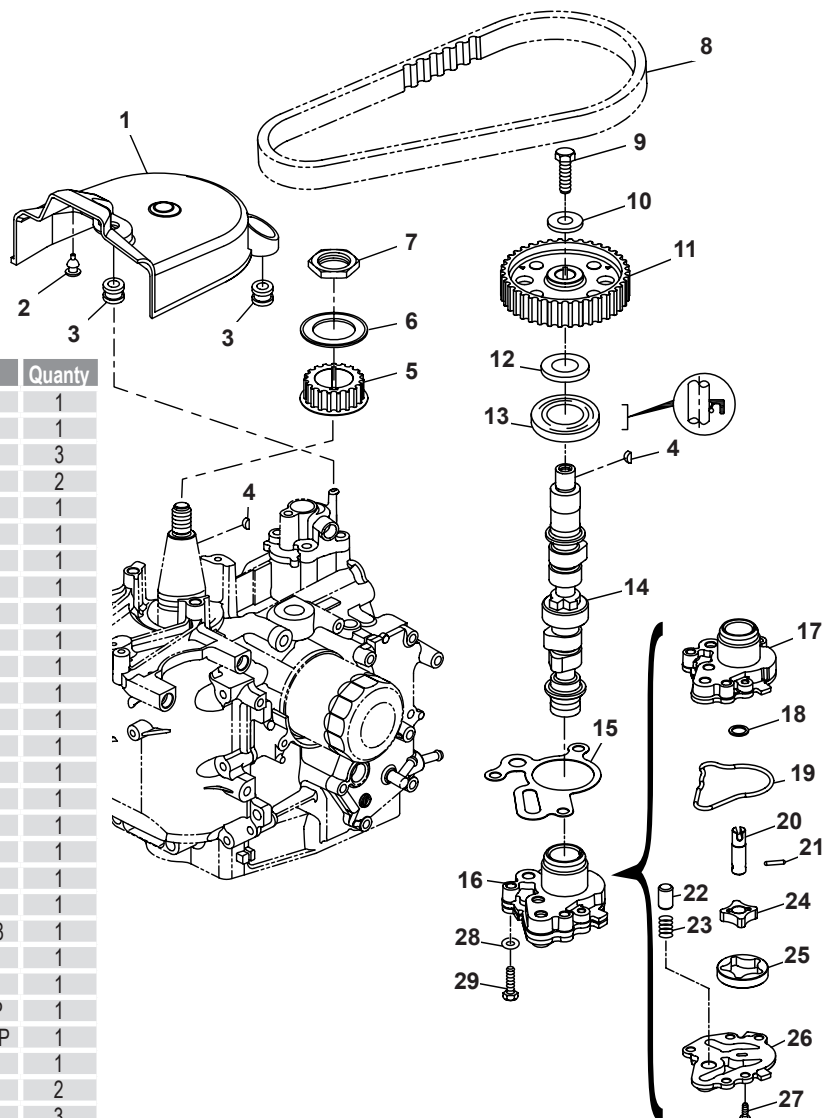
N°	Ref.	Description	Quantity
1	PAF25-05050021	OIL SEAL 37x50x7	1
2	PAF20-05020004	CRANKSHAFT	1
3	PAF20-05010003	PLANE BEARING	4
4	PAF15-07030006	OIL SEAL A25x44x6.5	1
5	PAF20-05020203	BOLT, CONNECTING ROD	4
6	PAF20-05020200	CONNECTING ROD ASSY	2
7	PAF20-05020002	CIRCLIP	4
8	PAF20-05020003	PIN, PISTON	2
9	PAF20-05020001	PISTON	2
10	PAF20-05020100	PISTON RING ASSY	2

VÁLVULA / VALVE / VALVOLA



Nº	Ref.	Description	Quantity
1	PAF20-05030001	VALVE, INTAKE	2
2	PAF20-05030003	SEAT, VALVE SPRING	4
3	PA166F-010003	SEAL, VALVE STEM	4
4	PAF20-05030004	SPRING, VALVE INNER	4
5	PAF15-07040006	RETAINER, VALVE SPRING	4
6	PAF15-07040007	COTTER, VALVE	8
7	PAF15-07040304	NUT, LOCK	4
8	PAF15-07040303	SCREW, VALVE ADJUSTING	4
9	PAF20-05030002	VALVE, EXHAUST	2
10	PAF20-05030007	SPRING, COMPRESSION	2
11	PAF20-05030301	ARM, VALVE ROCKER	4
12	PAF20-05030006	COLLAR	2
13	PAF15-07040015	SHAFT, ROCKER	1
14	PAF20-05030008	PLATE	1
15	PAGB/T5783-M6x12	BOLT M6x12	1

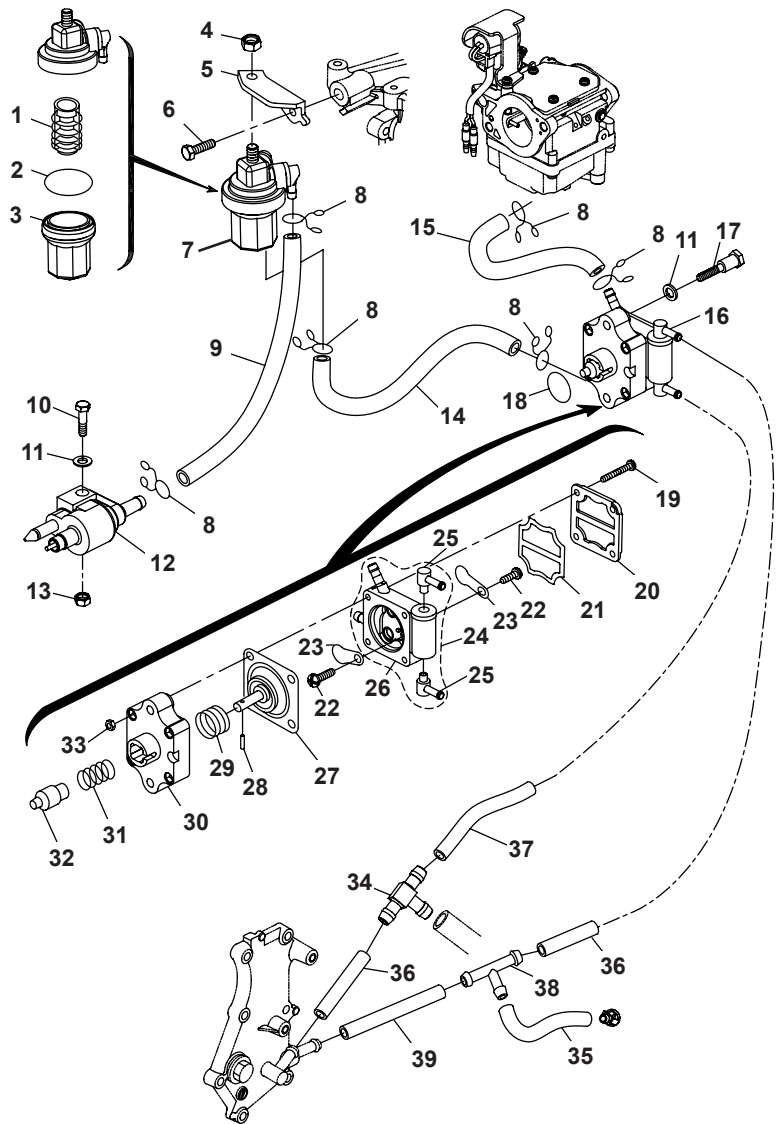
DISTRIBUCIÓN / CAMSHAFT / DISTRIBUZIONE



Nº	Ref.	Description	Quantity
1	PAF20-05000033	COVER, BELT	1
2	PAF20-05000036	PLUG	1
3	PAF20-05000034	DAMPER, BELT COVER	3
4	PAGB/T1099-3x5x13	KEY	2
5	PAF20-05000027	BELT PULLEY, TIMING	1
6	PAF20-05000028	COVER	1
7	PAF20-05000029	NUT	1
8	PAF20-05000003	BELT, TIMING	1
9	PAGB/T5783-M8x25	BOLT M8x25	1
10	PAF20-05030013	WASHER	1
11	PAF20-05030012	BELT PULLEY, DRIVEN	1
12	PAF20-05030011	WASHER LOW	1
13	PAF20-05030005	OIL SEAL	1
14	PAF20-05030200	CAMSHAFT ASSY	1
15	PAF20-05030010	MAT, OIL PUMP	1
16	PAF20-05030400	OIL PUMP ASSY	1
17	PAF20-05030401	BODY, OIL PUMP	1
18	PAF20-05030403	WASHER	1
19	PAF20-05030408	SEAL RING	1
20	PAF20-05030402	SHAFT, OIL PUMP	1
21	PAGB/T3069-Ø3x16.8	ROLLER NEEDLE Ø3x16.8	1
22	PAF15-07110003	PLUG	1
23	PAF20-05030407	SPRING	1
24	PAF20-05030404	INNER ROTOR, OIL PUMP	1
25	PAF20-05030405	OUTER ROTOR, OIL PUMP	1
26	PAF20-05030406	COVER, OIL PUMP	1
27	PAGB/T823-M6x16	SCREW M6x16	2
28	PAGB/T97.1-6	WASHER 6	3
29	PAGB/T5783-M6x35	BOLT M6x35	3

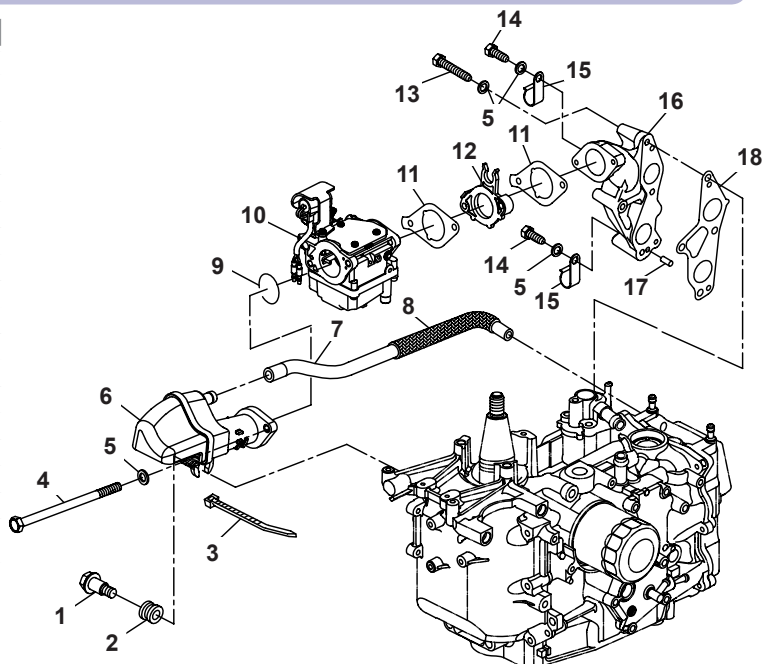
BOMBA COMBUSTIBLE / FUEL SYSTEM / POMPA BENZINA

N°	Ref.	Description	Quantity
1	PAF15-07080001	ELEMENT, FILTER	1
2	PAGB/T3452.1-Ø33x2	O-RING Ø33x2	1
3	PAF15-07080002	FILTER CUP	1
4	PAGB/T6170-M8	NUT M8	1
5	PAF20-05000020	FIXED PLATE	1
6	PAGB/T5783-M8x16	BOLT M8x16	1
7	PAF15-07080000	FILTER ASSY	1
8	PAF4-04000030	CLIP "B", FUEL PIPE	6
9	PAF20-05000013	FUEL PIPE Ø5xØ10x130	1
10	PAGB/T5783-M6x20	BOLT M6x20	1
11	PAGB/T97.1-6	WASHER 6	3
12	PAF4-05000200	FUEL PIPE TIE-IN ASSY	1
13	PAGB/T6170-M6	NUT M6	1
14	PAF20-05000021	FUEL PIPE "B" Ø5xØ10x530	1
15	PAF20-05000035	FUEL PIPE "C" Ø5xØ10x270	1
16	PAF20-05050000	FUEL, PUMP ASSY	1
17	PAF20-05000022	BOLT, FUEL PUMP	2
18	PAGB/T3452.1-Ø20.2x2x2.4	O-RING Ø20.2x2.4	1
19	PAGB/T818-M4x32	SCREW M4x32	4
20	PAF4-04090003	COVER FUEL PUMP	1
21	PAF4-04090004	GASKET	1
22	PAF4-04090011	SCREW M3x6	2
23	PAF4-04090005	UNILATERAL, PLATE	2
24	PAF20-05050100	COVER ASSY, FUEL PUMP	1
25	PAF15-04000005	NIPPLE	2
26	PAF20-05050101	COVER, FUEL PUMP	1
27	PAF15-07140100	DIAPHRAGM ASSY	1
28	PAGB/T309-Ø3x12	ROLLER NEEDLE Ø3x12	1
29	PAF15-07140005	SPRING, DIAPHRAGM	1
30	PAF15-07140001	SEAT, FUEL PUMP	1
31	PAF15-07140004	SPRING, PLUNGER	1
32	PAF15-07140003	PLUNGER	1
33	PAGB/T6170-M4	NUT M4	4
34	PAF20-05000026	JOINT 3	1
35	PAF20-05000025	PIPE C Ø5xØ10x250	1
36	PAF20-05000024	PIPE B Ø5xØ10x120	2
37	PAF20-05000023	PIPE A Ø5xØ10x85	1
38	PAF15-05000011	JOINT 3	1
39	PAF20-05000042	PIPE D Ø5xØ10x55	1

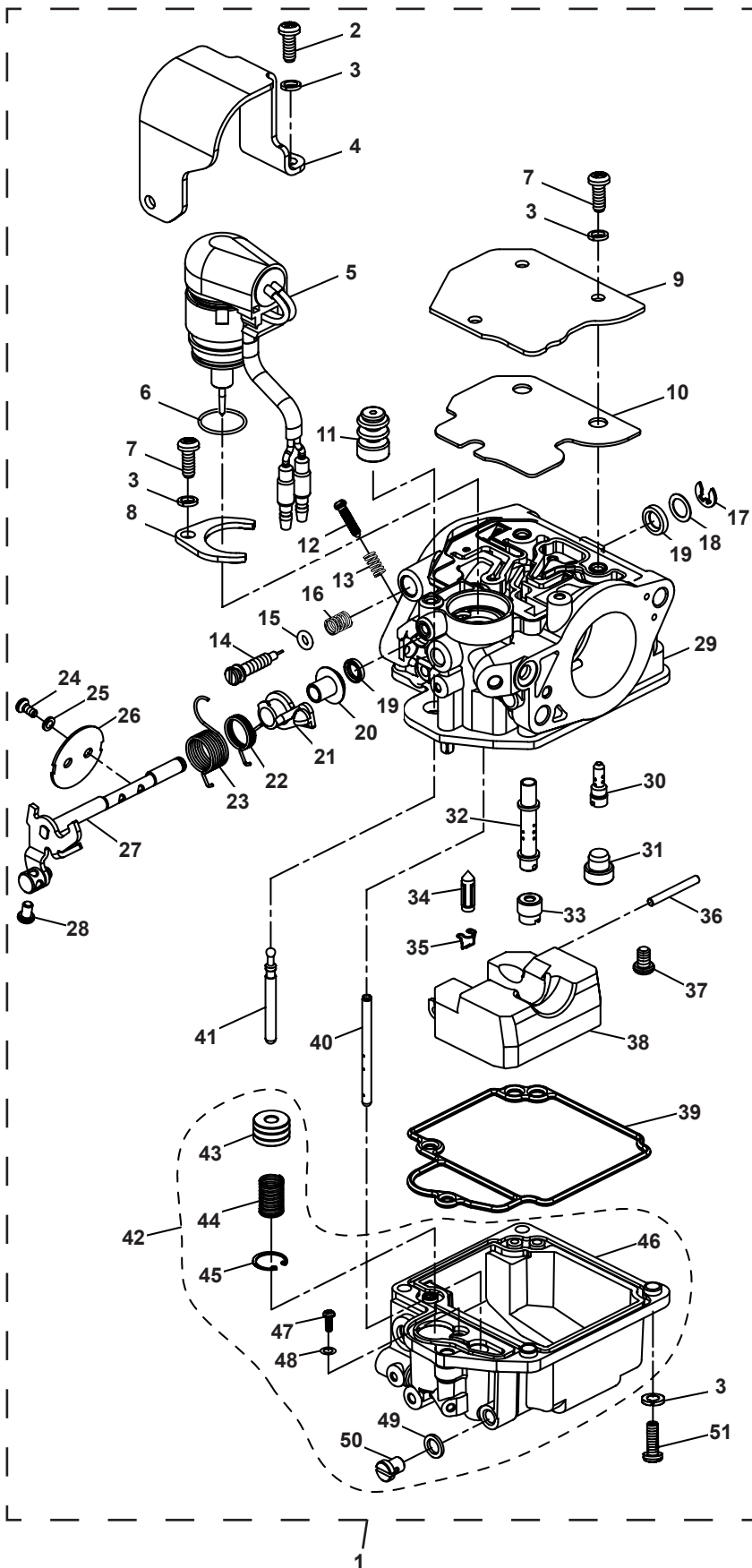


ADMISIÓN / INTAKE / ASPIRAZIONE

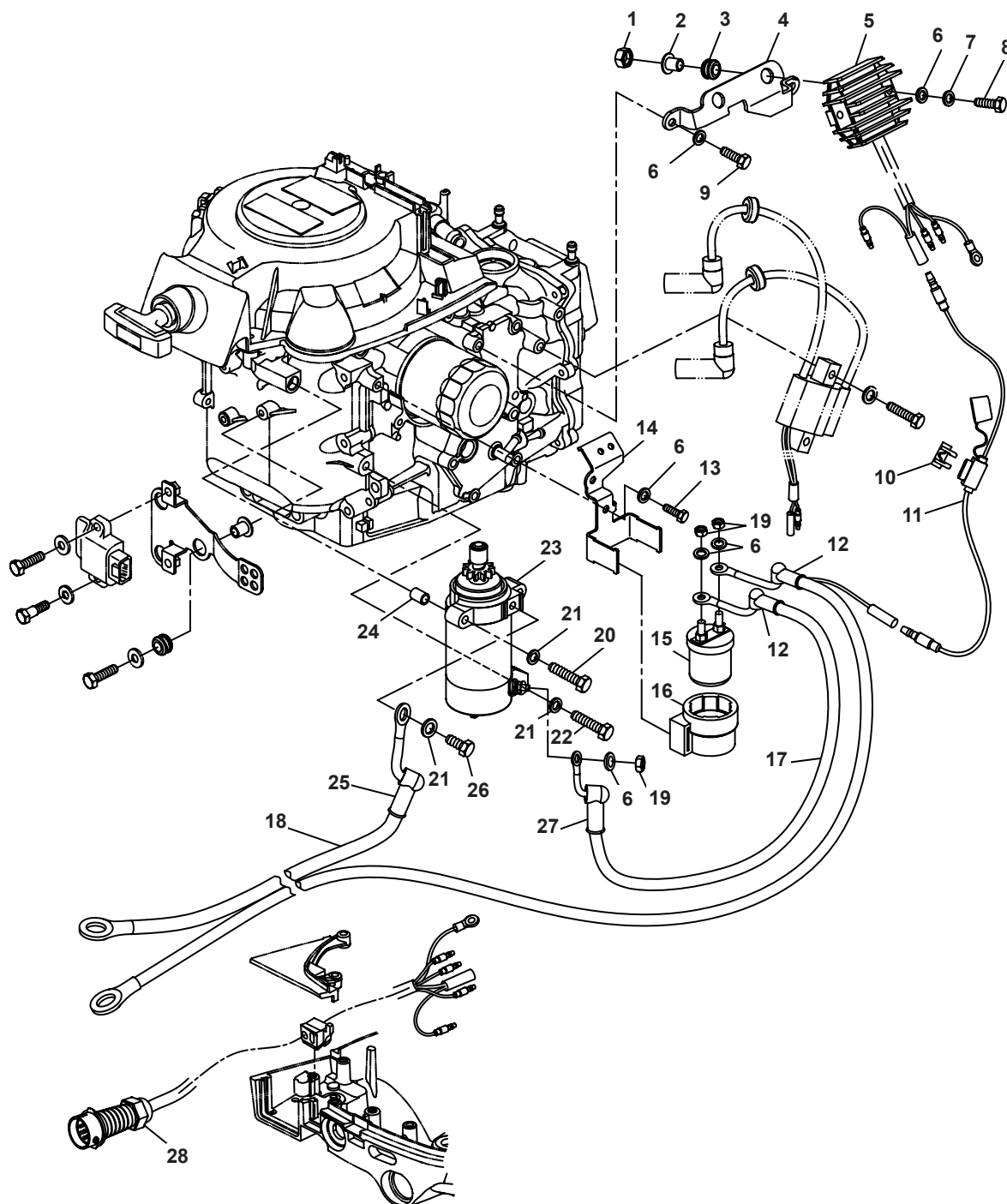
N°	Ref.	Description	Quantity
1	PAF20-05000012	BOLT, INTAKE SILENCER	1
2	PAF20-05000011	DAMPER, INTAKE SILENCER	1
3	PAHT4.2x200	CABLE TIES 4, 2x200	1
4	PAGB/T5782-M6x100	BOLT M6x100	2
5	PAGB/T97.1-6	WASHER 6	8
6	PAF20-05000800	INTAKE SILENCER ASSY	1
7	PAF20-05000031	PIPE, RUBER	1
8	PAF20-05000032	JACKET, PIPE	1
9	PAGB/T3452.1-Ø35xØ2	O-RING Ø35xØ2	1
10	PAF20-05080000	CARBURETOR ASSY	1
11	PAF20-05000008	GASKET, CARBURETOR	2
12	PAF20-05000009	GASKET	1
13	PAGB/T5783-M6x55	BOLT M6x55	4
14	PAGB/T5783-M6x12	BOLT M6x12	2
15	PAT36-04000023	CLAMP	2
16	PAF20-05000007	MANIFOLD, INTAKE	1
17	PAF25-05050016	PIN	2
18	PAF20-05000006	GASKET, INTAKE MANIFOLD	1



CARBURADOR / CARBURETOR ASSY / CARBURATORE

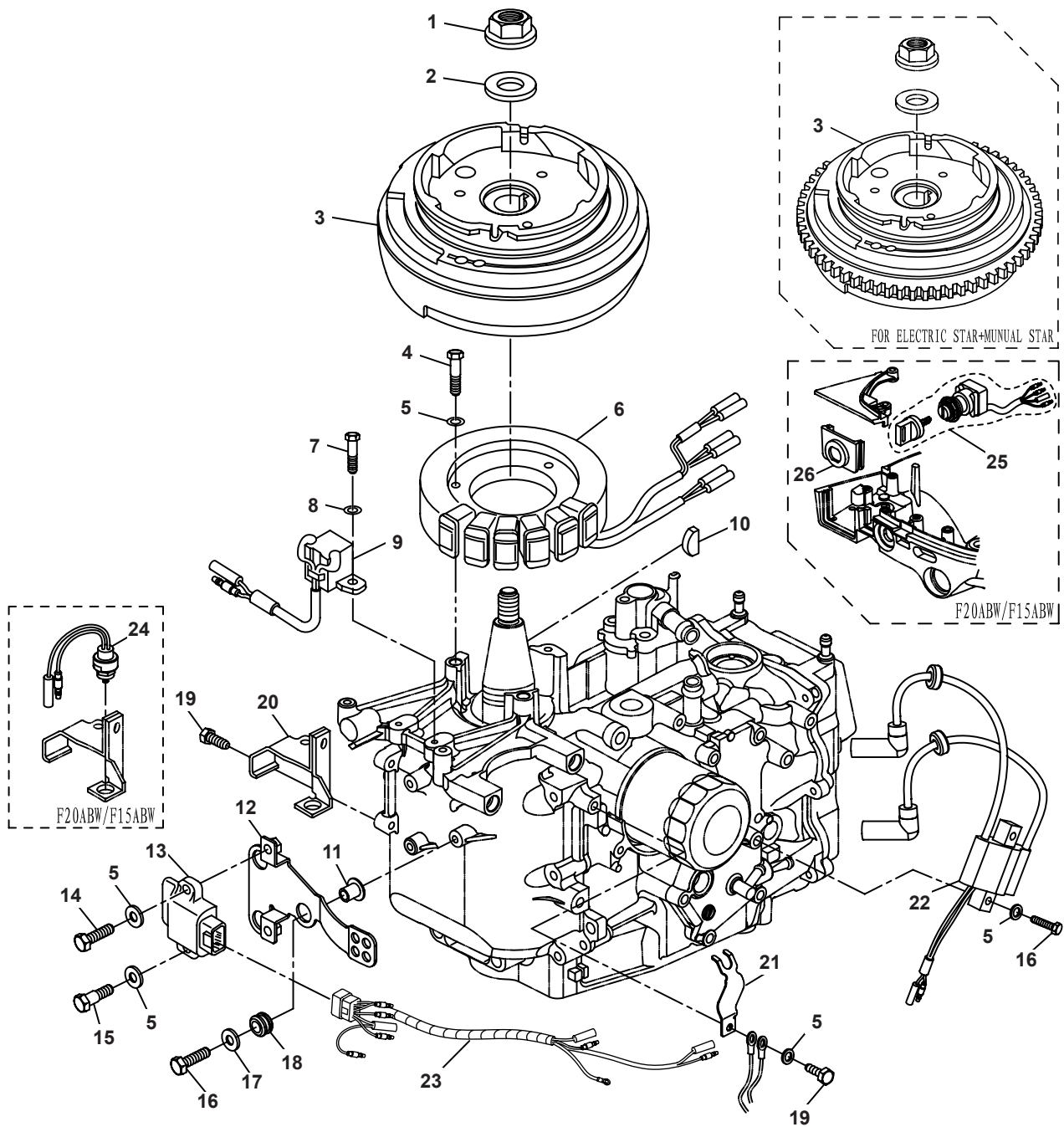


Nº	Ref.	Description	Quantity
1	PAF20-05080000	CARBURETOR ASSY	1
2	PAGB/T818-M4x12	SCREW M4x12	2
3	PAGB/93-4	SPRING WASHER	10
4	PAF20-05080026	COVER	1
5	PAF20-05080200	VALVE ASSY, ELECTRICAL	1
6	PAF20-05080201	O-RING	1
7	PAFBG/T818-M4x10	SCREW M4x10	4
8	PAF20-05080016	PLATE, VALVE	1
9	PAF20-05080003	PLATE	1
10	PAF20-05080002	GASKET	1
11	PAF20-05080004	COVER, RUBBER	1
12	PAF20-05080011	SCREW TOP	1
13	PAF20-05080012	SPRING	1
14	PAF20-05080013	SCREW, AIR ADJUST	1
15	PAF20-05080014	O-RING	1
16	PAF20-05080015	SPRING	1
17	PAGB/T896-4	CIRCLIP 4	1
18	PAF20-05080027	WASHER	1
19	PAF20-05080006	GASKET	2
20	PAF20-05080008	BUSH	1
21	PAF20-05080009	SWING LINK, VALVE	1
22	PAF20-05080010	TWIST SPRING	1
23	PAF20-05080005	TWIST SPRING	1
24	PAGB/T818-M3x6	SCREW M3x6	2
25	PAGB/T93-3	SPRING WASHER 3	2
26	PAF20-05080007	APRON, ACCELERATOR SWING LING, ACCELERATOR	1
27	PAF20-05080100	SWING LING, ACCELERATOR	1
28	PAGB/T818-M4x6	SCREW M4x6	1
29	PAF20-05080001	CARBURETOR	1
30	PAF20-05080022	JET, AIR SLOW	1
31	PAF20-05080023	CAP, RUBBER	1
32	PAF20-05080020	JER, MAIN	1
33	PAF20-05080021	NOZZLE MAIN	1
34	PAF20-05080017	NEEDLE VALVE	1
35	PAF20-05080025	CLIP, NEEDLE VALVE	1
36	PAF20-05080019	PIN, FLOAT	1
37	PAGB/T818-M3x8	SCREW M3x8	1
38	PAF20-05080018	FLOAT	1
39	PAF20-05080024	GASKET, FLOAT CHAMBER	1
40	PAF20-05080028	JET	1
41	PAF20-05080004	ROD	1
42	PAF20-05080300	FLOAT CHAMBER ASSY	1
43	PAF20-05080302	PLUNGER	1
44	PAF20-05080301	SPRING, PLUNGER	1
45	PAGB/T893.1-8	CLIP 8	1
46	PAF20-05080305	FLOAT CHAMBER	1
47	PAGB/T818-M2x4	SCREW M2x4	1
48	PAGB/T96-2	BIG WASHER 2	1
49	PAF20-05080304	WASHER	1
50	PAF20-05080303	SCREW, OIL OUTLET	1
51	PAGB/T818-M4x16	SCREW M4x16	4

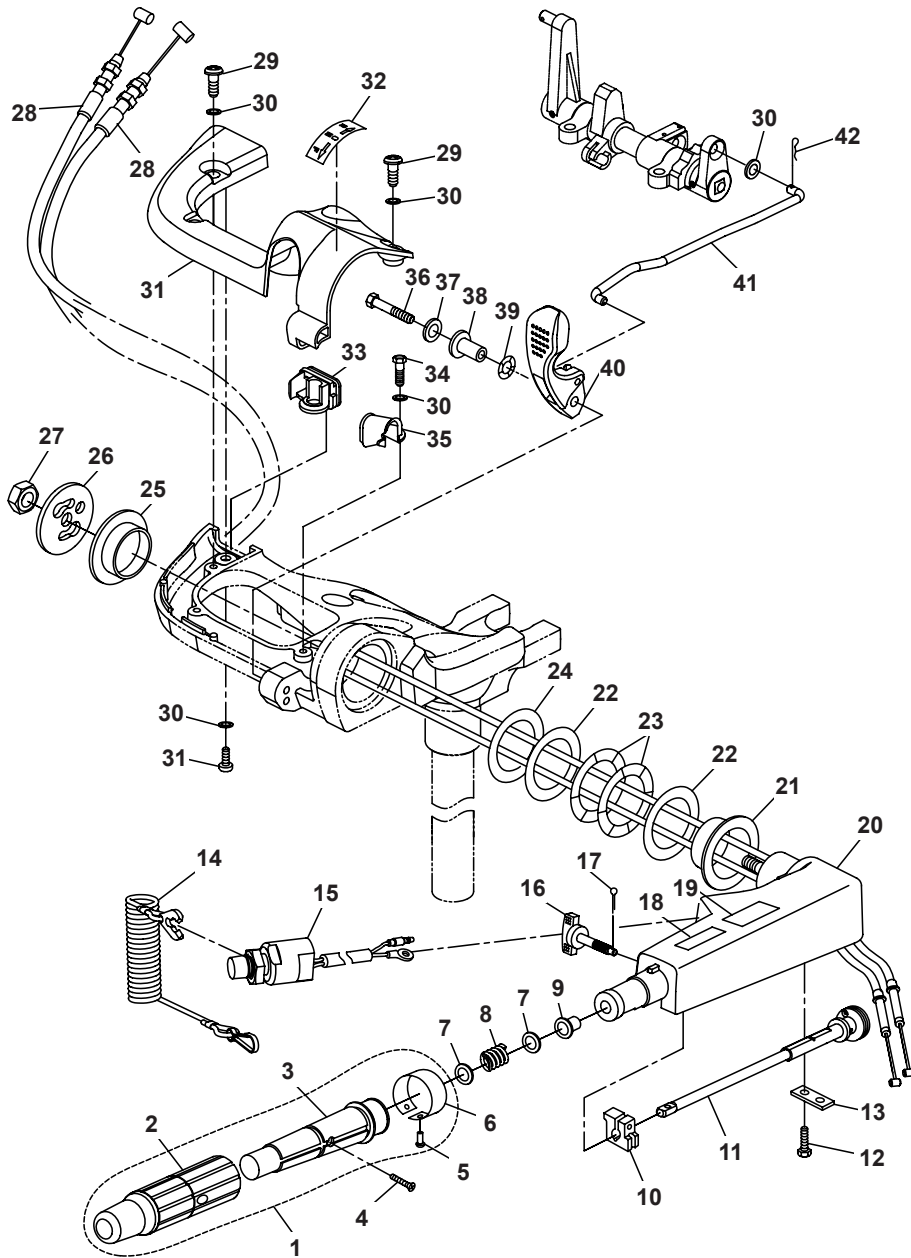


N°	Ref.	Description	Quantity	N°	Ref.	Description	Quantity
1	PAGB/T6170-M6	NUT M6	2	15	PAF15-07150300W	RELAY, MOTOR	1
2	PAF20-05000903W	BUSH	2	16	PAF25-05170301W	RELAY, JACKET	1
3	PAF20-05000902W	DAMPER, BUSH	2	17	PAF25-05170400W	CONNECTION LINE, MOTOR	1
4	PAF20-05000901W	PLATE, RECTIFIER	1	18	PAF15-07150200W	CONNECTION LINE, POWER	2
5	PAT85-05030300	RECTIFIER ASSY	1	19	PAGB/T6170-M6	NUT (COPPER)	3
6	PAGB/T97.1-6	WASHER 6	7	20	PAGB/T5782-M8x45	BOLT M8x45	2
7	PAGB/T93-6	SPRING, WASHER 6	2	21	PAGB/T97.1-8	WASHER 8	4
8	PAGB/T5783-M6x30	BOLT M6x30	2	22	PAGB/T5782-M8x35	BOLT M8x35	1
9	PAGB/T5783-M6x16	BOLT M6x16	2	23	PAF20-05000900W	STARTING MOTOR	1
10	PAF15-07150001W	FUSE WIRE (20A)	1	24	PAF20-05000038	PIN Ø11xØ8.5x11	2
11	PAF25-05090100W	FUSE ASSY	1	25	PAF25-05170201W	JACKET "A", LINKING WIRE	1
12	PAF15-07150501W	COVERING, POWER SOURCE LINE	2	26	PAGB/T5783-M8x12	BOLT M8x12	1
13	PAGB/T5783-M6x12	BOLT M6x12	1	27	PAF25-05170202W	JACKET "B", LINKING WIRE	1
14	PAF20-05000039W	SUPPORTING STRUCTURE, RELAY	1	28	PAF15-07150400W	CDI, CABLE ASSY	1

ELECTRICIDAD 2 / ELECTRICAL 2 / PARTE ELETTRICA 2

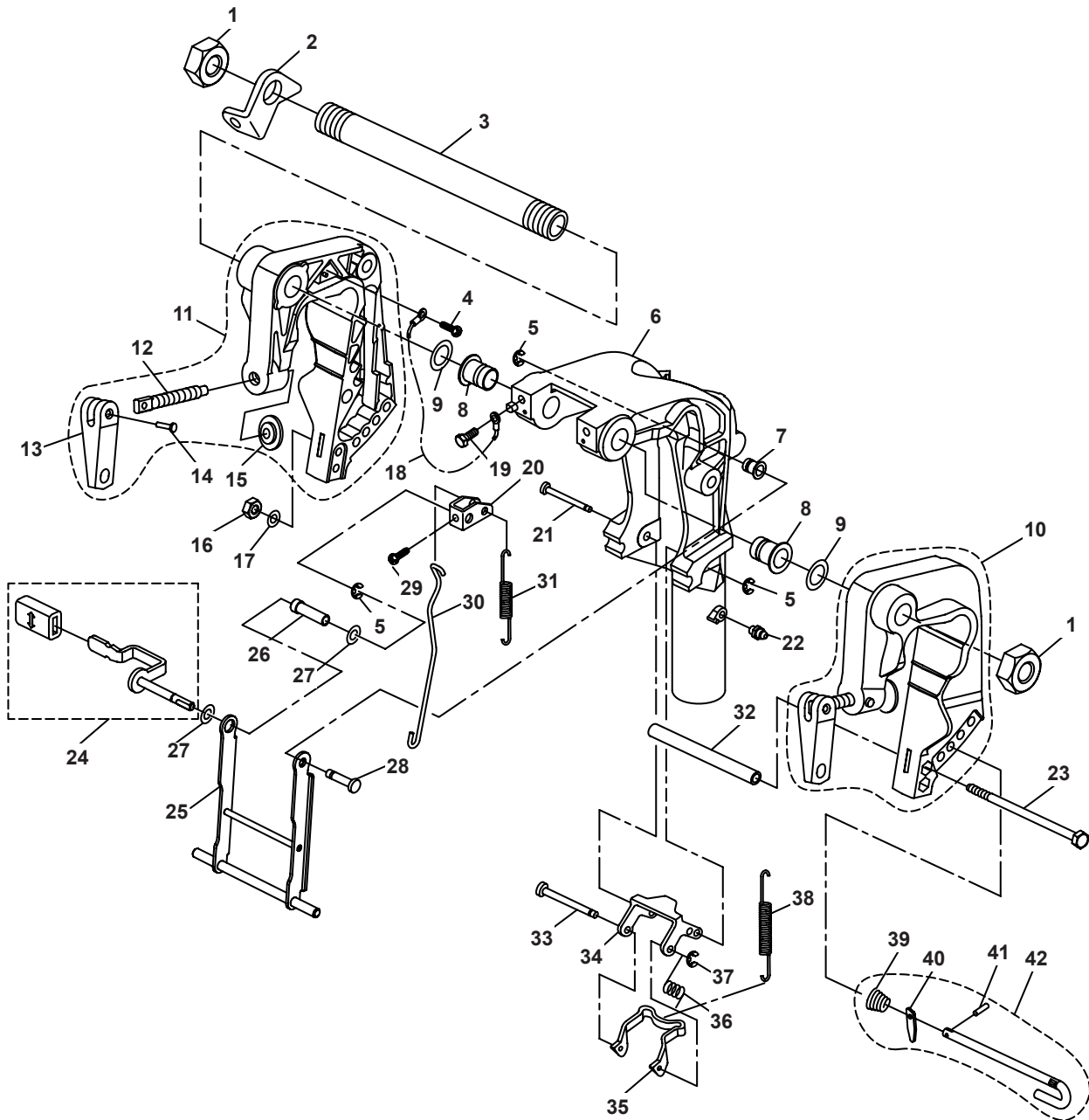


N°	Ref.	Description	Quantity	N°	Ref.	Description	Quantity
1	PAF15-07000006	NUT, FLYWHEEL	1	13	PAF20-05000300	CDI UNIT ASSY	1
2	PAF15-07000005	WASHER, FLYWHEEL NUT	1	14	PAGB/T5783-M6x20	BOLT M6x20	1
3	PAF20-05000500	FLYWHEEL ASSY	1	15	PAF20-05000004	BOLT	1
	PAF20-05000500W	FLYWHEEL ASSY (ELECTRICAL)	1	16	PAGB/T5783-M6x25	BOLT M6x25	5
4	PAGB/T5783-M6x30	BOLT M6x30	3	17	PAGB/T96-6	BIG WASHER 6	3
5	PAGB/T97.1-6	WASHER 6	8	18	PAT40-05000702W	DAMPER "A"	3
6	PAF20-05000200	COIL ASSY	1	19	PAGB/T5783-M6x12	BOLT M6x12	3
7	PAGB/T5783-M5x12	BOLT M5x12	2	20	PAF20-05000040W	PLATE	1
8	PAGB/T97.1-5	WASHER 5	2	21	PAF20-05000041	PLATE	1
9	PAF20-05000100	PULSER COIL ASSY	1	22	PAF20-05000400	IGNITION COIL ASSY	1
10	PAF15-07000004	KEY FLYWHEEL	1	23	PAF20-05000301	CDI CABLE ASSY	1
11	PAT40-05000704W	BUSH	3	24	PAT20-06000037W	NEUTRAL SWITCH ASSY	1
12	PAF20-05000017	MOUNTED PLATE, C.D.I. UNIT ASSY	1	25	PAF15-05000100BW	START SWITCH	1
				26	PAF20-03000008BW	SEAT, START SWITCH	

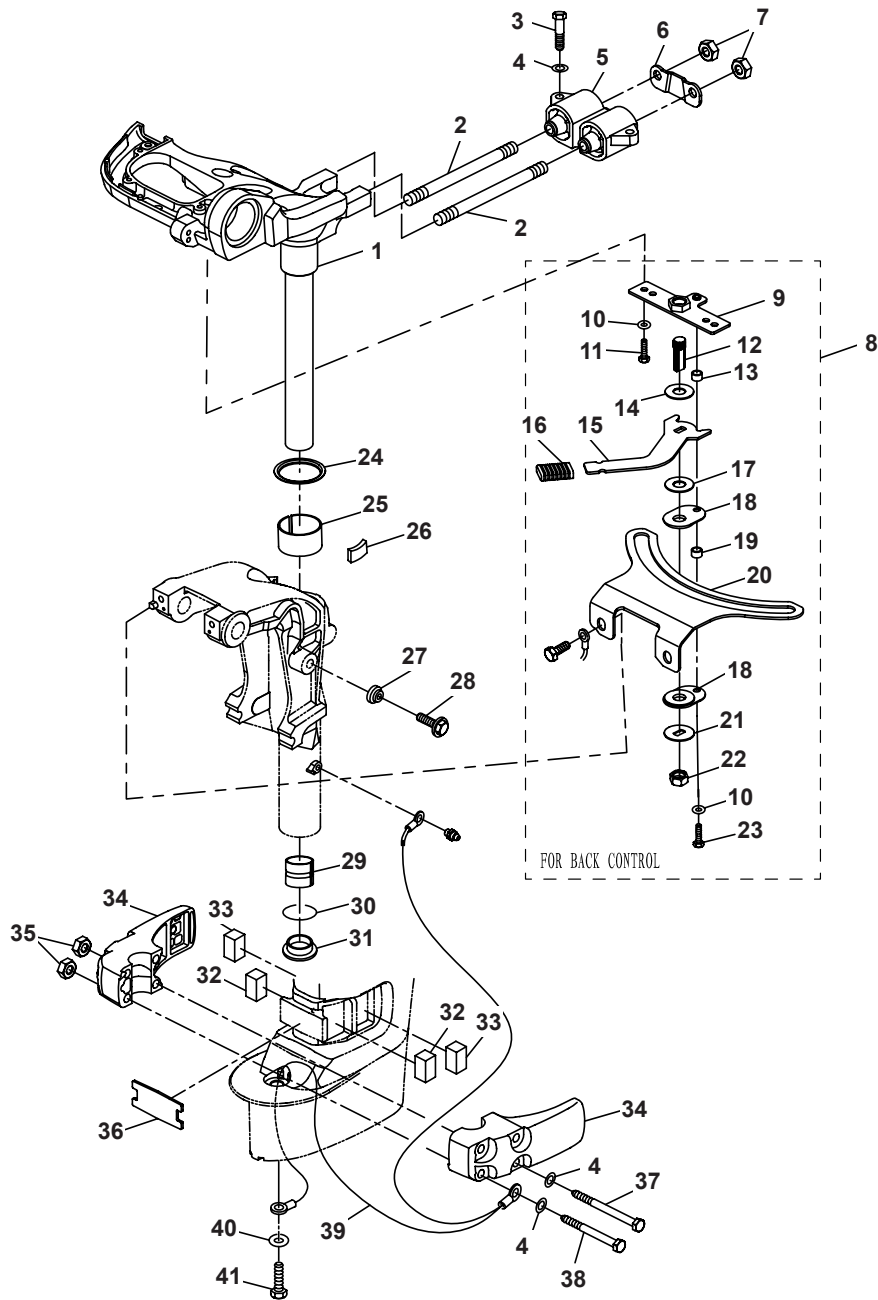


Nº	Ref.	Description	Quantity	Nº	Ref.	Description	Quantity
1	PAF20-01020200	STEERING HANDLE ASSY	1	23	PAF15-01000009	WASHER, WAVE	2
2	PAF4-01090302	RUBBER, STEERING HANDLE	1	24	PAF15-01000012	WASHER, NYLON	1
3	PAF20-01020201	GRIP, STEERING HANDLE	1	25	PAF15-01000011	BUSH, HANDLE (LOW)	1
4	PAGB/T820-M5x25	SCREW M5x25	1	26	PAF15-01000013	COVER PLATE, STEERING HANDLE	1
5	PAGB/T827-Ø2x5	RIVET Ø2x5	1	27	PAGB/T889.2-M10x1.25	LOCKING NUT M10x1.25	1
6	PAF4-01090303	INDICATOR THROTTLE	1	28	PAF20-01020100	THROTTLE CABLE ASSY	2
7	PAGB/T848-10	SMALL WASHER 10	2	29	PAGB/T823-M6x16	SCREW M6x16	5
8	PAF4-01090007	SPRING	1	30	PAGB/T97.1-6	WASHER 6	7
9	PAF4-01090006	BUSHING	1	31	PAF20-01000003	COVER, STEERING BRACKET	1
10	PAF4-01090003	FRICTION	1	32	PAF8-08000010	MARK, GEAR SHIFT	1
11	PAF15-01030100	LEVER, THROTTLE	1	33	PAF20-01000001	JACKET, RUBBER	1
12	PAGB/T5783-M6x20	BOLT M6x20	2	34	PAGB/T5783-M6x14	BOLT M6x14	1
13	PAF15-01030005	STAY	1	35	PAF20-01000002	PRESSING PLATE	1
14	PAF4-01090401	STOPPER, HANG ROPE ASSY	1	36	PAGB/T5783-M6x25	BOLT M6x25	1
15	PAT40-01020101	ENGINE STOP SWITCH ASSY	1	37	PAF25-00000004	BIG WASHER 6	1
16	PAF15-01030200	BOLT	1	38	PAF15-00000008	BUSHING	1
17	PAGB/T91-1.6x12	COTTER PIN 1.6x12	1	39	PAF15-00000009	WASHER, WAVE	1
18	PAF4-08000014	MARK 1	1	40	PAF20-00000008	HANDLE, GEAR SHIFT	1
19	PAF4-08000016	MARK 3	1	41	PAF20-00000009	ROD, CONNECTING	1
20	PAF15-01030001	STEERING HANDLE	1	42	PAF15-00000012	COLLET Ø1.8	1
21	PAF15-01000007	BUSH, HANDLE (HIGH)	1				
22	PAF15-01000008	WASHER	2				

SOPORTE MOTOR 1 / BRACKET 1 / SUPPORTO MOTORE 1

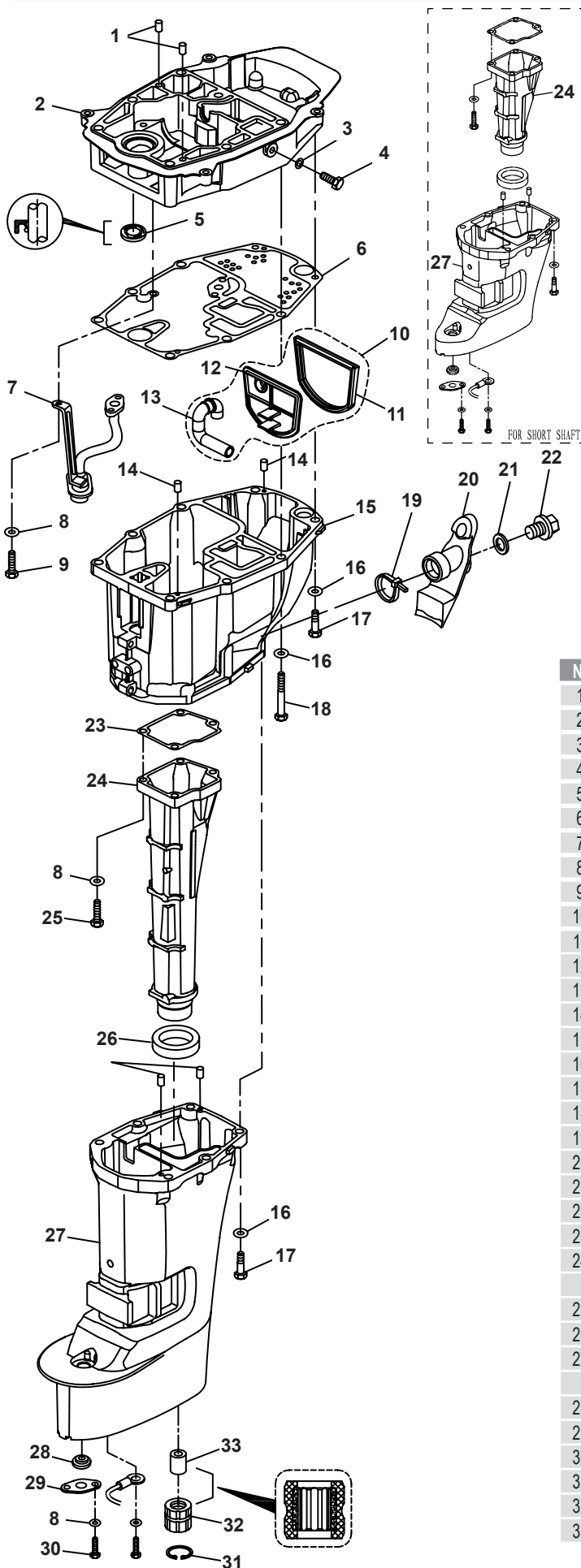


Nº	Ref.	Description	Qty	Nº	Ref.	Description	Qty
1	PAF15-01010007	NUT	2	22	PAJB/T9740.1-M6	OILER M6	1
2	PAF15-01010003	PLATE	1	23	PAGB/T5782-M6x145	BOLT M6x145	1
3	PAF15-01010001	BOLT, CLAMP BRACKET	1	24	PAF15-01010305	TILT CLAMP HANDLE ASSY	1
4	PAGB/T818-M6x8	SCREW M6x8	1	25	PAF15-01010313A	SUPPORT ASSY	1
5	PAGB/T896-5	CIRCLIP 5	3	26	PAF15-01010308	BUSH	1
6	PAF15-01010301L	BRACKET, ROTARY L	1	27	PAF15-01010309	WASHER, NYLON	2
	PAF15-01010301S	BRACKET, ROTARY S		28	PAF15-01010312A	SHAFT SUPPORT	1
7	PAF15-01010311	BUSH, NYLON	1	29	PAGB/T818-M5x6	SCREW M5x6	1
8	PAF15-01010302	BUSH, ROTARY BRACKET	2	30	PAF15-01010307A	LINK ROD	1
9	PAF15-01010002	WASHER, NYLON	2	31	PAF15-01010304	SPRING	1
10	PAF15-01010100	LEFT BRACKET ASSY	1	32	PAF15-01010006	BUSH	1
11	PAF15-01010200	RIGHT BRACKET ASSY	1	33	PAF15-01010317-3	SHORT SHAFT, LOCK ANGLE	1
12	PAF15-01010102	SCREW, CLAMP	2	34	PAF15-01010317-2	BRACKET, LOCK ANGLE	1
13	PAF4-01010004	HANDLE	2	35	PAF15-01010317-1	INNER BRACKET	1
14	PAF4-01010005	RIVET, CLAMP HANDLE	2	36	PAF15-01010315	SPRING, TORSION	1
15	PAF4-01010003	CLAMP, PLATE	2	37	PAGB/T896-4	CIRCLIP 4	1
16	PAGB/T6170-M6	NUT M6	1	38	PAF15-01010314A	SPRING, TENSION	1
17	PAGB/T97.1-6	WASHER 6	1	39	PAF15-01010402	CONICAL SPRING	1
18	PAF15-01010202	TIGHTWIRE, EARTHING	1	40	PAF4-01050003	NOG, PREVENTED UNLOCK	1
19	PAGB/T5783-M8x12	BOLT M8x12	2	41	PAGB/T879.1-Ø3x8	PIN, SPRING Ø3X8	1
20	PAF15-01010306	LEVER, ANGLE ORIENTATION	1	42	PAF15-01010400	LIMITATIVE ROD ASSY	1
21	PAF15-01010316	LONG SHAFT, LOCK ANGLE	1				

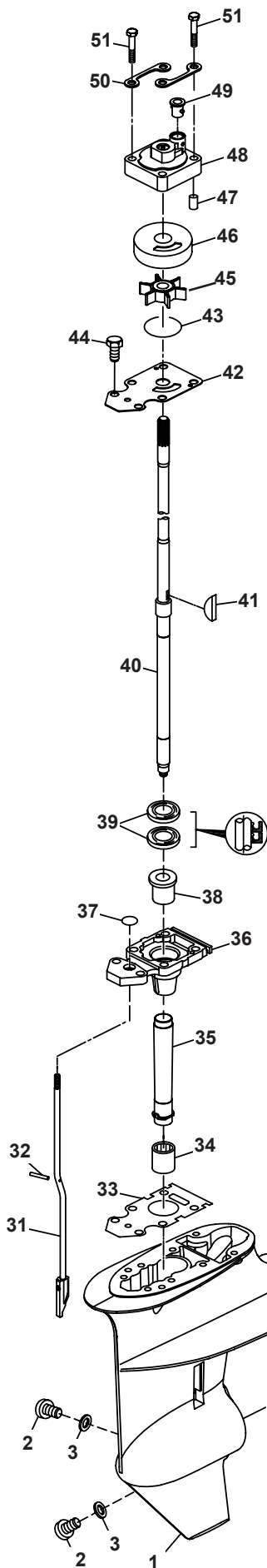


N°	Ref.	Description	Qty	N°	Ref.	Description	Qty
1	PAF20-01010000	STEERING BRACKET ASSY (L)	1	21	PAF20-01030003	WASHER "B"	1
	PAF20-01010000S	STEERING BRACKET ASSY (S)		22	PAGB/T889.1-M10x1.25	LOCKING NUT M10x1.25	1
2	PAGB/T900-M10x1.25x82	BOLT M10x1.25x82	2	23	PAGB/T5783-M5x20	BOLT M5x20	1
3	PAGB/T5783-M8x30	BOLT M8x30	2	24	PAF15-01000003	WASHER, HIGHT	1
4	PAGB/T97.1-8	WASHER 8	7	25	PAF15-01000001	BUSH, HIGHT	1
5	PAF20-02020200	DAMPER ASSY	1	26	PAF15-01000002	LOCKING BLOCK	1
6	PAF20-00000005	PLATE	1	27	PAF15-01010303	SEAL, LOCKING BOLT	1
7	PAGB/T6170-M10x1.25	NUT M10x1.25	2	28	PAGB/T5787-M6x20	BOLT, FLANGE	1
8	PAF20-01030000	STEERING FRICTION ASSY	1	29	PAF15-01000004	BUSH, LOW	1
9	PAF20-01030001	FIXED PLATE "A"	1	30	PAGB/T3452.1-Ø30x3.55	O-RING Ø30x3.55	1
10	PAGB/T97.1-5	WASHER 5	3	31	PAF15-01000006	WASHER, LOW	1
11	PAGB/T5783-M5x16	BOLT M5x16	3	32	PAF20-00000002	DAMPER BLOCK "A"	2
12	PAF20-01030002	SCREW, ADJUSTING	1	33	PAF20-00000003	DAMPER BLOCK "B"	2
13	PAF20-01030008	BUSH "A"	1	34	PAF20-00000001	COVER, MOUNT DAMPER	2
14	PAF20-01030011	WASHER "A"	1	35	PAGB/T6177-M8	NUT M8, FLANGE	4
15	PAF20-01030004	HANDLE, ADJUSTING	1	36	PAF20-00000004	DAMPER BLOCK, FRONT	1
16	PAF20-01030005	JACKET, HANDLE	1	37	PAGB/T5782-M8x105	BOLT M8x105	2
17	PAF20-01030006	WASHER, NYLON	1	38	PAGB/T5782-M8x85	BOLT M8x85	2
18	PAF20-01030007	FRICTION	2	39	PAF20-02000002	WIRE, LEAD	1
19	PAF20-01030010	BUSH "B"	1	40	PAGB/T97.1-6	WASHER 6	1
20	PAF20-01030009	FIXED PLATE "B"	1	41	PAGB/T5783-M6x10	BOLT M6x10	1

COLA SUPERIOR / UPPER CASING / PARTE ALTA PIEDE

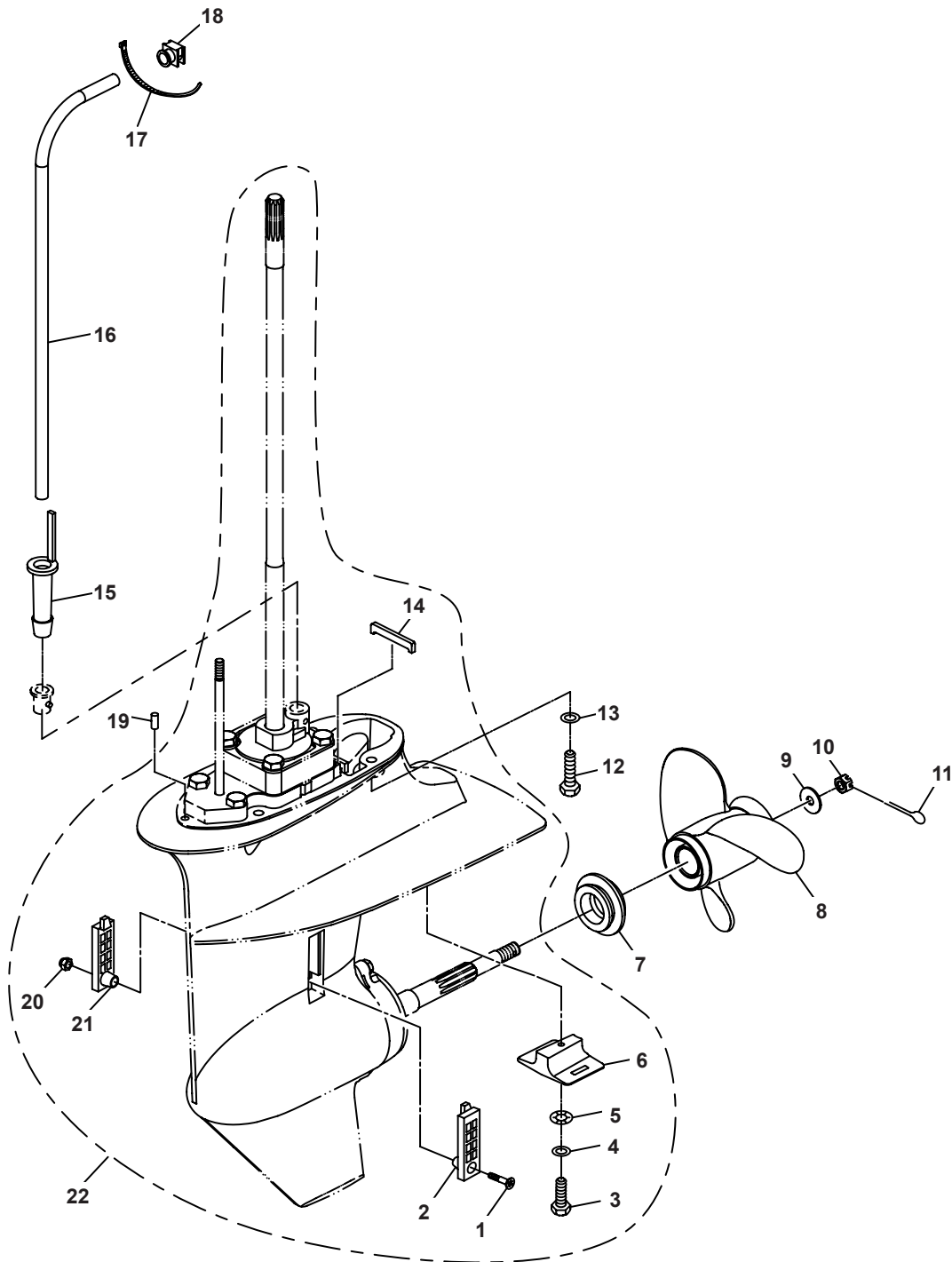


N°	Ref.	Description	Quantity
1	PAF15-00000006	PIN Ø6x12	2
2	PAF20-02020001	SEAT, OUTLET MANIFOLD	1
3	PAF4-04000006	WASHER	1
4	PAGB/T5783-M8x14	BOLT M8x14	1
5	PAF15-04000008	OIL SEAL 13x25x6	1
6	PAF20-02020002	GASKET	1
7	PAF20-02020100	OIL STRAINER ASSY	1
8	PAGB/T97.1-6	WASHER 6	8
9	PAGB/T5783-M6x16	BOLT M6x16	2
10	PAF20-02010100	SEPARATE PLATE ASSY	1
11	PAF20-02010102	SEAL, RUBBER	1
12	PAF20-02010101	SEPARATE PLATE	1
13	PAF20-02010103	PIPE, RUBBER	1
14	PAF15-00000013	PIN Ø4x12	4
15	PAF20-02010001	OIL PAN	1
16	PAGB/T97.1-8	WASHER 8	14
17	PAGB/T5783-M8x30	BOLT M8x30	8
18	PAGB/T5782-M8x85	BOLT M8x85	6
19	PAHT2.5x50	CLAMP	1
20	PAF20-02010002	RUBBER SLEEVE, OIL OUTLET	1
21	PAF15-04000003	WASHER	1
22	PAF15-04000002	BOLT, OIL OUTLET	1
23	PAF20-02010004	GASKET, OUTLET MANIFOLD	1
24	PAF20-02010003L	OUTLET MANIFOLD (L)	1
	PAF20-02010003S	OUTLET MANIFOLD (S)	
25	PAGB/T5783-M6x25	BOLT M6x25	4
26	PAF20-02010005	DAMPER, OUTLET MANIFOLD	1
27	PAF20-02000001L	UPPER CASING (L)	1
	PAF20-02000001S	UPPER CASING (S)	
28	PAF20-02000003	SEAL, RUBBER	1
29	PAF20-02000004	PLATE	1
30	PAGB/T5783-M6x10	BOLT M6x10	1
31	PAGB/T893.1-30	CIRCLIP	1
32	PAT40-02000004	SHEATH, RUBBER	1
33	PATE15-02000016	BUSH	1



N°	Ref.	Description	Quantity	N°	Ref.	Description	Quantity
1	PAF15-06000001	LOWER CASING	1	24	PAF15-06080003	O-RING B, COVER	1
2	PAF4-03000023	PLUG, OIL HOSE	2	25	PAF15-06080001	COVER, LOWER CASING	1
3	PAF4-03000024	GASKET	2	26	PAGB/T290HK1712	BEARING HK1712	1
4	PAF15-06000010-1	SHIM (t:0.10 mm)	1	27	PAF15-06080004	OIL SEAL	2
	PAF15-06000010-2	SHIM (t:0.12 mm)		28	PAF15-06080000	COVER ASSY, LOWER CASING	1
	PAF15-06000010-3	SHIM (t:0.15 mm)		29	PAGB/T97.1-6	WASHER 6	2
	PAF15-06000010-4	SHIM (t:0.18 mm)		30	PAGB/T5783-M6x20	BOLT M6x20	2
	PAF15-06000010-5	SHIM (t:0.30 mm)		31	PAF20-04020000L	CAM ASSY, SHIFT ROD (L)	1
	PAF15-06000010-6	SHIM (t:0.40 mm)			PAF20-04020000S	CAM ASSY, SHIFT ROD (S)	1
	PAF15-06000010-7	SHIM (t:0.50 mm)		32	PAGB/T879.1-2.5x14	PIN 2.5x14	1
5	PAHR30205J	BEARING	1	33	PAF20-04000001	GASKET BASE	1
6	PAF15-06010000	GEAR, FORWARD	1	34	PANSKF1420	BEARING	1
7	PAF15-06000012	NUT, PINION	1	35	PAF15-06000006	BUSHING NYLON	1
8	PAF15-06000011	PINION	1	36	PAF20-04010001	BASE, DRIVE SHAFT	1
9	PAF15-06000008	SHIM, PINION (t:1.13 mm)	1	37	PAF15-06020004	O-RING	1
	PAF15-06000009	SHIM, PINION (t:1.20 mm)		38	PAF15-06020002	BEARING	1
10	PATE15-04000018	WASHER, PINION	1	39	PAF15-06020003	OIL SEAL, DRIVE SHAFT	2
11	PAF15-06000020-1	WASHER, BEARING	1	40	PAF20-04030000L	DRIVE SHAFT ASSY (L)	1
12	PAF15-06070004	PIN, CLUTCH	1		PAF20-04030000S	DRIVE SHAFT ASSY (S)	1
13	PAF15-06070003	CLUTCH, DOG	1	41	PAF15-06000013	KEY, WOODRUFF	1
14	PAF15-06070005	RING, CLUTCH	1	42	PAF20-04000002	OUTER PLATE	1
15	PAF15-06070006	PLUNGER, SHIFT	1	43	PAJASOF404-31-045	O-RING	1
16	PAF15-06070002	SPRING, CLUTCH	1	44	PAGB/T5783-M8x25	BOLT M8x25	2
17	PAF15-06070001	SHAFT, PROPELLER	1	45	PAF15-06050000	IMPELLER ASSY	1
18	PAF15-06070000	PROPELLER SHAFT ASSY	1	46	PAF15-06060002	INNER SHELL, WATER PUMP	1
19	PAF15-06070007	WASHER, REVERSE GEAR	1	47	PAF15-00000013	DOWEL PIN Ø4x12	2
20	PAF15-06080005	GEAR, REVERSE	1	48	PAF20-04040001	WATER PUMP HOUSING	1
21	PAF15-06080006-1	SHIM (t:0.10 mm)	1	49	PAF25-04050004	SEAL, WATER PIPE	1
	PAF15-06080006-2	SHIM (t:0.20 mm)	1	50	PAF15-06000014	FIXED PLATE, WATER PUMP	2
	PAF15-06080006-3	SHIM (t:0.30 mm)	1	51	PAGB/T5783-M8x45	BOLT M8x45	4
	PAF15-06080006-4	SHIM (t:0.40 mm)	1				
	PAF15-06080006-5	SHIM (t:0.50 mm)	1				
22	PAGB/T276-6005/P63	BEARING 6005	1				
23	PAF15-06080002	O-RING A, COVER	1				

COLA INFERIOR 2 / LOWER CASING & DRIVE 2 / PARTE INFERIORE PIEDE 2



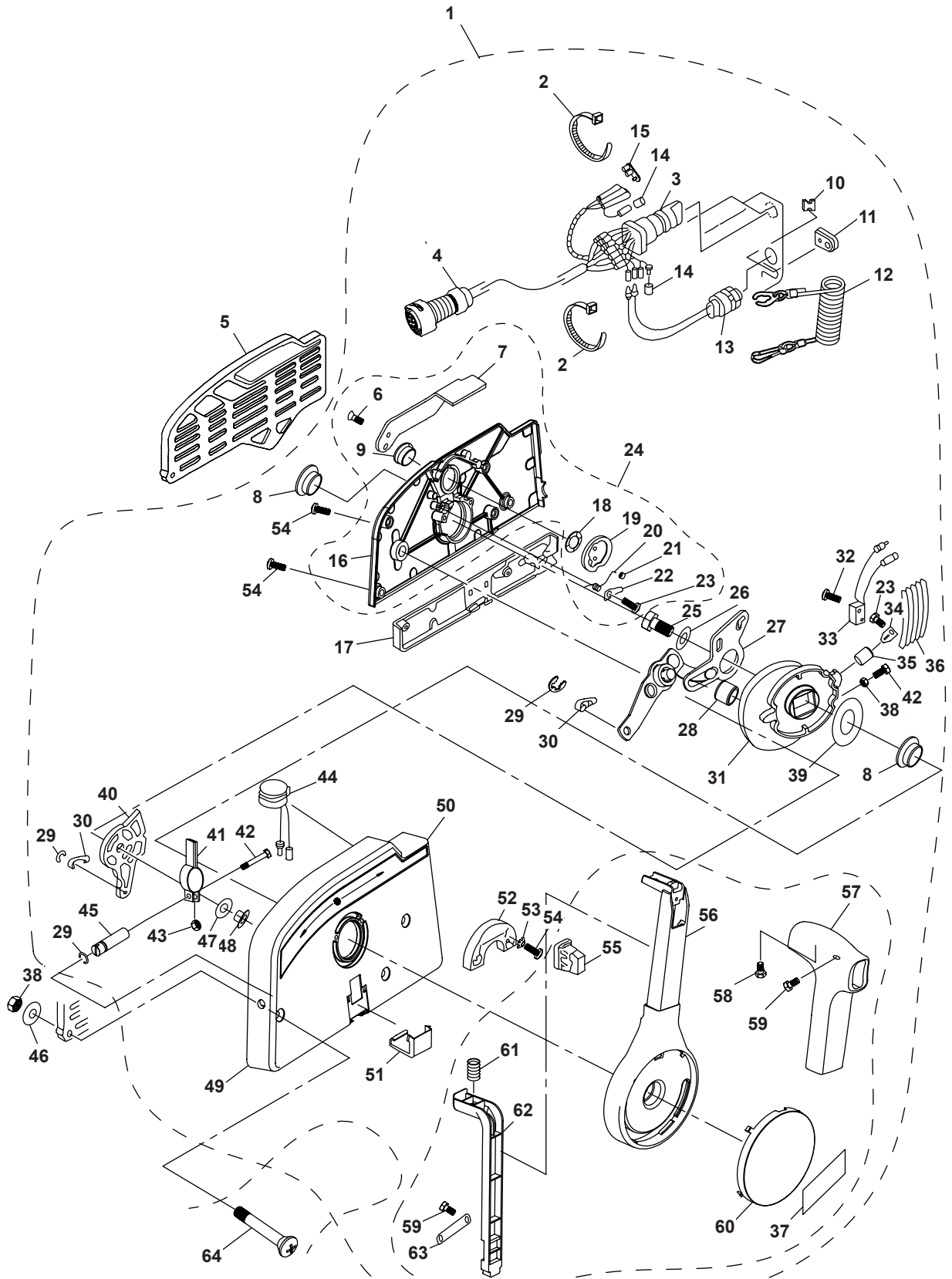
N°	Ref.	Description	Quantity
1	PAGB/T820-M5x20	SCREW M5x20	1
2	PAF15-06000003	WATER INLET B	1
3	PAGB/T5783-M6x30	BOLT M6x30	1
4	PAGB/T97.1-6	WASHER 6	1
5	PAGB/T861.1-6	WASHER, LOCKING 6	1
6	PAF15-06000004	ANODE	1
7	PAF15-06000015	CUSHION, PROPELLER	1
8	PAF15-06090000	PROPELLER ASSY	1
9	PAGB/T96-10	BIG WASHER 10	1
10	PAF15-06000016	NUT, HEXAGON	1
11	PAGB/T91-2.5x20	PIN, COTTER 2.5x20	1
12	PAGB/T5783-M8x30	BOLT, HEXAGON M8x30	4

N°	Ref.	Description	Quantity
13	PAGB/T97.1-8	WASHER 8	4
14	PAF15-06020005	SEAL, RUBBER	1
15	PAF20-02000005	BUSH TUBE	1
16	PAF20-02000101L	TUBE, WATER (L)	1
	PAF20-02000101S	TUBE, WATER (S)	
17	PAHT-2.5x50	CABLE TIES 2.5x50	1
18	PAF20-02000007	SEAL, WATER TUBE	1
19	PAF15-00000013	DOWEL PIN Ø4x12	2
20	PAGB/T6182-M5	NUT, LOCKING M5	1
21	PAF15-06000002	WATER INLET A	1
22	PAF20-04000000L	LOWER CASING ASSY (L)	1
	PAF20-04000000S	LOWER CASING ASSY (S)	1

CAJA DE MANDOS / CONTROL BOX ASSY / SCATOLA COMANDI

N°	Ref.	Description	Qty
1	PAF15-13000000W	CONTROL BOX ASSY	1
2	PAHT2.5x60	CLAMP	2
3	PAF15-13000200W	STARTING SWICH ASSY	1
4	PAF15-13000100W	CONTROL CABLE ASSY	1
5	PAF15-11000002W	PLATE, CONTROL BOX	1
6	PAGB/T819.2-M5x12	SCREW PAN HEAD M5x12	2
7	PAF15-13020007W	THROTTLE HANDLE, INCHING	1
8	PAF15-13000005W	BUSH, CAM	2
9	PAF15-13020006W	BUSH, HANDLE	1
10	PAF15-11000001W	BLOCK, RUBBER	1
11	PAF15-13000014W	JACKET, CABLE	1
12	PAF4-01090401	STOPPER, HANG ROPE ASSY	1
13	PAF15-13020400W	ENGINE STOP SWICH ASSY	1
14	PAF15-13000203W	INSULATED PLUG "B"	2
15	PAF15-13000202W	INSULATED PLUG "A"	1
16	PAF15-13020001W	COVER, CONTROL BOX	1
17	PAF15-13000013W	SMALL COVER, CONTROL BOX	1
18	PAF15-13020005W	WASHER, WAVE	1
19	PAF15-13020100W	LOCKED DISK ASSY	1
20	PAF15-13020002W	TORSION SPRING	1
21	PAF15-13020003W	EACH LOCKED PULLEY	1
22	PAF15-13020004W	PLATE, PULLEY SPRING	1
23	PAGB/T818-M4x6	PAN HEAD SCREW M4x16	2
24	PAF15-13020000W	COVER ASSY, CONTROL BOX	1
25	PAGB/T5783-M8x30	BOLT M8x30	1
26	PAGB/T97.1-8	WASHER 8	1
27	PAF15-13000500W	MACHINE CONTROL ACCELEROGRAPH	1
28	PAF15-10000007W	WASHER	1
29	PAGB/T896-6	PIN, COTTER 8	3
30	PAF25-07000007W	CONTROL CABLE TIE-IN "B"	2
31	PAF15-13000002W	CAM MECHANISM	1
32	PAGB/T818-M3x14	PAN HEAD SCREW M3x14	2

N°	Ref.	Description	Qty
33	PAF15-13000800W	INCHING SWITCH	1
34	PAF15-13000003W	PLATE	1
35	PAF15-13000004W	PULLEY	1
36	PAF15-13000001W	SHIFT SPING PLATE "B"	5
37	PAF15-12000016W	MARK 16	1
38	PAGB/T6170-M6	NUT M6	4
39	PAF15-13000008W	WEARABLE PLATE CAM MECHANISM	1
40	PAF15-13000700W	SHIFT SWING LINK	1
41	PAF15-13000601W	ADJUSTER FASTNESS ASSY	1
42	PAGB/T5783-M5x25	BOLT M5x25	2
43	PAGB/T6170-M5	NUT M5	2
44	PAF15-13000300W	BUZZER ASSY	1
45	PAF15-13000602W	ADJUSTER PIN	1
46	PAGB/T5287-6	BIG WASHER 6	3
47	PAF15-13000006W	WEARABLE PLATE	1
48	PAF15-13000011W	BUSH, SHIFT SWING LINK	1
49	PAF15-13000012W	BRACKET, CONTROL BOX	1
50	PAF15-12000013W	MARK 13	1
51	PAF15-13000015W	COVER, WATERPROOF	1
52	PAF15-13010010W	BLOCK, CONTROL HANDLE	1
53	PAGB/T956.1-5	WASHER LOCKED 5	2
54	PAGB/T819.2-M5x18	SCREW, PAN HEAD M5x18	7
55	PAF15-13010003W	JAM, BUTTON	2
56	PAF15-13010001W	CONTROL, HANDLE	1
57	PAF15-13010002W	CONTROL HANDLEBAR	1
58	PAGB/T84.5-ST4.8x12	SCREW, PAN HEAD ST4.8x12	1
59	PAGB/T818-M4x10	SCREW, PAN HEAD M4x10	3
60	PAF15-13010009W	COVER, CONTROL HANDLE	1
61	PAF15-13010005W	SPRING, COMPRESSION	1
62	PAF15-13010004W	PART, ORIENTATION CONTROL	1
63	PAF15-13010008W	PLATE, ORIENTATION PART	1
64	PAGB/T820-M6x90	SCREW, PAN HEAD M6x90	3

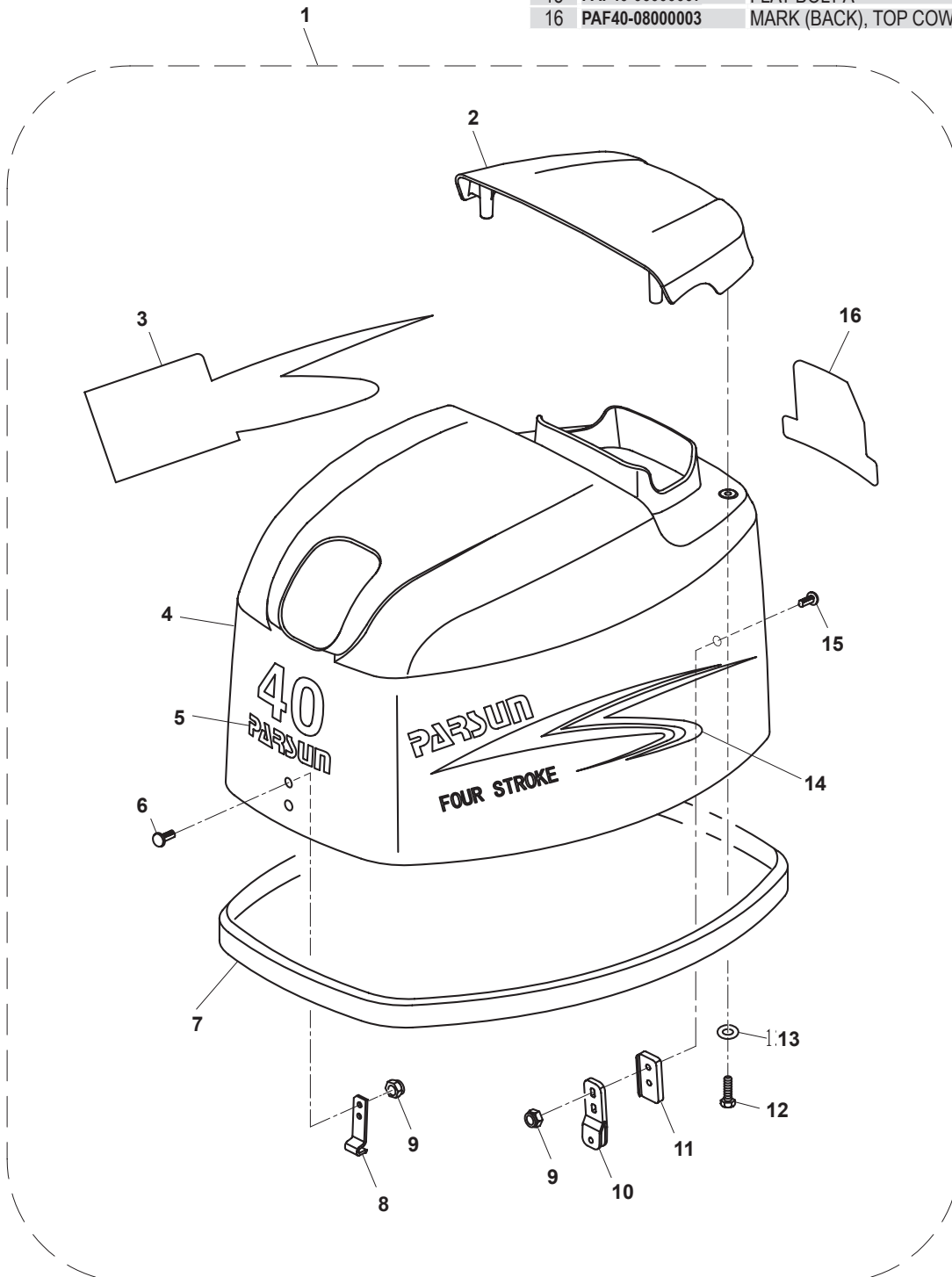




F40FWL-T

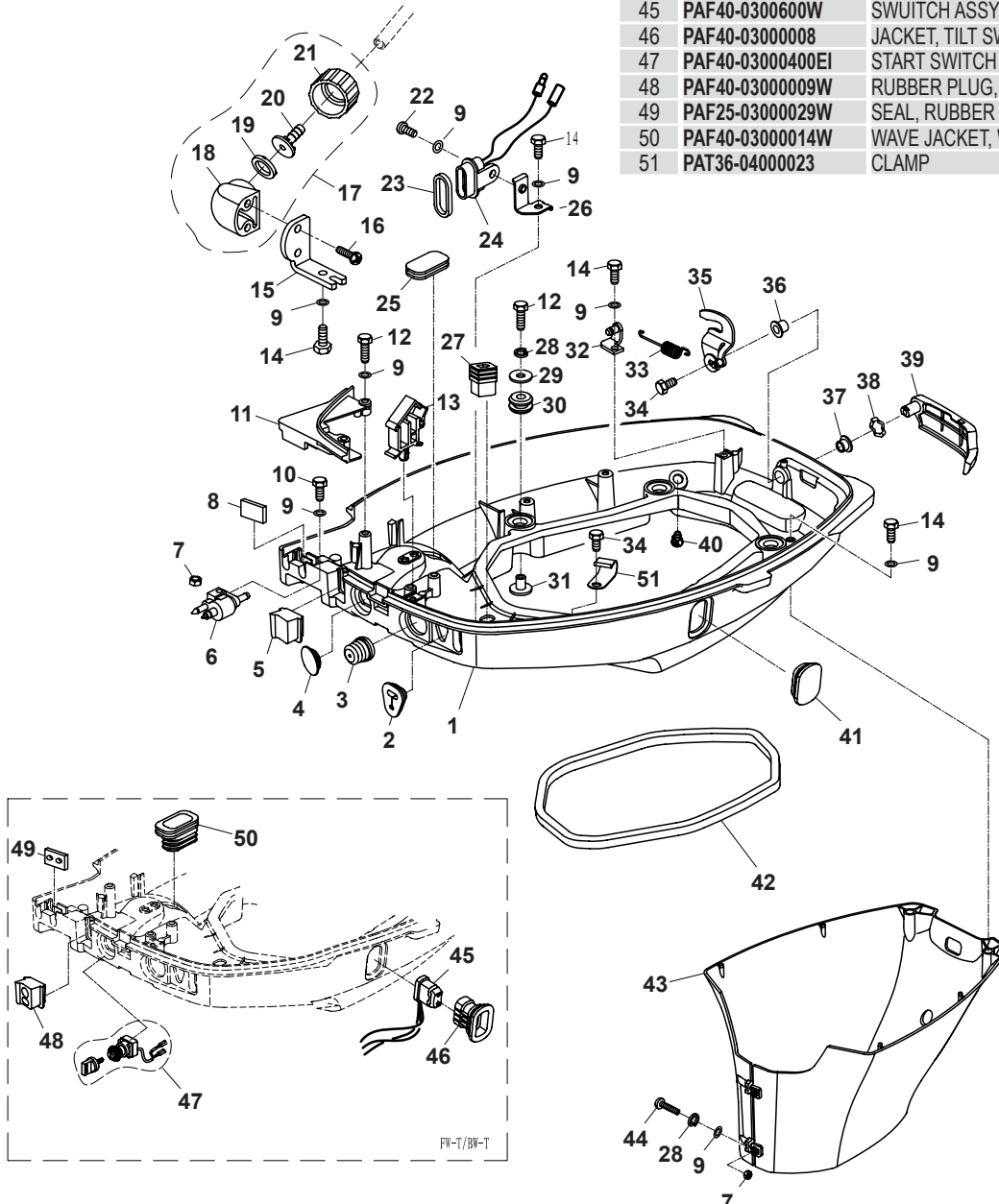
TAPA MOTOR / TOP COWLING ASSY / CALANDRA

N°	Ref.	Description	Qty
1	PAF40-0600000	TOP COWLING ASSY	1
2	PAF40-0600003	COVBR, TOP COWLING	1
3	PAF40-0800002	MARK (RIGHT), TOP COWLING	1
4	PAF40-0600001	TOP COWLING	1
5	PAF40-0800004	MARK (FRONT), TOP COWLING	1
6	PAF25-0600006	FLAT BOLT B	2
7	PAF40-0600002	RUBBER SEAL, TOP COWLING	1
8	PAF25-0600004	POTHOOK (FRONT)	1
9	PAGB/T6184-M6	LOCKNUT M6	4
10	PAF25-06000100	POTHOOK ASSY(BACK)	1
11	PAF25-0600005	CUSHION, BACK POTHOOK	1
12	PAGB/T5783-M6x20	BOLT M6x20	4
13	PAGB/T97.1-6	WASHER 6	4
14	PAF40-0800001	MARK (LEFT), TOP COWLING	1
15	PAF40-0600007	FLAT BOLT A	2
16	PAF40-0800003	MARK (BACK), TOP COWLING	1



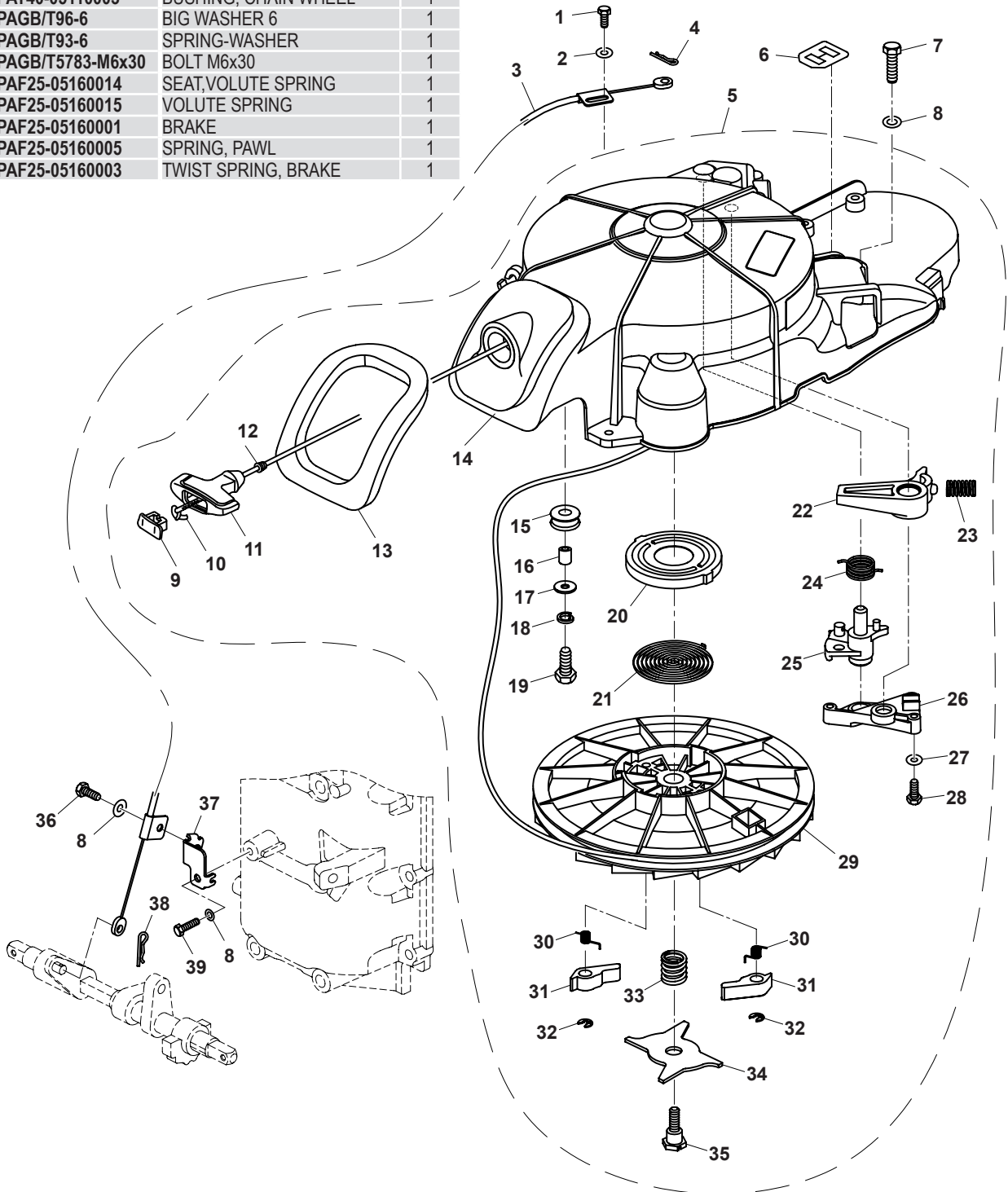
BANDEJA MOTOR / BOTTON COWLING / BASE CALANDRA

Nº	Ref.	Description	Qty	Nº	Ref.	Description	Qty
1	PAF40-0300001EI	BOTTOM COWLING (EFI)		23	PAF20-03000101	SEAL, PILOT LAMP	1
2	PAF15-01000015	JACKET, CABLE	1	24	PAF40-03000300EI	PILOT LAMP ASSY (EFI)	1
3	PAF15-05000006	SHEATH, WAVB	1	25	PAF15-05000003	RUBBER PLUG, QUADRATE	1
4	PAF25-03000003	RUBBRR PLUG, CIRCULAR	1	26	PAF40-03000012	BRACKET, PILOT LAMP	1
5	PAF40-03000009	RUBBER PLUG, ABNORMAL	1	27	PAF15-05000033	JACKET, LEVER	1
6	PAF4-05000200	FUEL CONNECTOR ASSY	1	28	PAGB/T93-6	SPRING-WASHER 6	4
7	PAGB/T6170-M6	NUT M6	3	29	PAF25-00000004	BIG WASHER 6	4
8	PAF15-05000017	SEAL, RUBBER	1	30	PAF25-03000006	DAMPER	4
9	PAGB/T97.1-6	WASHER 6	10	31	PAF25-03000007	BUSHING, DAMPER	4
10	PAGB/T5783-M6x25	BOLT M6x25	1	32	PAF25-03000019	BRACKET ASSY, TENSIONAL SPRING	1
11	PAF40-03000006	COVER BOARD	1	33	PAF15-05000026	SPRING, TENSION	1
12	PAGB/T5783-M6x30	BOLT M6x30	4	34	PAGB/T5783-M6x12	BOLT M6x12	1
13	PAF15-05000008	CLAMP A	1	35	PAF25-03020000	LOCKING ASSY, TOP COWLING	1
14	PAGB/T5783-M6x20	BOLT M6x20	5	36	PAF15-05000036	BUSHING B	1
15	PAF25-03000023W	BRACKET, JAM	1	37	PAF15-05000022	BUSHING A	1
16	PAGB/T84.5-ST5.5x19	SCREW ST5.5x19	2	38	PAF15-05000023	WASHER, WAVE	1
17	PAF25-03000100W	JAM ASSY	1	39	PAF40-03000100	LOCKING ASSY, TOP COWLING	1
18	PAF25-03000101W	JAM	1	40	PAF15-05000009	WATER NIPPLE, PLASTIC	1
19	PAF25-03000102W	RUBBRR RING, JAM	1	41	PAF40-03000011	JAM, BOTTOM COWLING	1
20	PAF25-03000103W	JOINT, JAM	1	42	PAF25-03000002	SEAL, BOTTOM COWLING	1
21	PAF25-03000104W	NUT, JAM	1	43	PAF40-00000100	SHIELD, UPPER CASING	1
22	PAGB/T823-M6x10	SCREW M6x10	1	44	PAGB/T818-M6X25	SCREW M6X25	2
				45	PAF40-0300600W	SWUITCH ASSY, TILT	1
				46	PAF40-03000008	JACKET, TILT SWITCH	1
				47	PAF40-03000400EI	START SWITCH	
				48	PAF40-03000009W	RUBBER PLUG, ABNORMAL	
				49	PAF25-03000029W	SEAL, RUBBER	1
				50	PAF40-03000014W	WAVE JACKET, WATER PIPE	1
				51	PAT36-04000023	CLAMP	1



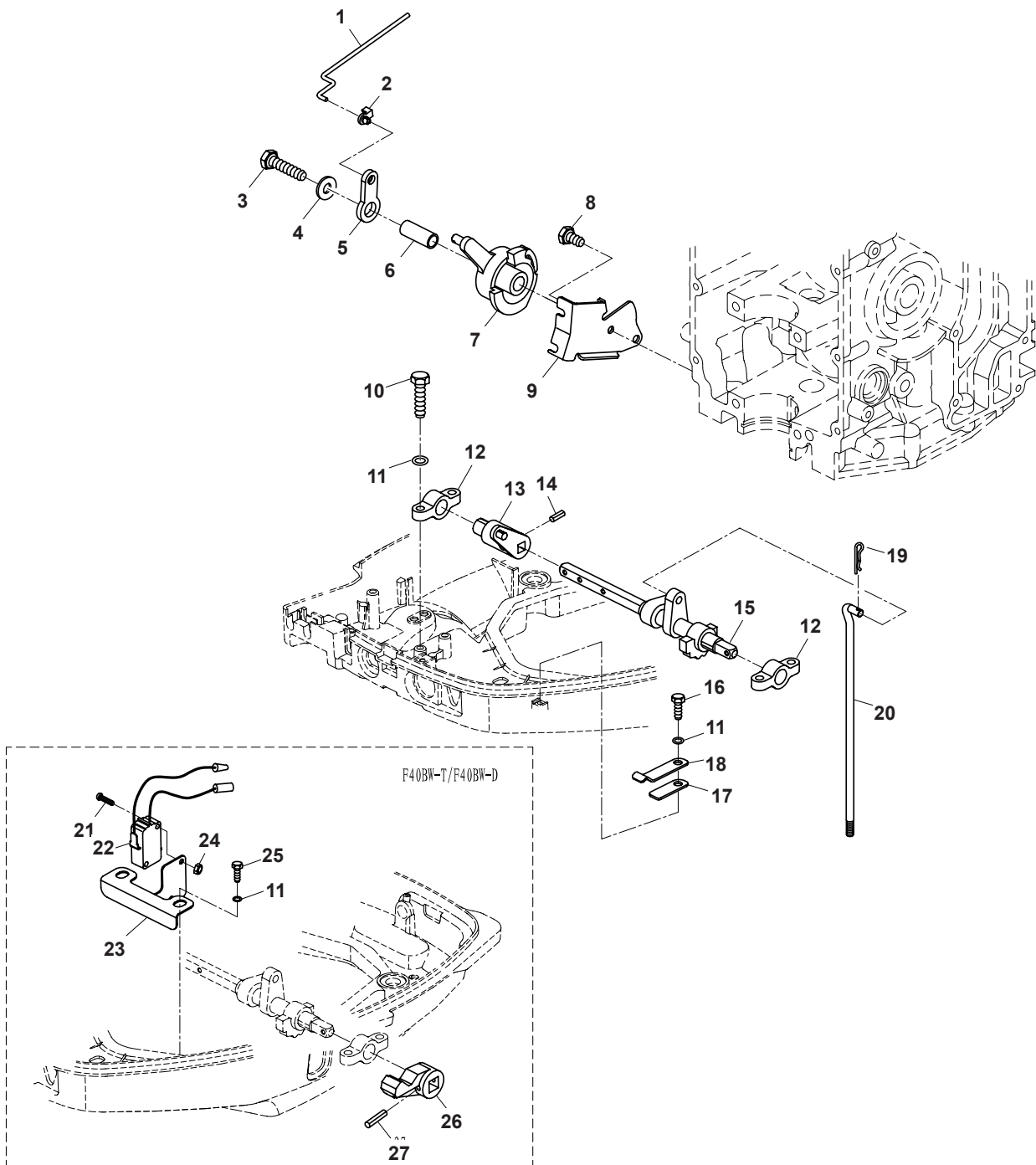
ARRANQUE / STARTER ASSY / AVVIAMENTO

N°	Ref.	Description	Quantity	N°	Ref.	Description	Quantity
1	PAGB/T5783-M5x12	BOLT M5x12	1	25	PAF25-05160004	PAWL, BRAKE	1
2	PAGB/T96-5	BIG WASHER 5	1	26	PAF25-05160006	FIXED PLATE, BRAKE	1
3	PAF40-05080200	TIGHTWIRE ASSY, ARRESTER	1	27	PAGB/T848-5	SMALL WASHER 5	3
4	PAF25-05160002	SPRING CLAMP	1	28	PAGB/T5783-M5x30	BOLT M5x30	3
5	PAF40-05080000	STARTER ASSY	1	29	PAF25-05160300	WHEEL ASSY, START-UP	1
6	PAF25-05160012	RUBBER JACKET	1	30	PAF25-05160304	WRIST SPRING, PAWL	2
7	PAGB/T5783-M6x25	BOLT M6x25	4	31	PAF25-05160305	PAWL, START-UP	2
8	PAGB/T97.1-6	WASHER 6	6	32	PAGB/T896-6	COTTER CIRCLIP 6	2
9	PAF4-04130102	COVER, HANDLE	1	33	PAF25-05160016	SPRING, PLATE	1
10	PAF25-05160019	START LINE	1	34	PAF25-05160017	PLATE, START-UP	1
11	PAF25-05160501	STARTER HANDLE	1	35	PAF25-05160018	BOLT, PLATE	1
12	PAF25-05160021	DAMPER, HANDLE	1	36	PAGB/T5783-M6x12	BOLT M6x12	1
13	PAF40-05080001	SEAL, FROTHY RUBBER	1	37	PAF40-05000035	FIXED PLATE, TIGHTWIRE	1
14	PAF40-05080100	STARTER CASING ASSY	1	38	PAF15-00000012	SPRING CLAMP Ø1.8	1
15	PAT40-05110002	CHAIN WHEEL, STARTER	1	39	PAGB/T5783-M6x16	BOLT M6x16	1
16	PAT40-05110003	BUSHING, CHAIN WHEEL	1				
17	PAGB/T96-6	BIG WASHER 6	1				
18	PAGB/T93-6	SPRING-WASHER	1				
19	PAGB/T5783-M6x30	BOLT M6x30	1				
20	PAF25-05160014	SEAT, VOLUTE SPRING	1				
21	PAF25-05160015	VOLUTE SPRING	1				
22	PAF25-05160001	BRAKE	1				
23	PAF25-05160005	SPRING, PAWL	1				
24	PAF25-05160003	TWIST SPRING, BRAKE	1				



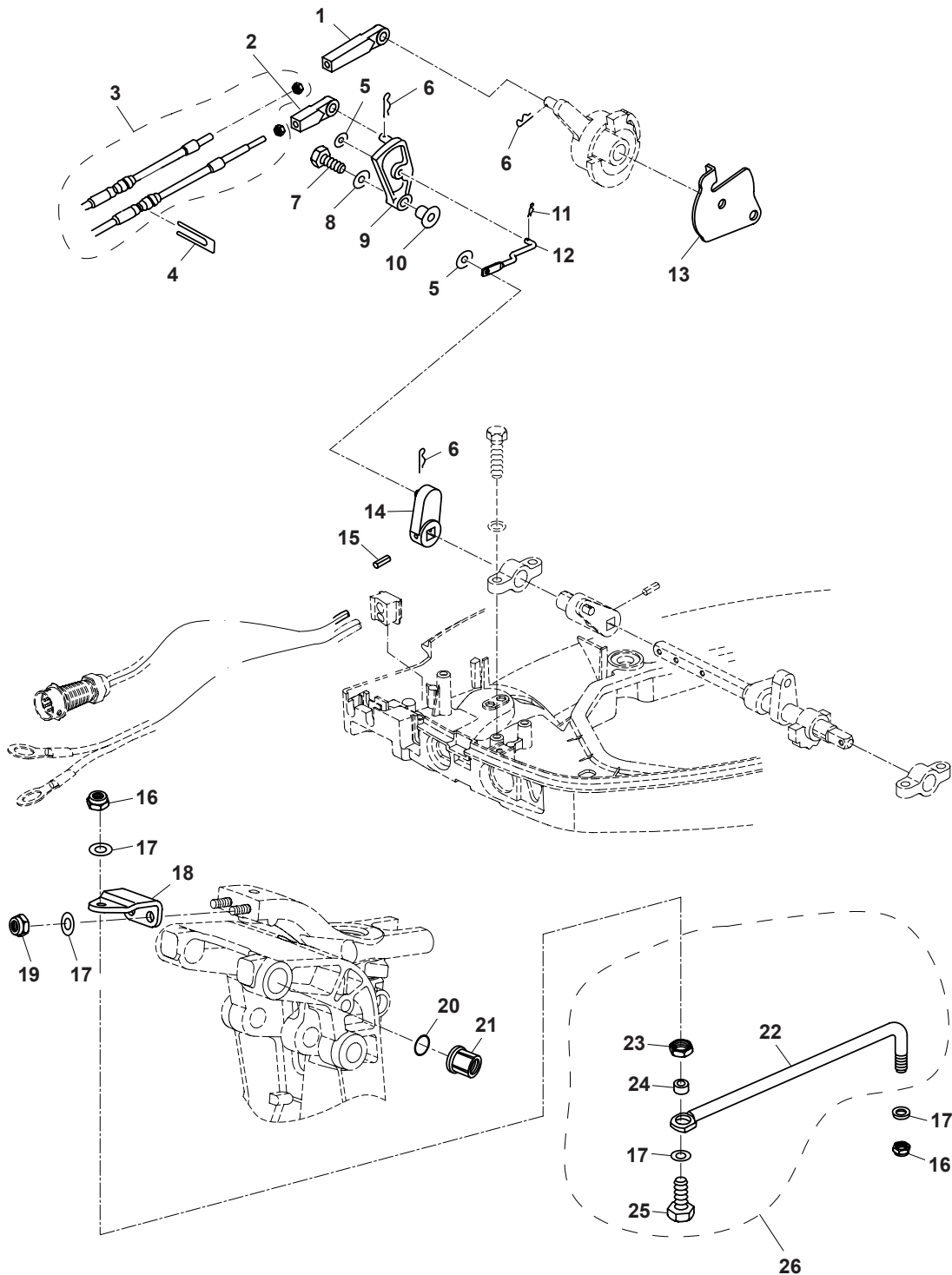
CAMBIO 1 / CONTROL SYSTEM 1 / CALANDRA 1

N°	Ref.	Description	Quantity	N°	Ref.	Description	Quantity
1	PAF40-05000028	CONNECTING ROD, ACCELEROGRAPH	1	14	PAGB/T879.4-Ø3x20	PIN Ø 3x20	1
2	PAF15-07000016	JOINT, CONNECTING ROD	1	15	PAF15-05040100	LEVER ASSY, SHIFT ROD	1
3	PAGB/T5782-M6x55	BOLT M6x55	1	16	PAGB/T5783-M6x20	BOLT M6x20	1
4	PAGB/T96-6	BIG WASHER 6	1	17	PAF15-05000031	SPRING PIECE, SHIFT ROD	1
5	PAF15-07000014	DRIVEN WHEEL, ACCELEROGRAPH	1	18	PAF15-05000032	SPRING PIECE, SHIFT ROD	1
6	PAF40-05000016	BUSHING, ACCELEROGRAPH	1	19	PAF15-00000012	CLIP Ø1.8	1
7	PAF40-05000033	CHAIN WHEEL, ACCELEROGRAPH	1	20	PAF40-03000007L	CONNECTING ROD, SHIFT GEAR	1
8	PAGB/T5783-M6x10	BOLT M6x10	1	21	PAGB/T818-M3x14	SCREW M3x14	2
9	PAF40-05000015	PLATE, STEEL CABLE	1	22	PAF15-13000800W	JIGGLE SWITCH	1
10	PAGB/T5783-M6x25	BOLT M6x25	4	23	PAF15-05000300BW	PLATE, JIGGLE SWITCH	1
11	PAGB/T97.1-6	WASHER 6	7	24	PAGB/T6170-M3	NUT M3	2
12	PAF15-05040002	BEARER, SHIFT ROD	2	25	PAGB/T5783-M6x16	BOLT M6x16	2
13	PAF40-03000010	ROCKER, DETENT	1	26	PAF25-03030005W	ROCKER C, ARRESTER	1
				27	PAGB/T879.2-3x20	COLUMNIFORM PIN Ø 3 x 20	1



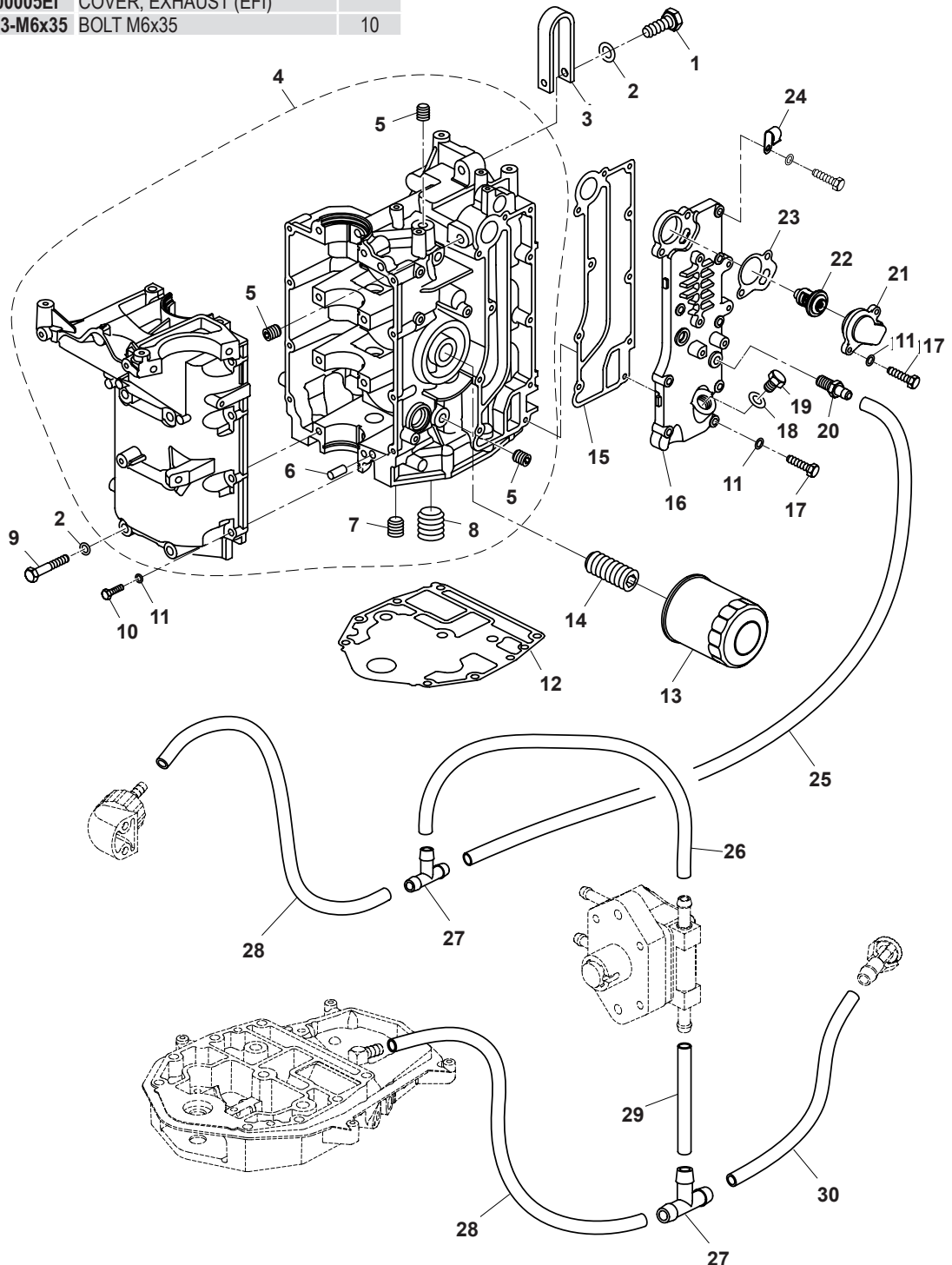
CAMBIO 2 / CONTROL SYSTEM 2 / CALANDRA 2

N°	Ref.	Description	Quantity	N°	Ref.	Description	Quantity
1	PAF40-05000016W	TIE-IN, CONTROL CABLE	1	14	PAF25-03030003W	ROCKER B, STOPPER	1
2	PAF25-07000005W	TIE-IN, CONTROL CABLE	1	15	PAGB/T879. 2-3x20	COLUMNIFORM PIN Ø3x20	1
3	PAF25-070000200W	CONTROL CABLE ASSY	2	16	PAF25-07000006W	THIN LOCKNUT	2
4	PAF25-07000003W	PLATE, RINGENT	1	17	PAGB/T97.1-10	WASHER 10	5
5	PAGB/T96-5	BIG WASHER 5	2	18	PAF25-01000007W	PLATE	1
6	PAF15-00000012	CLIP SPRING Ø1.8	3	19	PAGB/T889.2-M10x1.25	THIN LOCKNUT M10x1.25	2
7	PAGB/T5783-M6x25	BOLT M6x25	1	20	PAJASO F404 24-016	O-RING	1
8	PAGB/T5287-6	SUPPER WASHER 6	1	21	PAF25-01010012W	NUT, PLASTIC	1
9	PAF25-03000027W	PLATE, SHIFT	1	22	PAF25-070000301W	LINK ROD, TURNING	1
10	PAF25-03000028W	BUSH, LIMITED PLATE	1	23	PAF25-070000304W	NUT 3/8"	1
11	PAF25-05160002	CLIP SPRING Ø1	1	24	PAF25-070000303W	TUBE, BOLT	1
12	PAF25-03030004W	LINK ROD B, SHIFT	1	25	PAF25-070000302W	BOLT	1
13	PAF40-05000015W	PLATE, STEEL CABLE	1	26	PAF25-070000300W	LINK ROD ASSY	1



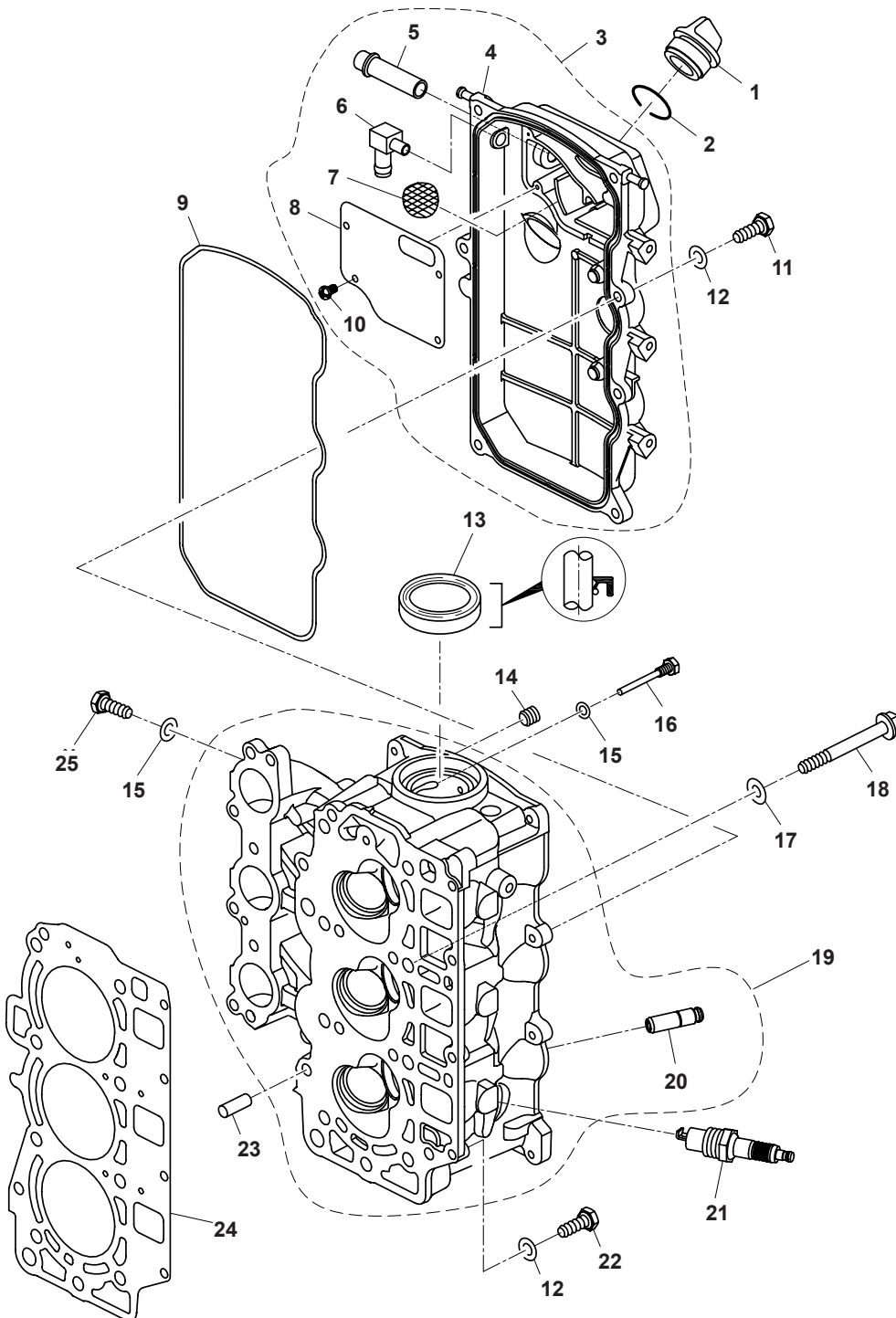
BLOQUE / CRANKCASE / BLOCCO

N°	Ref.	Description	Quantity	N°	Ref.	Description	Quantity
1	PAGB/T5783-M8x35	BOLT M8x35	1	18	PAF40-05000038	GASKET, JAM	1
2	PAGB/T97.1-8	WASHER 8	9	19	PAF40-05000037	JAM M18x1.5	1
3	PAF40-05000011	POTHOOK, ENGINE	1	20	PAF25-05010113	JOINT, WATER NIPPLE	1
4	PAF40-05010000	CRANKCASE ASSY	1	21	PAF15-07010021	COVER, THERMOSTAT	1
5	PAF15-07010004	JAM 1/8"	4	22	PAF15-07000031	THERMOSTAT (S60)	1
6	PAF25-00000014	DOWEL PIN Ø8x12	2	23	PAF15-07010022	GASKET, THERMOSTAT	1
7	PAF25-05010104	JAM 1/2"	1	24	PAF40-05000003	CLAMP	1
8	PAF25-05010103	JAM 3/4"	1	25	PAF40-05000022	WATER PIPE A Ø6 x Ø11 x 280	1
9	PAF25-05000035	BOLT M8x80	8	26	PAF40-05000053	WATER PIPE B Ø6 x Ø11 x 330	1
10	PAF15-07000030	BOLT M6x35	8	27	PAF40-03000016	THREE WAY	2
11	PAGB/T97.1-6	WASHER 6	18	28	PAF40-03000004	WATER PIPE F	1
12	PAF40-00000003	GASKET, ENGINE	1	29	PAF40-03000002	WATER PIPE C Ø6 x Ø11 x 170	1
13	PAF25-05000100	OIL FILTER	1	30	PAF40-03000003	WATER PIPE D Ø6 x Ø11 x 230	1
14	PAF15-07010003	STUD SCREW M20x1.5x35	1				
15	PAF40-05000004	GASKET, EXHAUST COVER	1				
16	PAF40-05000005EI	COVER, EXHAUST (EFI)					
17	PAGB/T5783-M6x35	BOLT M6x35	10				



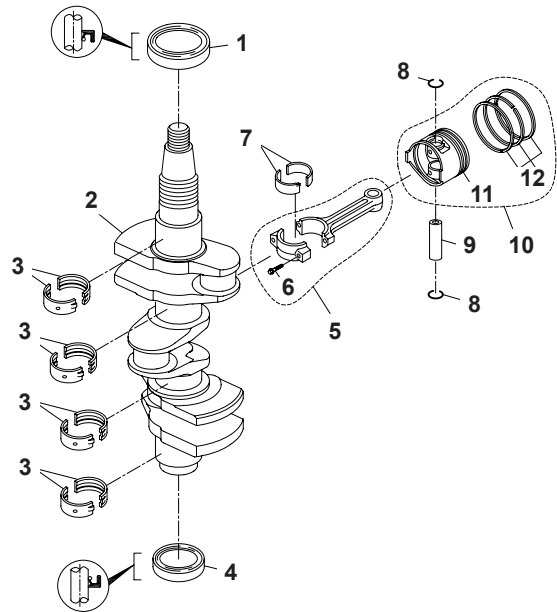
CULATA / CYLINDER HEAD / TESTATA

N°	Ref.	Description	Quantity	N°	Ref.	Description	Quantity
1	PAF15-07050004	FILLER CAP, ENGINE OIL	1	14	PAF15-07010005	PLUG 1/4"	5
2	PAJASO F404 35 025	O-RING	1	15	PAF25-05050007	WASHER, LIMITING BOLT	4
3	PAF40-05070000	COVER ASSY, CYLINDER HEAD	1	16	PAF25-05050006	LIMITING BOLT, CAMSHAFT	1
4	PAF40-05070001	COVER, CYLINDER HEAD	1	17	PAF25-05000003	WASHER 9	8
5	PAF40-05070002	CONNECTOR, BREATHER	1	18	PAF25-05000002	BOLT M9x1.25	8
6	PAF25-02010003	CONNECTOR B, GAS PIPE	1	19	PAF40-05040100EI	CYLINDER HEAD ASSY (EFI)	
7	PAF40-05070004	SIEVE NET	1	20	PAF15-07040104	GUIDE, V ALVE	6
8	PAF40-05070003	PLATE, BREATHER	1	21	PAF20-05000037	SPARK PLUG DPR7EA-9	3
9	PAF40-05000002	SEAL, CYLINDER HEAD	1	22	PAF8-05000022	BOLT M6x25	4
10	PAGB/T818-M4x10	SCREW M4x10	4	23	PAF25-00000014	DOWEL PIN 8x12	2
11	PAGB/T5783-M6x20	BOLT M6x20	7	24	PAF40-05030000	GASKET ASSY, CYLINDER HEAD	1
12	PAGB/T97.1-6	WASHER 6	11	25	PAGB/T5783-M6x10	BOLT M6x10	3
13	PAF25-05050021	OIL SEAL, CAMSHAFT	1				



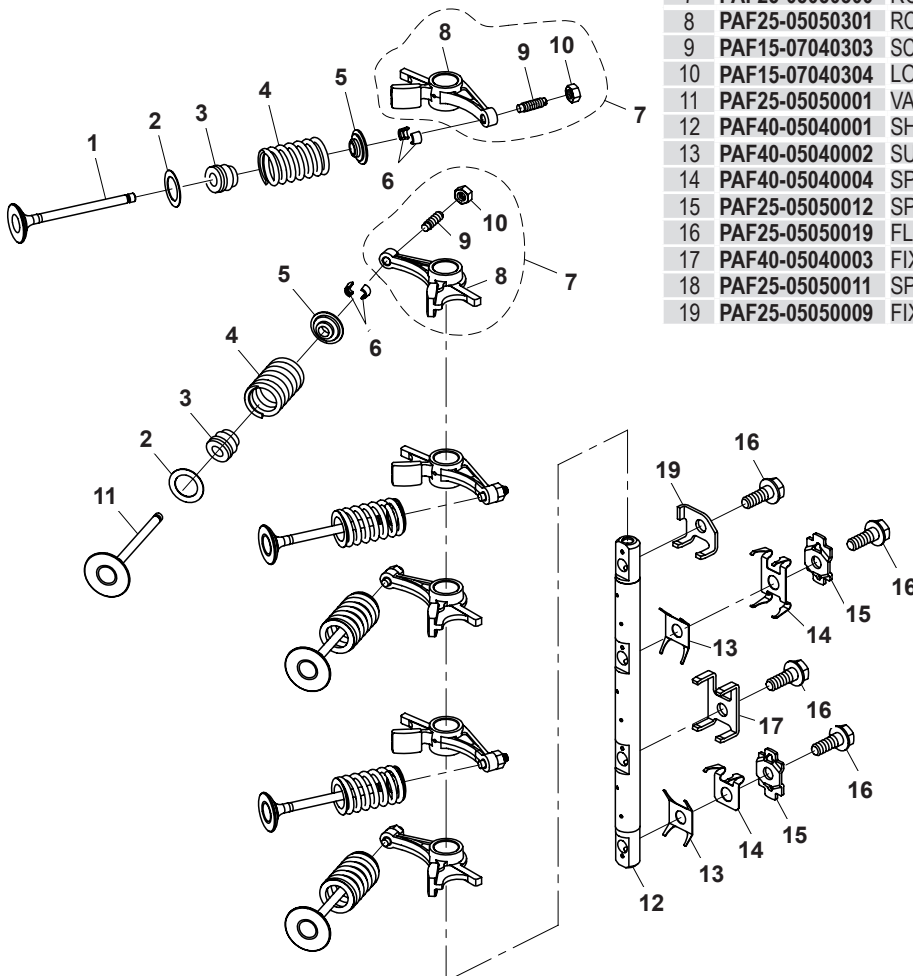
CIGÜEÑAL Y PISTONES / CRANKSHAFT & PISTON ALBERO MOTORE E PISTONE

Nº	Ref.	Description	Quantity
1	PAF25-05020003	OIL SEAL B	1
2	PAF40-05000001	CRANKSHAFT	1
3	PAF25-05010302-1	BEARING SHELL, CRANKSHAFT (BLACK)	8
3	PAF25-05010302-2	BEARING SHELL, CRANKSHAFT (BROWN)	
4	PAF25-05020002	OIL SEAL A	1
5	PAF25-05020200	CONNECTING ROD ASSY	3
6	PAF25-05020204	BOLT, CONNECTING ROD	6
7	PAF25-05020203-1	BEARING SHELL, CONNECTING ROD (BLACK)	6
7	PAF25-05020203-2	BEARING SHELL, CONNECTING ROD (BROWN)	
8	PAF25-05020106	CIRCLIP, PISTON PIN	6
9	PAF25-05020105	PIN, PISTON	3
10	PAF40-05020100	PISTON ASSY	3
11	PAF40-05020101	PISTON	3
12	PAF25-05020102	PISTON RING ASSY	3



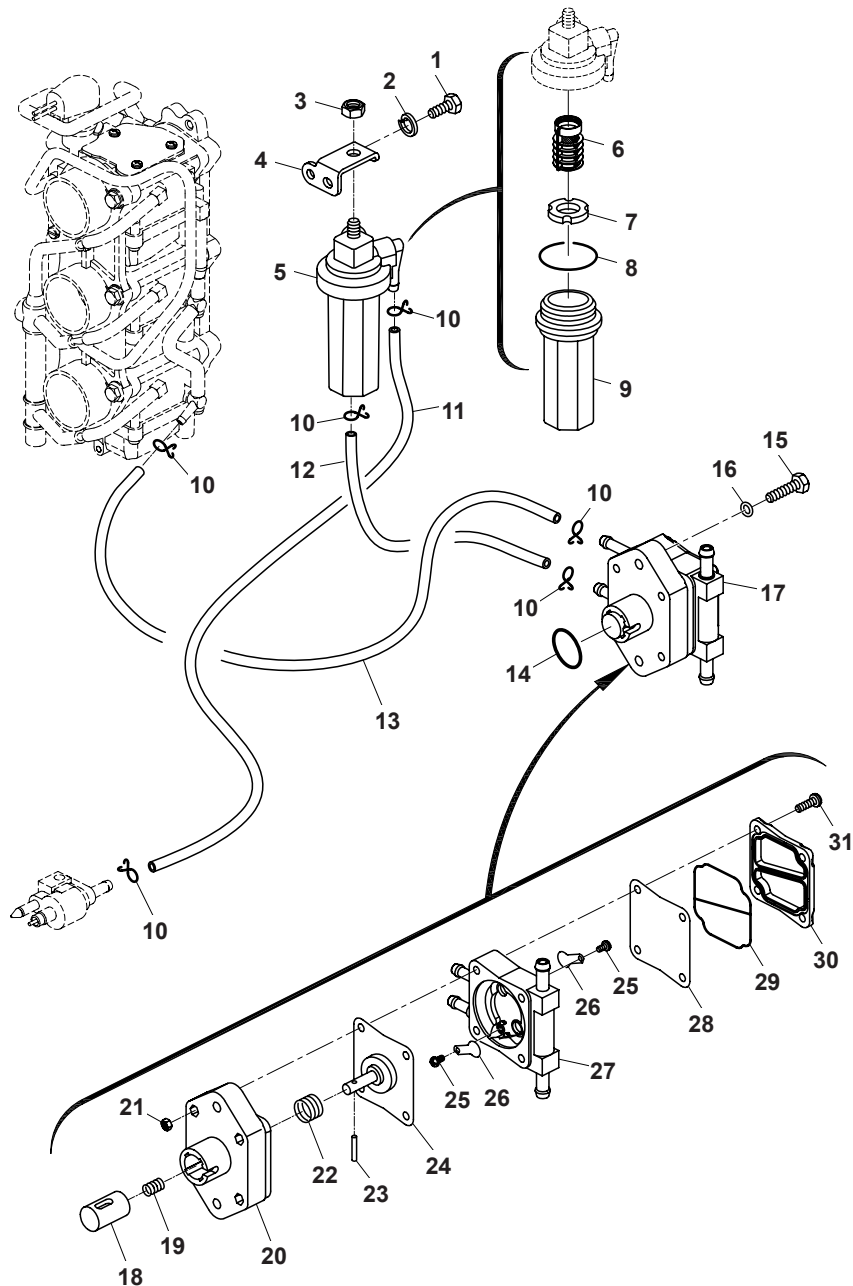
VÁLVULA / VALVE / VALVOLA

Nº	Ref.	Description	Quantity
1	PAF25-05050002	VALVE, EXHAUST	3
2	PAF25-05050003	WASHER, VALVE SPRING	6
3	PS2700.04.03	SEAL, VALVE STEM	6
4	PAF25-05050005	SPRING, VALVE	6
5	PAF15-07040006	RETAINER, VALVE SPRING	6
6	PAF15-07040007	COTTER, VALVE SPRING	12
7	PAF25-05050300	ROCKER ASSY	6
8	PAF25-05050301	ROCKER	6
9	PAF15-07040303	SCREW, VALVE ADJUSTING	6
10	PAF15-07040304	LOCK NUT	6
11	PAF25-05050001	VALVE, INTAKE	3
12	PAF40-05040001	SHAFT, ROCKER	1
13	PAF40-05040002	SUPPORTING PLATE, SPRING PLATE	2
14	PAF40-05040004	SPRING PLATE A, ROCKER	1
15	PAF25-05050012	SPRING PLATE B, ROCKER	2
16	PAF25-05050019	FLANGE BOLT, ROCKER SHAFT	4
17	PAF40-05040003	FIXED PLATE B, ROCKER SHAFT	1
18	PAF25-05050011	SPRING PLATE, ROCKER	1
19	PAF25-05050009	FIXED PLATE A, ROCKER SHAFT	1



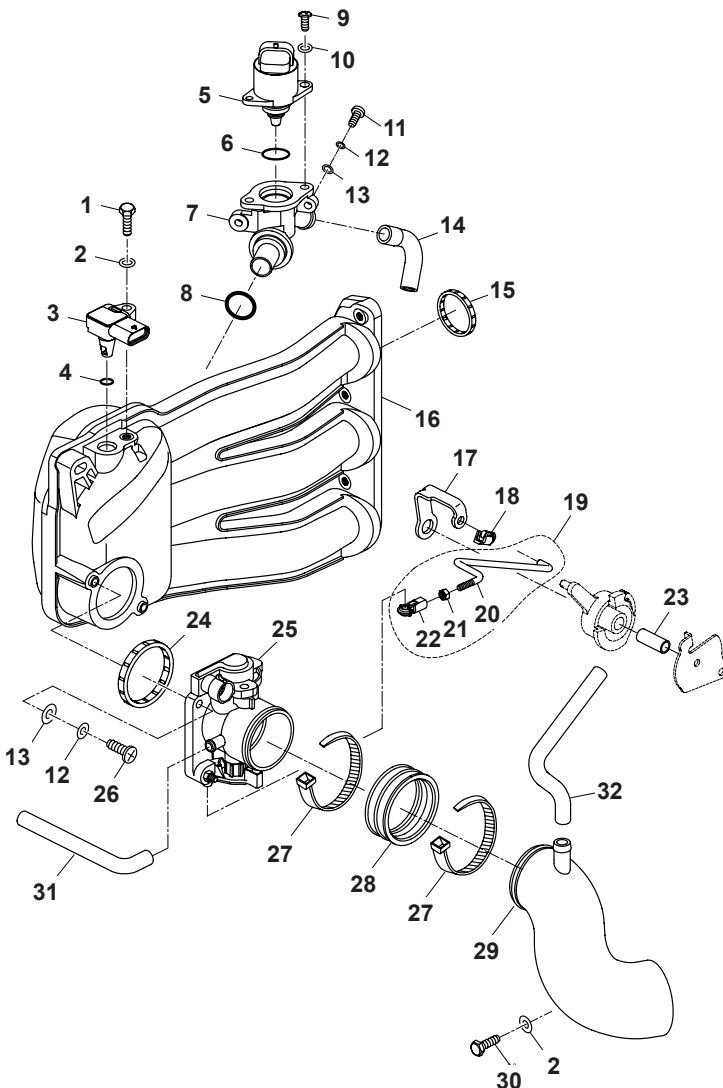
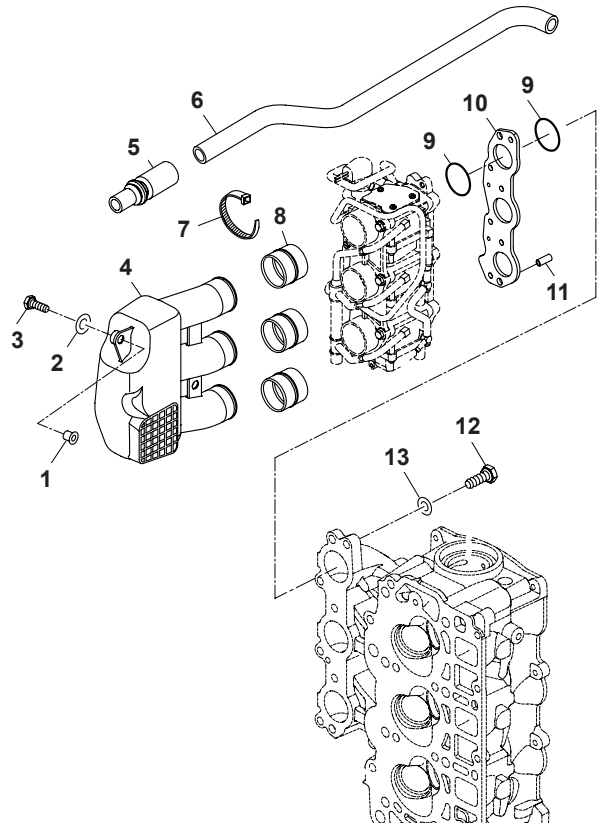
BOMBA COMBUSTIBILE / FUEL SYSTEM / POMPA BENZINA

N°	Ref.	Description	Quantity	N°	Ref.	Description	Quantity
1	PAGB/T5783-M6x14	BOLT M6x14	1	18	PAF25-05130004	PLUNGER	1
2	PAGB/T93-6	SPRING-WASHER 6	1	19	PAF25-05130003	SPRING, PLUNGER	1
3	PAGB/T6170-M8	NUT M8	1	20	PAF25-05130001	SEAT, FUEL PUMP	1
4	PAF40-05000036	BRACKET, FILTER CUP	1	21	PAGB/T6170-M5	NUT M5	4
5	PAT85-05000300	FILTBR CUP ASSY	1	22	PAF25-05130002	SPRING, DIAPHRAGM	1
6	PAF15-07080001	ELEMENT, FILTER	1	23	PAF25-05130008	ROLLER NEEDLE Ø4x16.5	1
7	PAT85-05000302	FLOATER	1	24	PAF25-05130100	DIAPHRAGM SHAFT ASSY	1
8	PAGB/T3452.1Ø32.5x1.8	SEAL, FILTER CUP	1	25	PAF4-04090011	SCREW M3x6	2
9	PAT85-05000301	CUP, FILTER	1	26	PAF4-04090005	UNILATERAL PLATE	2
10	PAF4-04000030	SPRING, FUEL PIPE B	6	27	PAF40-05050200	FUEL PUMP SHELL ASSY	1
11	PAF40-03000005EI	FUPL PIPE A Ø5 x 10 x 720 (EFI)	1	28	PAF25-05130005	UPPER DIAPHRAGM	1
12	PAF40-05000021EI	FUEL PIPE (EFFI)	1	29	PAF25-05130006	SEAL, FUEL PUMP	1
13	PAF40-05000019	FUEL PIPE B Ø5 x 10 x 400	1	30	PAF25-05130007	COVER, FUEL PUMP	1
14	PAGB/T3452.1-25x3.0	O-RING 25x3.0	1	31	PAGB/T818-M5x40	SCREW, PAN HEAD M5x40	4
15	PAGB/T5783-M6x30	BOLT M6x30	2				
16	PAGB/T97.1-6	WASHER 6	2				
17	PAF40-05050000	FUEL PUMP ASSY	1				



ADMISIÓN / INTAKE / ASPIRAZIONE

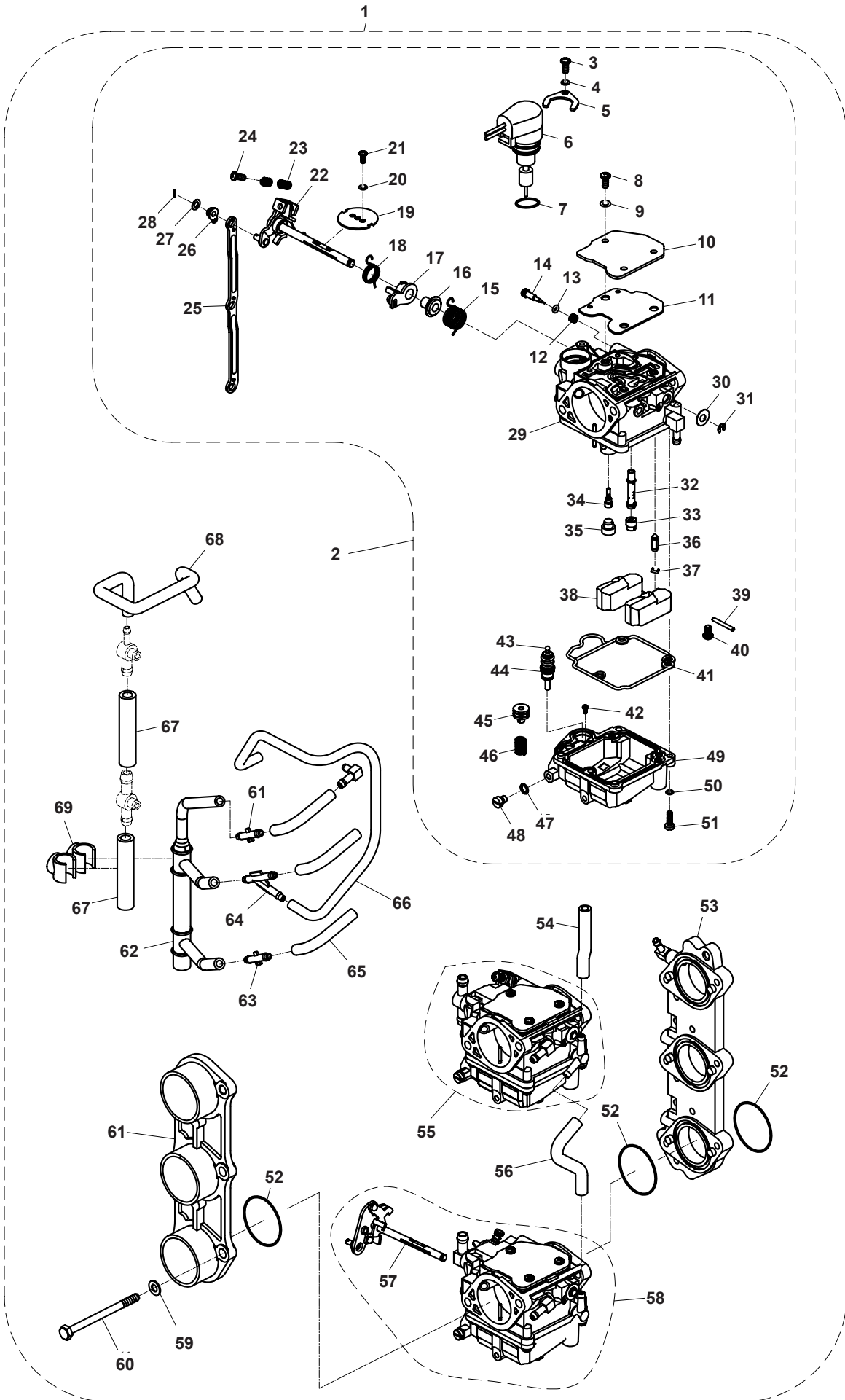
Nº	Ref.	Description	Quantity
1	PAF40-05000025	FLANGE BUSHING B	1
2	PAGB/T96-6	BIG WASHER 6	1
3	PAGB/T5783-M6x20	BOLT M6x20	1
4	PAF40-05000024	INTAKE SILENCER	1
5	PAF40-05000026	RUBBER JACKET, SHAPED PIPE	1
6	PAF40-05000027	SHAPED PIPE, FABRIC	1
7	PAHT4.5x200	CLAMP 4.5 x 200	6
8	PAF40-05000023	RUBBER JACKET, INTAKB SILENCER	3
9	PAGB/T3452.1-34.4x1.8	O-RING 34.4 x 1.8	6
10	PAF40-05000013	PADDING BLOCK, CARBURETOR	1
11	PAF40-05000014	DOWEL PIN 8 x 15.8	2
12	PAGB/T5783-M6x25	BOLT M6 x 25	6
13	PAGB/T97.1-6	WASHER 6	6



Nº	Ref.	Description	Quantity
1	PAGB/T5783-M6x20	BOLT M6x20	1
2	PAGB/T97.1-6	WASHER 6	3
3	PAF40-05090600E1	SENSOR, INTAKE TEMPERATURE	1
4	PAF40-05090601E1	O-RING, TEMP. SENSOR	1
5	PAF40-05090503E1	STEP MOTOR	1
6	PAF40-05090503-1E1	O-RING, STEP MOTOR	1
7	PAF40-05090501E1	IDLE CONTROL	1
8	PAF40-05090602E1	O-RING, IDLE CONTROL	1
9	PAGB/T818-M4x10	BOLT M4x10	2
10	PAGB/T97.1-4	WASHER 4	2
11	PAGB/T818-M5x14	BOLT M5x14	2
12	PAGB/T93-5	SPRING WASHER 5	4
13	PAGB/T97.1-5	WASHER 5	4
14	PAF40-05000026E1	IDLE CONTROL PIPE	1
15	PAF40-05090803E1	SEAL, INTAKE SILENCER	3
16	PAF40-05090800E1	INTAKE SILENCER ASSY	1
17	PAF40-05000039E1	ACTUATOR, THROTTLE	1
18	PAF15-07130314W	JOIN, CHOKE	1
19	PAF40-05000900E1	LINK ROD ASSY, ACCELERATOR	1
20	PAF40-05000901E1	LINK ROD, ACCELERATOR	1
21	PAGB/T6170-M5	NUT M5	1
22	PAT20-06050302	JOIN B, LINK ROD	1
23	PAF40-05000016E1	BUSHING, ACCELEROGRAPH	1
24	PAF40-05090403E1	SEAL, THROTTLE VALVE	1
25	PAF40-05090400E1	THROTTLE VALVE ASSY	1
26	PAGB/T818-M5x20	BOLT M5x20	2
27	PAHT4.0x300	CLAMP 4.0x300	2
28	PAF40-05090408E1	RUBBER BOOT, THROTTLE VALVE	1
29	PAF40-05000064E1	CONDUIT, THROTTLE VALVE	1
30	PAGB/T5783-M6x14	BOLT M6x14	1
31	PAF40-05000050E1	AIR PIPE A	1
32	PAF40-05000048E1	AIR PIPE	1

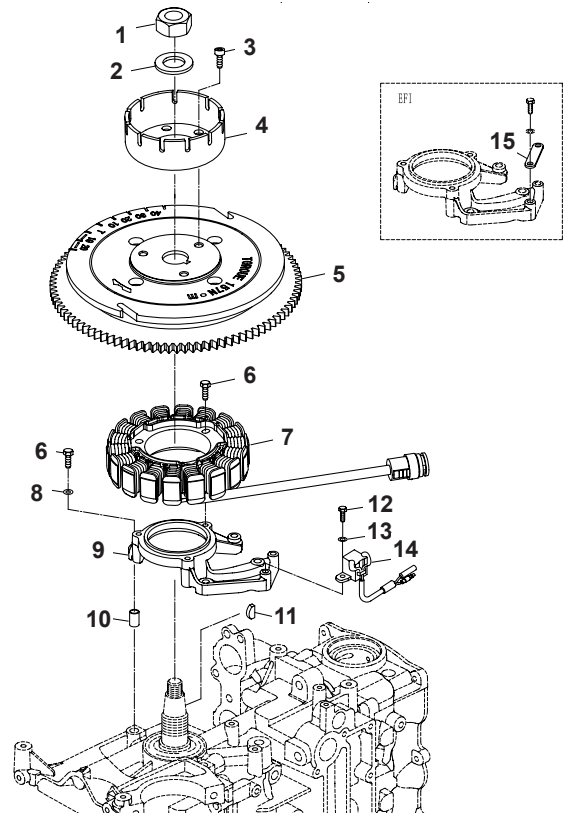
CARBURADOR / CARBURETOR ASSY / CARBURATORE

N°	Ref.	Description	Quantity
1	PAF40-05060000	CARBURETOR ASSY	1
2	PAF40-05061000	CARBURETOR A	1
3	PAGB/T818-M4x8	SCREW M4x8	1
4	PAGB/T93-4	SPRING-WASHER 4	1
5	PAF40-05061402	ENRCHING VALVE PLATE	1
6	PAF40-05061400	ENRCHING VALVE ASSY	1
7	PAF40-05061401	ENRCHING VALVE O-RING	1
8	PAGB/T818-M4x10	SCREW M4x10	9
9	PAGB/T93-4	SPRING-WASHER 4	9
10	PAF40-05061001	PLATE	3
11	PAF40-05061002	PLATE HERMETIC MAT	3
12	PAF40-05061019	SPRING, AIR ADJUSTING	3
13	PAF40-05061020	SCREW, AIR ADJUSTING O-RING	3
14	PAF40-05061021	SCREW, AIR ADJUSTING	3
15	PAF40-05061006	SPRING, SWING LINK	3
16	PAF40-05061005	ENRCHING VALVE TUBE	3
17	PAF40-05061004	ENRCHING VALVE FINGER	3
18	PAF40-05061003	ENRCHING VALVE SPRING	3
19	PAF40-05061007	APRON, ACCELERATOR	3
20	PAGB/T93-3	SPRING-WASHER 3	6
21	PAGB/T818-M3x6	SCREW M3x6	6
23	PAF40-05061203	BOLT SPRING, THROTTLE	
24	PAGB/T818-M4x10	SCREW M4x10	3
25	PAF40-05061200	CONNECTING ROD, ACCELERATOR	1
26	PAF40-05060004	WASHER NYLON	3
27	PAGB/T97.1-4	WASHER 4	3
28	PAGB/T91-1.2x10	PIN, COTTER 1.2x10	3
29	PAF40-05061100	CARBURETOR BODY	1
30	PAF40-05061008	WASHER OSCILLATING BAR	3
31	PAGB/T896-6	CIRCLIP 6	3
32	PAF40-05061015	MIAN NOZZLE	3
33	PAF40-05061016	MAIN JET	3
34	PAF40-05061017	JET, AIR ADJUSTING	3
35	PAF40-05061018	RUBBER CAP	3
36	PAF40-05061011	NEDDLE VALVE	3
37	PAF40-05061012	SPRING, NEDDLE VALVE	3
38	PAF40-05061013	FLOAT	3
39	PAF40-05061014	PIN, FLOAT	3
40	PAGB/T818-M4x8	SCREW M4x8	3
41	PAF40-05061014	SEAL, OIL CUP	3
42	PAGB/T818-M2X3	SCREW M2x3	3
43	PAF40-05061009	ENRCHING VALVE EJECTOR ROB	3
44	PAF40-05061010	ENRCHING VALVE MOREEN	3
45	PAF40-05061303	ENRCHING VALVE PLENGER	3
46	PAF40-05061304	ENRCHING VALVE SPRING	3
47	PAF40-05061306	GASKET, DRAIN SCREW	3
48	PAF40-05061305	DRAIN SCREW	3
49	PAF40-05061300	OIL CUP	3
50	PAGB/T93-4	SPRING-WASHER	12
51	PAGB/T818-M4x14	SCREW M4x14	12
52	PAGB/T3452.1-34.4X1.8	O-RING 34.4x1.8	9
53	PAF40-05060001	CARBURETOR ABUTMENT	1
54	PAF40-05060014	PIPING OIL B	1
55	PAF40-0506200	CARBURETOR B	1
56	PAF40-05060013	PIPING OIL A	1
57	PAF40-05063200	ACCELERATOR BAR ASSY C	1
58	PAF40-05063000	CARBURETOR C	1
59	PAGB/T97.1-6	WASHER 6	6
60	PAGB/T5782-M6X90	BOLT M6x90	6
61	PAF40-05060002	CARBURETOR INSPIRATION SOCKET	1
62	PAF40-05060007	INSPIRATION OIL	1
63	PAF40-05060011	INSPIRATION JOINT A	2
64	PAF40-05060012	INSPIRATION JOINT B	1
65	PAF40-05060008	INSPIRATION OIL A	3
66	PAF40-05060009	INSPIRATION OIL B	1
67	PAF40-05060006	FUEL LINE B	2
68	PAF40-05060005	FUEL LINE A	1
69	PAF40-05060010	OIL PLASTIC NIP	1

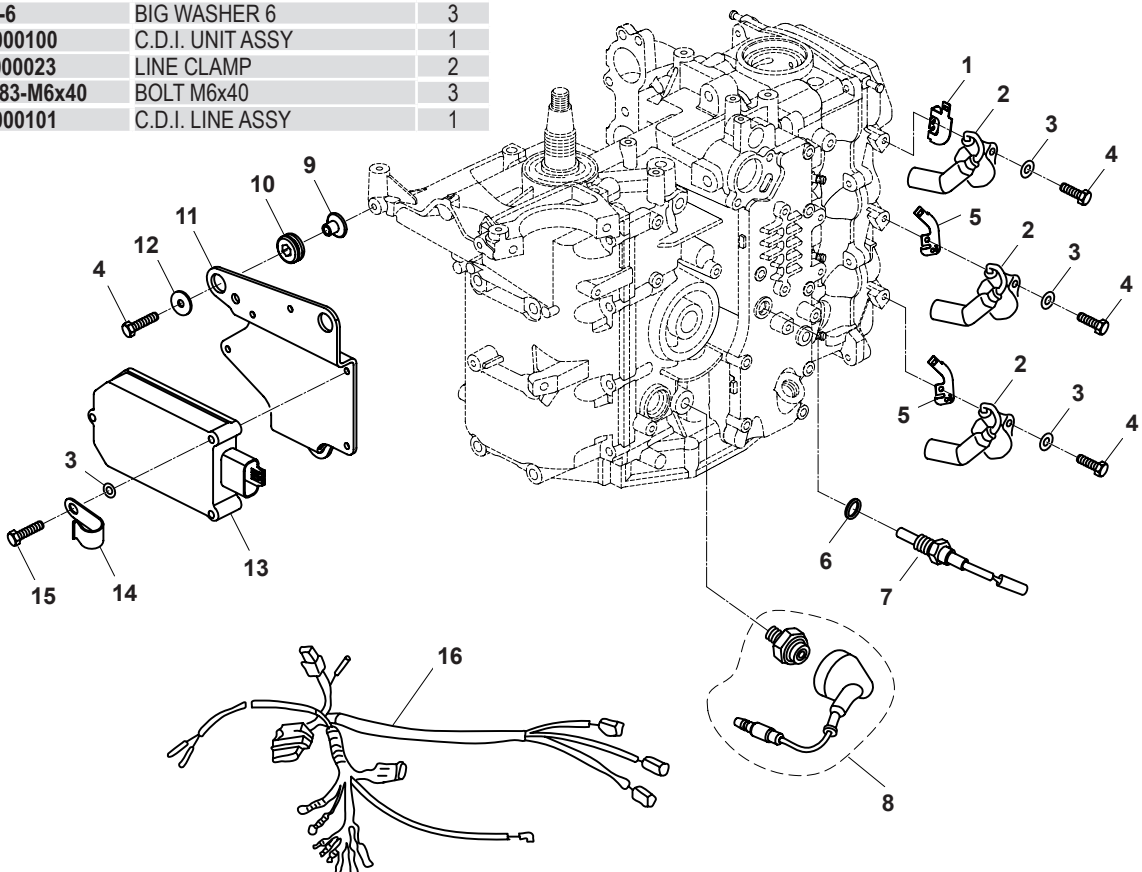


ELECTRICIDAD 1 / ELECTRICAL 1 / PARTE ELETTRICA 1

Nº	Ref.	Description	Quantity
1	PAF25-05000026	FLYWHEEL NUT	1
2	PAF25-05000025	WASHER, FLYWHEEL NUT	1
3	PAGB/T70.1-M8x12	BOLT M8x12	3
4	PAF40-05000010	PULLBY, STARTER	1
5	PAF40-05000700	FLYWHEEL	1
5	PAF40-05000700BI	FLYWHEEL (EFI)	
6	PAGB/T5783-M6x30	BOLT M6x30	7
7	PAF40-05000600EI	MAGNETO COIL ASSY (EFI)	
8	PAGB/T97.1-6	WASHER 6	4
9	PAF40-05000034	BRACKET, COIL	1
10	PAF8-00000005	DOWEL PIN 8x10	2
11	PAF25-05000024	WOODRUFF KEY, FLYWHEEL	1
12	PAGB/T5783-M5x16	BOLT M5x16	2
13	PAGB/T97.1-5	WASHER 5	2
14	PAF40-05000300	PULSER COIL ASSY	1
15	PAT85-05040004	PLATE B, PULSER COIL (EFI)	1

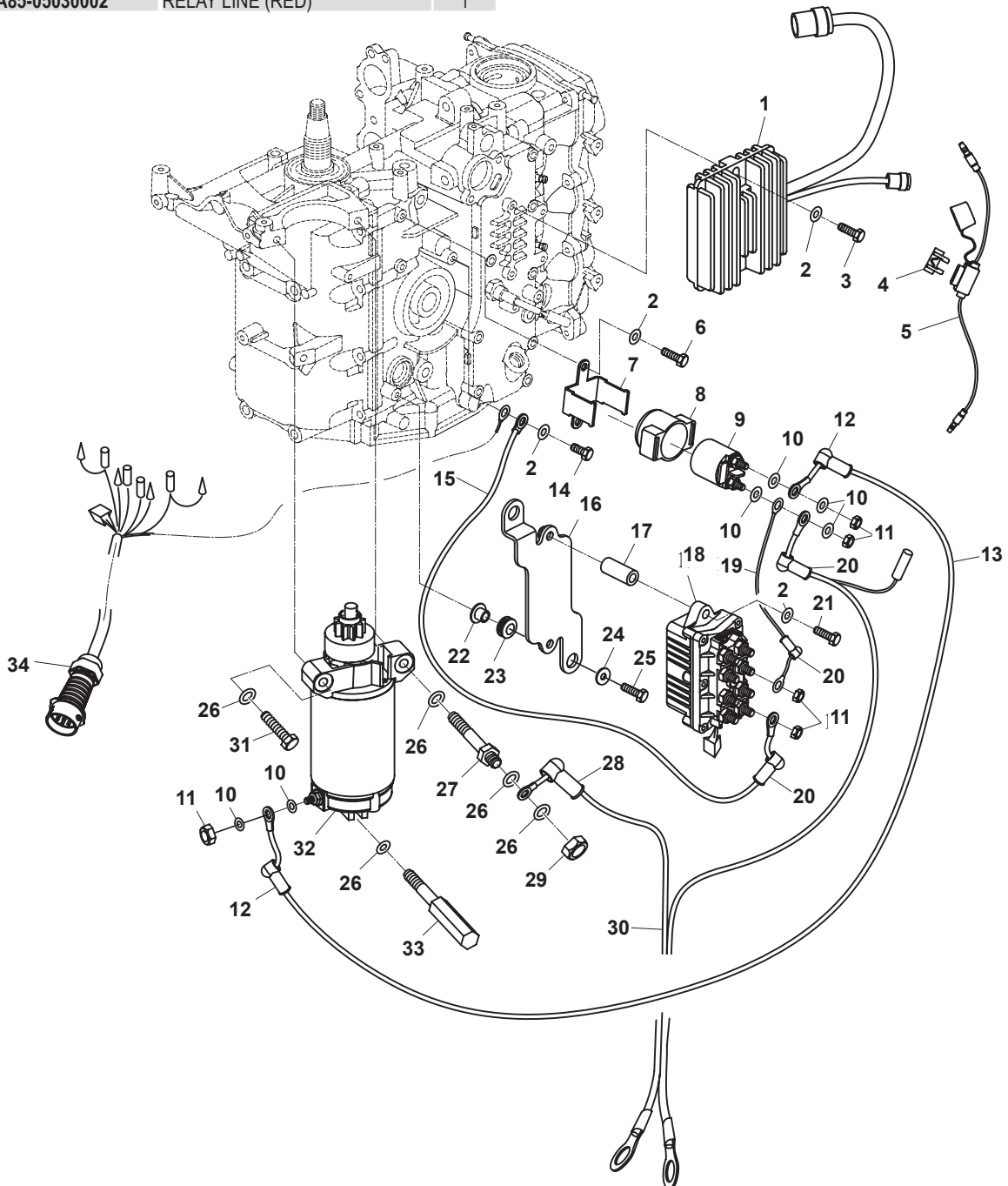


Nº	Ref.	Description	Quantity
1	PAF40-05000029	IGNITION COLL BRACKET A	1
2	PAF40-05000200	IGNITION COLL ASSY	3
3	PAGB/T97.1-6	WASHER 6	6
4	PAGB/T5783-M6x25	BOLT M6x25	6
5	PAF40-05000030	IGNITION COLL BRACKET B	2
6	PAGB/T3452.1-Ø8xØ1.9	O-RING Ø8xØ1.9	1
7	PAF40-05000400	THERMOSTAT ASSY	1
8	PAF40-05000042EI	OIL PRESSURE SENSER	1
9	PAF25-05090005	BUSH, IGNITION UNIT	3
10	PAF25-05090004	BUSH, DAMPING	3
11	PAF40-05000009	BRACKET, IGNITION UNIT	1
12	PAGB/T96-6	BIG WASHER 6	3
13	PAF40-05000100	C.D.I. UNIT ASSY	1
14	PAT36-04000023	LINE CLAMP	2
15	PAGB/T5783-M6x40	BOLT M6x40	3
16	PAF40-05000101	C.D.I. LINE ASSY	1



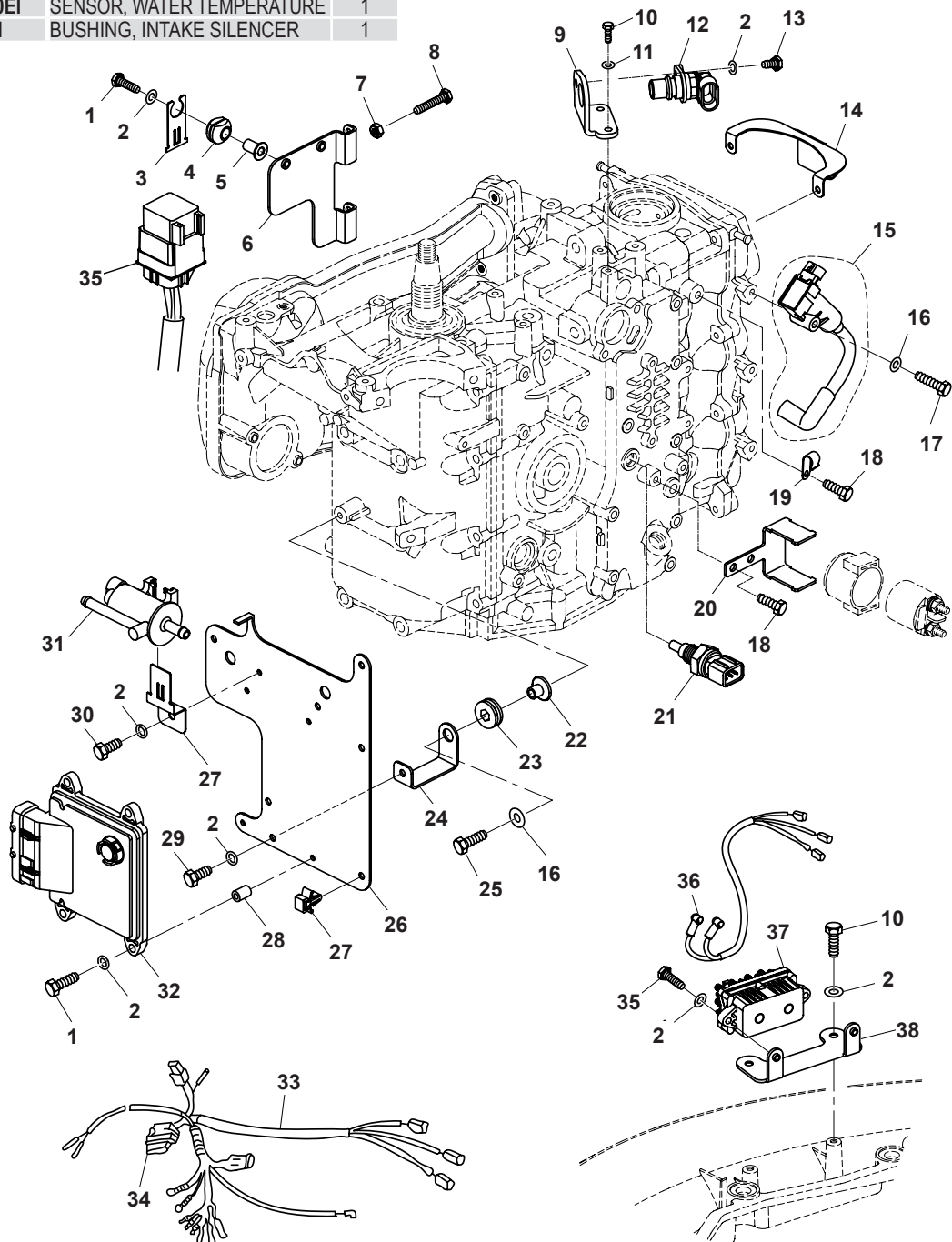
ELECTRICIDAD 2 / ELECTRICAL 2 / PARTE ELETTRICA 2

Nº	Ref.	Description	Quantity	Nº	Ref.	Description	Quantity
1	PAF40-05000500EI	RECTIFIER ASSY (EFI)		20	PAF25-05170202W	JACKET, CONNECT LINE	5
2	PAGB/T97.1-6	WASHER 6	9	21	PAGB/T5783-M6x35	BOLT M6x35	2
3	PAGB/T5783-M6x30	BOLT M6x30	2	22	PAF20-05000903W	BUSH	2
4	PAF15-07150001W	FUSE WIRE (20A)	1	23	PAF20-05000902W	DAMPER, BUSH	2
5	PAF25-05090100W	FUSE ASSY	1	24	PAGB/T96-6	WASHER 6	2
6	PAGB/T5783-M6x16	BOLT M6x16	2	25	PAGB/T5783-M6x20	BOLT M6x20	2
7	PAF25-07150302W	BRACKET, RELAY	1	26	PAGB/T97.1-8	WASHER 8	5
8	PAF15-07150301W	JACKET, RELAY	1	27	PAF25-05170001W	FIXATION BOLT, MOTOR	1
9	PAF15-07150300W	RELAY, MOTOR	1	28	PAF25-05170101W	JACKET	1
10	PAGB/T97.1-6	WASHER 6 (COPPER) (HSn62-1)	6	29	PAGB/T6171-M8	NUT M8	1
11	PAGB/T6170-M6	NUT M6 (COPPER) (HSn62-1)	5	30	PAT85-05000023	CONNECTION LINE, POWER	1
12	PAF25-05170201W	JACKET A	2	31	PAGB/T5783-M8x50	BOLT M8x50	1
13	PAT85-05000022	CONNECTION LINE, MOTOR	1	32	PAF40-05000800	STARTING MOTOR	1
14	PAGB/T5783-M6x12	BOLT M6x12	2	33	PAF25-05170002W	COLUMNAR BOLT M8	1
15	PAF40-05030005	RELAY LINE	1	34	PAF40-05030500EI	C.D.I CABLE ASSY (EFI)	
16	PAF40-05000046	RELAY BRACKET	1				
17	PAF25-05000037	BRACKET BUSH	2				
18	PAT85-05030200	RELAY	1				
19	PA85-05030002	RELAY LINE (RED)	1				



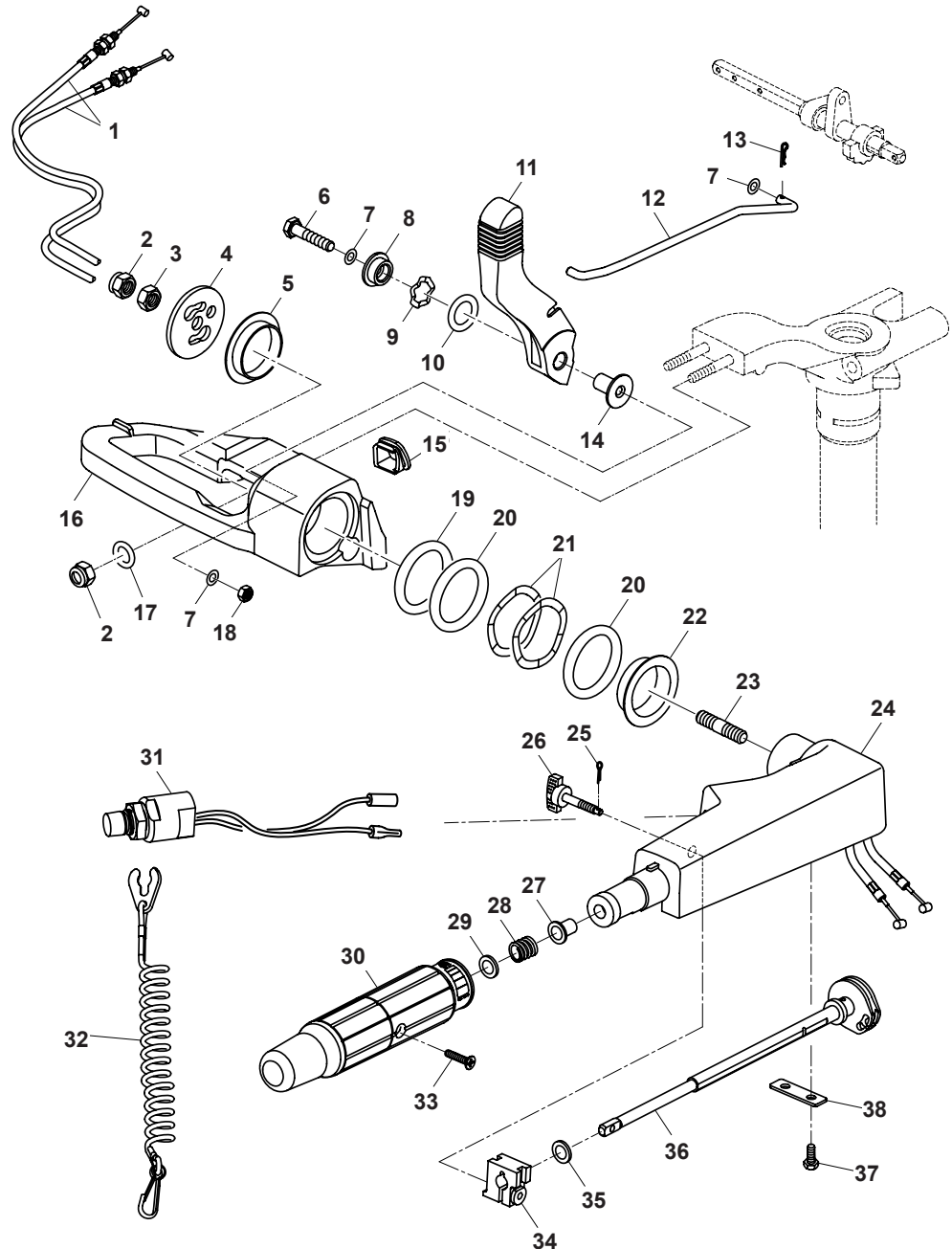
ELECTRICIDAD 3 / ELECTRICAL 3 / PARTE ELETTRICA 3

N°	Ref.	Description	Quantity	N°	Ref.	Description	Quantity
1	PAGB/T5783-M6x25	BOLT M6x25	6	23	PAF8-05000007	DAMPER	3
2	PAGB/T97.1-6	WASHER 6	13	24	PAF40-05000009-2EI	BRACKET, FIXED PLATE	1
3	PAF40-05091401EI	BRACKET, MAIN RELAY	2	25	PAGB/T5783-M6x20	BOLT M6x20	5
4	PAF40-05091402EI	DAMPER, MAIN RELAY	2	26	PAF40-05000009-1EI	FIXED PLATE, ECU	1
5	PAT40-05000028	TUBE, IGNITER	2	27	PAF40-05000065EI	CLAMP D	4
6	PAF40-05000060BI	FIXED PLATE, MAIN RELAY	1	28	PAF8-05000006	BUSHING	4
7	PAGB/T6170-M6	NUT M6	2	29	PAGB/T5783-M6x12	BOLT M6x12	2
8	PAGB/T5783-M6x35	BOLT M6x35	2	30	PAF40-05000049EI	FIXED PLATE, MAGNETIC VALVE	1
9	PAF40-05000063EI	PLATE, SENSOR	1	31	PAF40-05091500EI	MAGNETIC VALVE, CARBON POT	1
10	PAGB/T5783-M5x16	BOLT M5x16	2	32	PAF40-05090100EI	ECU	1
11	PAGB/T97.1-5	WASHER 5	2	33	PAF40-05001000EI	C.D.I LINE ASSY	1
12	PAF40-05091600EI	SENSOR, CRANKSHAFT POSITION	1	34	PAF40-05001000-1EI	FUSE WIRE (40A)	1
13	PAGB/T5783-M6x10	BOLT M6x10	1	34	PAF40-05001000-2EI	FUSE WIRE (20A)	1
14	PAF40-05000059EI	CLAMP C	1	34	PAF40-05001000-3EI	FUSB WIRE (ISA)	1
15	PAF40-05090200EI	IGNITION COIL ASSY	3	34	PAF40-05001000-4EI	FUSE WIRE (7.5A)	1
16	PAF8-05000021	WASHER	3	35	PAF40-05091400EI	MAIN RELAY	2
17	PAGB/T5783-M6x40	BOLT M6x40	3	36	PAF40-05001200EI	CONNECTION LINE,TILT	1
18	PAGB/T5783-M6x16	BOLT M6x16	5	37	PAT85-05030200	RELAY ASSY	1
19	PAF40-05000003	CLAMP	1	38	PAF40-03000013EI	FIXED BRACKET, TILT RELAY	1
20	PAF40-05000055EI	BRACKET, RELAY	1				
21	PAF40-05090700EI	SENSOR, WATER TEMPERATURE	1				
22	PAF15-07000021	BUSHING, INTAKE SILENCER	1				



DIRECCIÓN / STEERING / STERZO

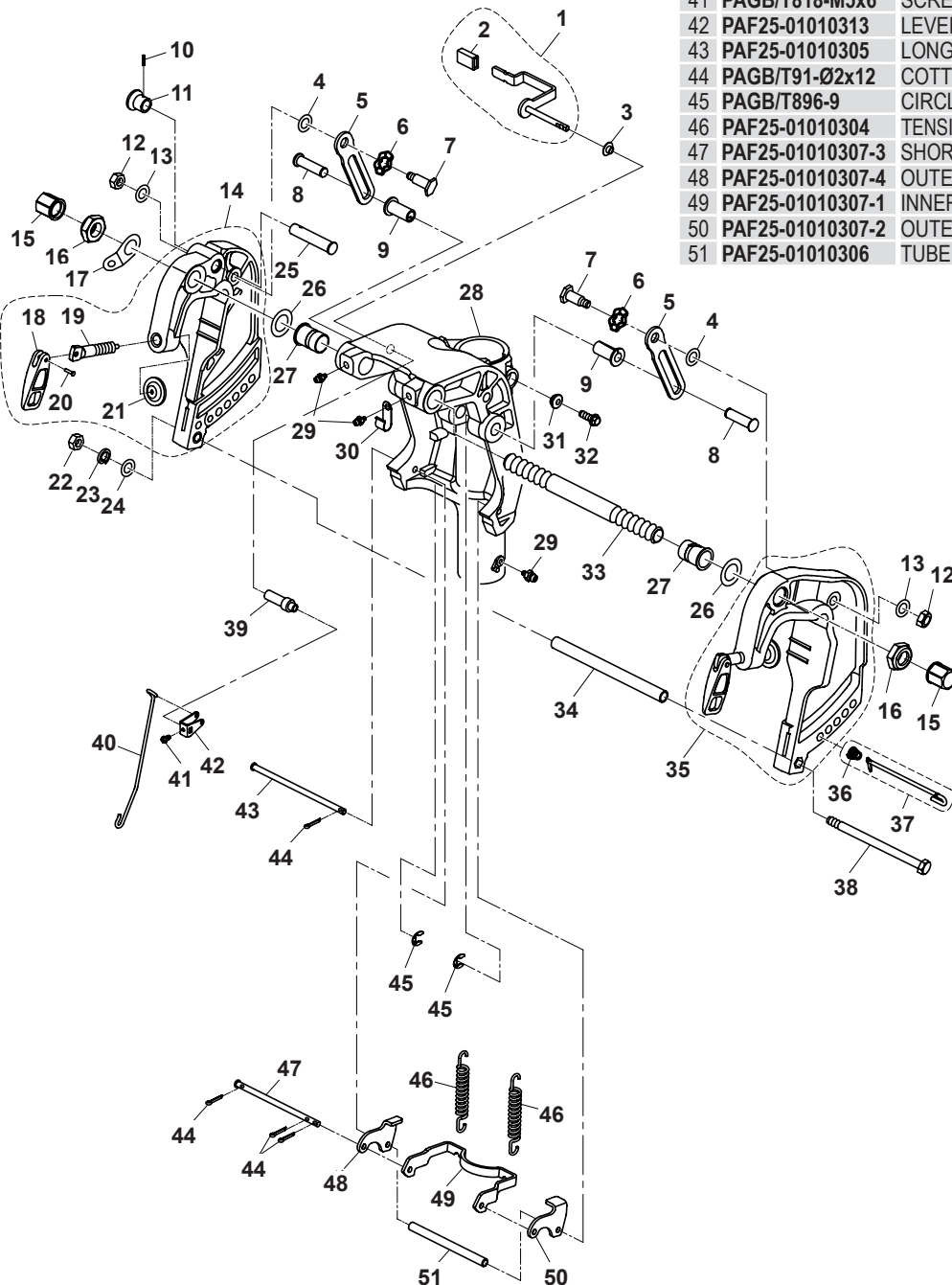
Nº	Ref.	Description	Quantity	Nº	Ref.	Description	Quantity
1	PAF40-01030101	THROTTLE CABLE ASSY	1	20	PAF15-01000008	WASHER, BUSHING	2
2	PAGB/T889.2-M10x1.25	LOCKNUT M10x1.25	3	21	PAF15-01000009	WAVE WASHER, BUSHING	2
3	PAGB/T6170-M10x1.25	NUT M10x1.25	1	22	PAF15-01000007	BUSHING, HANDLE (HIGH)	1
4	PAF15-01000013	ORIENTATION PLATE, HANDLE	1	23	PAF15-01030003	BOLT, DOUBLE HEAD	1
5	PAF15-01000011	BUSHING, HANDLE (LOW)	1	24	PAF15-01030001	HANDLE, STEERING	1
6	PAGB/T5782-M6x45	BOLT M6x45	1	25	PAGB/T91-Ø1.6x12	COTTER PIN Ø1.6x12	1
7	PAGB/T97.1-6	WASHER 6	3	26	PAF15-01030200	BOLT, FRICTION ADJUSTING	1
8	PAT40-00000006	BLOCK, HANDLE	1	27	PAF4-01090006	BUSH	1
9	PAT40-00000005	WAVE WASHER	1	28	PAF4-01090007	SPRING, COMPRESSION	1
10	PAT40-00000004	WASHER, HANDLE	1	29	PAGB/T818-10	SMALL WASHER 10	1
11	PAT40-00000002	HANDLE, GEAR SHIFT	1	30	PAF4-01090300	STEERING HANDLE ASSY	1
12	PAF40-00000001	CONNECTING ROD, GEAR SHIFT	1	31	PAT15-01020003	ENGINE STOP SWITCH ASSY	1
13	PAF15-00000012	CLIP	1		PAF40-01020003BI	ENGINE STOP SWITCH ASSY	
14	PAT40-00000003	FLANGE TUBE	1	32	PAF4-01090401	STOPER, HANG ROPE ASSY	1
15	PAT40-01020001	JACKET, HANDLE BRACKET	1	33	PAGB/T820-M5x25	SCREW, PAN HEAD M5x25	1
16	PAF25-01030001	BRACKET, HANDLE	1	34	PAF4-01090003	FRICTION	1
17	PAGB/T97.1-10	WASHER 10	2	35	PAF4-01090004	NYLON WASHER	1
18	PAGB/T6170-M6	NUT M6	1	36	PAF15-01030100	THROTTLE LEVER ASSY	1
19	PAF15-01000012	NYLON WASHER, BUSHING	1	37	PAGB/T5783-M6x20	BOLT M6x20	2
				38	PAF15-01030005	PLATE, THROTTLE LEVER	1



SOPORTE MOTOR 1 / BRACKET 1 / SUPPORTO MOTORE 1

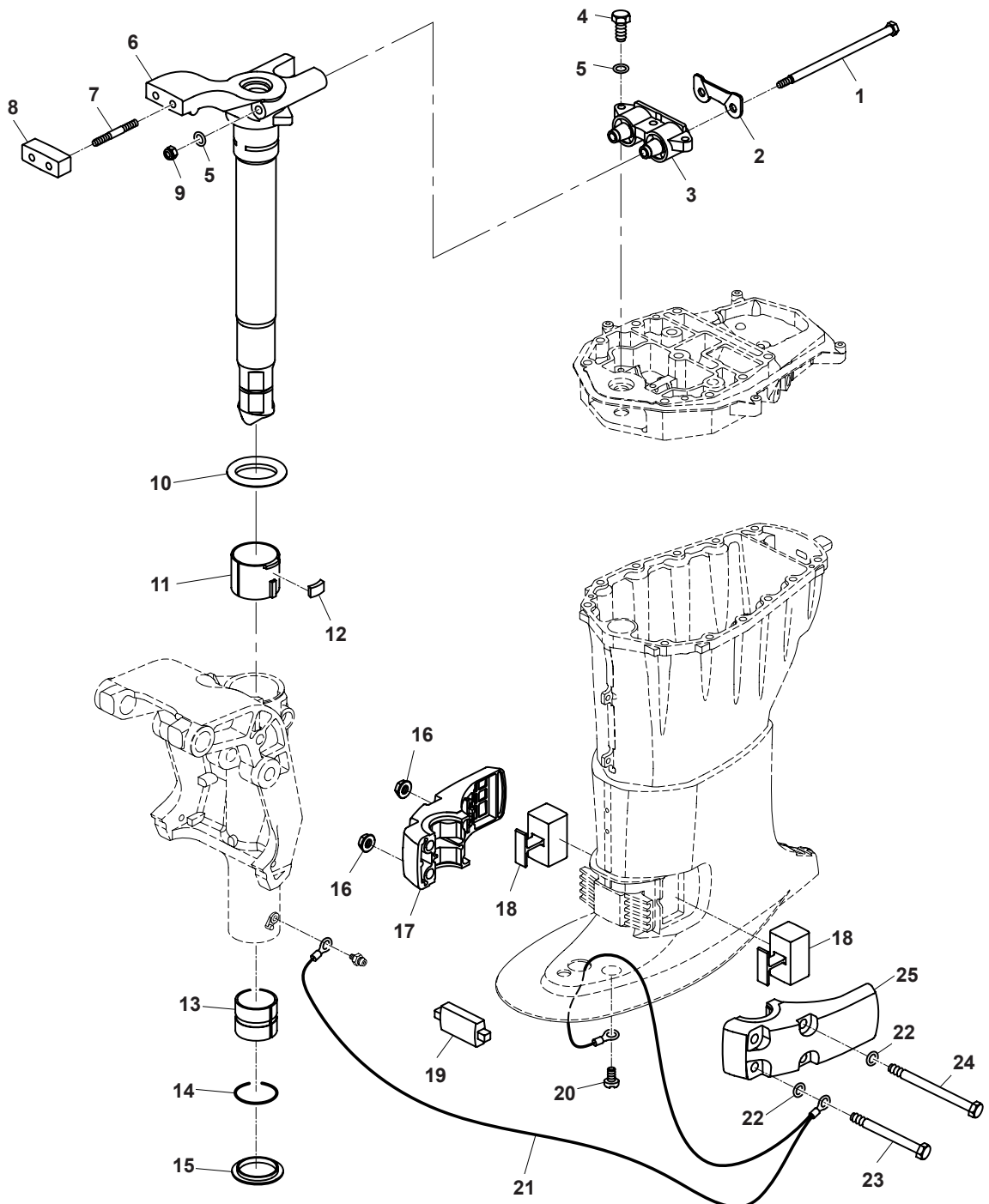
N°	Ref.	Description	Qty
1	PAF25-01010312	LOCKING HANDLE ASSY	1
2	PAF15-01010305-3	JACKET, HANDLE	1
3	PAF25-01010311	BUSHING, LOCKING HANDLE	1
4	PAF25-01010009	WASHER, NYLON	2
5	PAF25-01010321	DETENT PLATE, TILT	2
6	PAF25-01010008	WAVE WASHER	2
7	PAF25-01010007	SCREW, PROLATE HEXAGON	2
8	PAF25-01010318	PIN, DETENT PLATE	2
9	PAF25-01010319	NYLON BUSHING, PIN	2
10	PAGB/T879.2- 3x18	PIN 3x18	1
11	PAT40-01010102	LIMITING HANDLE, TILT	1
12	PAGB/T6182-M8	LOCKING NUT M8	2
13	PAF25-01010010	THICK WASHER 8	2
14	PAF25-01010200	CLAMP BRACKET ASSY (RIGHT)	1
15	PAF25-01010011	PLASTIC NUT	2
16	PAF15-01010007	SELF-LOCKING NUT, BRACKET	2
17	PAF25-01010004	PLATE, TWO HOLE	1
18	PAF25-01010102	CLAMP HANDLE, STERN	2
19	PAF25-01010104	CLAMP SCREW, STERN	2
20	PAF25-01010103	RIVET, CLAMP HANDLE	2

N°	Ref.	Description	Qty
21	PAF4-01010003	CLAMP PAD	2
22	PAGB/T6170-M8	NUT M8	1
23	PAGB/T93-8	WASHER, SPRING 8	1
24	PAGB/T97.1-8	WASHER 8	1
25	PAT40-01010101	LIMITING SHAFT, TILT	1
26	PAF25-01010003	WASHER	2
27	PAF25-01010002	BUSH, NYLON	2
28	PAF25-01010301L	ROTARY BRACKET (L)	1
29	PAGB/T7940.1-M6	OIL CUP M6	3
30	PAT36-04000023	LINE CLAMP	1
31	PAF25-01010302	SEAL, BOLT	1
32	PAF25-01010303	FLANG BOLT M8x20	1
33	PAF15-01010001	BOLT, CLAMP BRACKET	1
34	PAF25-01010006	TUBE, BOLT	1
35	PAF25-01010100	CLAMP BRACKET ASSY (LEFT)	1
36	PAF25-01010403	CONICAL SPRING	1
37	PAF25-01010400	LIMITING ROD ASSY	1
38	PAF25-01010005	LONG BOLT M8x255	1
39	PAF25-01010309	BUSHING, LOCKING HANDLE	1
40	PAF25-01010315	CONNECTING ROD, BRACKET	1
41	PAGB/T818-M5x6	SCREW, PAN HBAD M5x6	1
42	PAF25-01010313	LEVER, ANGLE ORIENTATION	1
43	PAF25-01010305	LONG SHAFT, LOCKING FRAME	1
44	PAGB/T91-Ø2x12	COTTER PIN Ø2x12	4
45	PAGB/T896-9	CIRCLIP 9	2
46	PAF25-01010304	TENSION SPRING, LOCKING FRAME	2
47	PAF25-01010307-3	SHORT SHAFT, OUTER BRACKET	1
48	PAF25-01010307-4	OUTER BRACKET (B)	1
49	PAF25-01010307-1	INNER BRACKET	1
50	PAF25-01010307-2	OUTER BRACKET (A)	1
51	PAF25-01010306	TUBE, LONG SHAFT	1



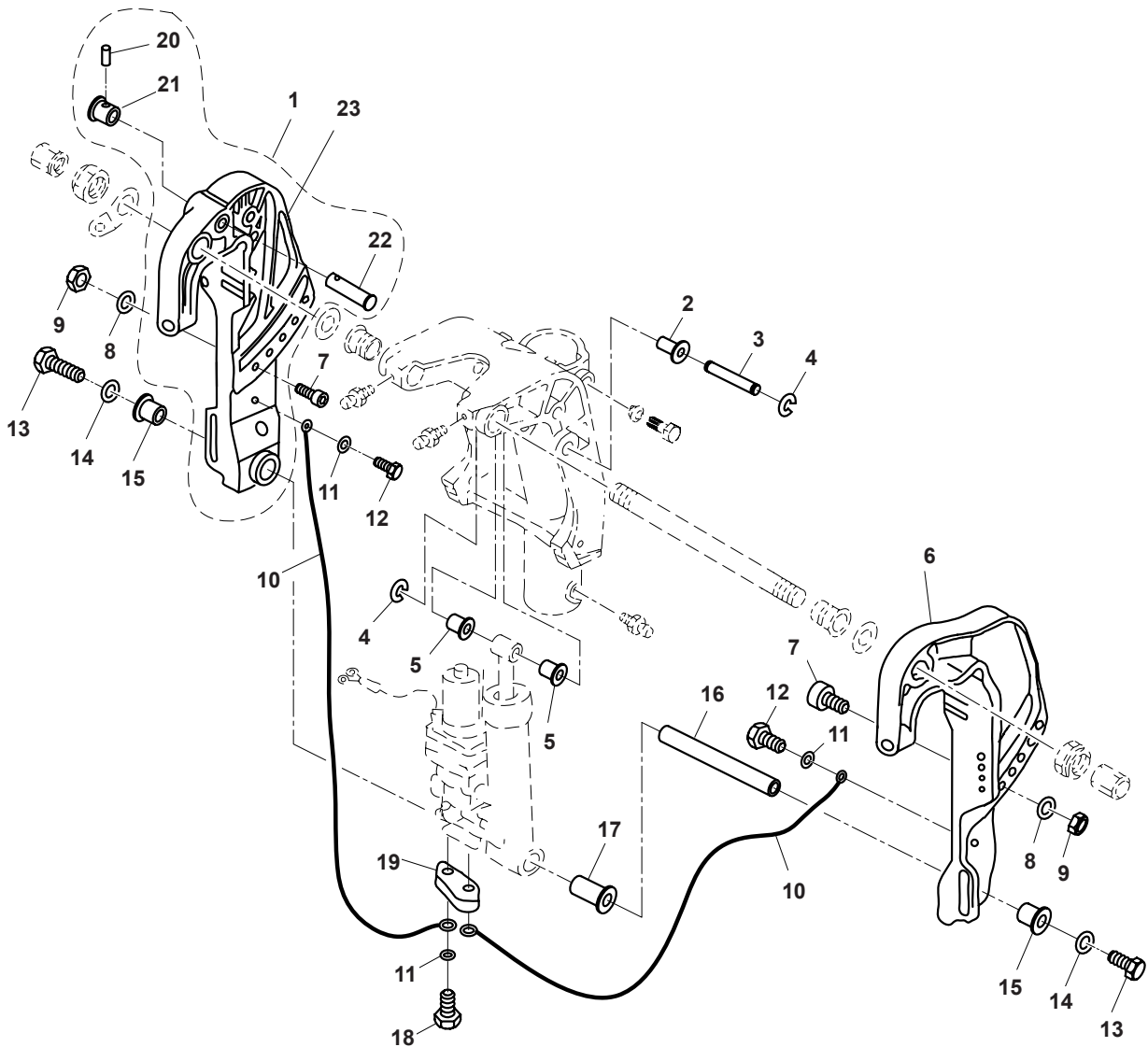
SOPORTE MOTOR 2 / BRACKET 2 / SUPPORTO MOTORE 2

Nº	Ref.	Description	Quantity	Nº	Ref.	Description	Quantity
1	PAF25-02000016	LONG BOLT	2	13	PAF25-01000004L	LOWER BUSHING, ROTARY BRACKET	1
2	PAF25-02000015	PLATE, ABSORBER	1	14	PAF25-01000005L	O-RING, LOWER BUSHING	1
3	PAF25-02030000	SHOCI ABSORBER ASSY, DOUBLE HOLE	1	15	PAF25-01000006L	LOWER WASHER, ROTARY BRACKET	1
4	PAGB/T5783-M8x30	BOLT M8x30	3	16	PAF25-00000005	NUT M10	4
5	PAGB/T97.1-8	WASHER 8	5	17	PAF25-00000016	SHELL, MOUNT DAMPER (RIGHT)	1
6	PAF25-01020001L	BRACKET, STEERING (L)	1	18	PAF25-00000002	MOUNT DAMPER, LEFT AND RIGHT	2
7	PAF40-01020002	BOLT, DOUBLE HEAD (BM)	2	19	PAF25-00000003	MOUNT DAMPER, FRONT	1
	PAF25-01020002	BOLT, DOUBLE HEAD (FW)	2	20	PAGB/T818-M6x8	SCREW M6x8	1
8	PAF40-01000004	PADDING BLOCK, STEERING BRACKET (BM)	1	21	PAF25-02000002	TIGHTWIRE, EARTHING	1
9	PAGB/T889.2-M8x1.25	LOCKNUT M8x1.25	2	22	PAGB/T97.1-10	WASHER 10	4
10	PAF25-01000003	UPPER WASHER, ROTARY BRACKET	1	23	PAF25-00000007	BOLT M10x80	2
11	PAF25-01000001	UPPER BUSHING, ROTARY BRACKET	1	24	PAF25-00000006	BOLT M10x120	2
12	PAF25-01000002	FRICION PAD ASSY	1	25	PAF25-00000015	SHELL, MOUNT DAMPER (LEFT)	1



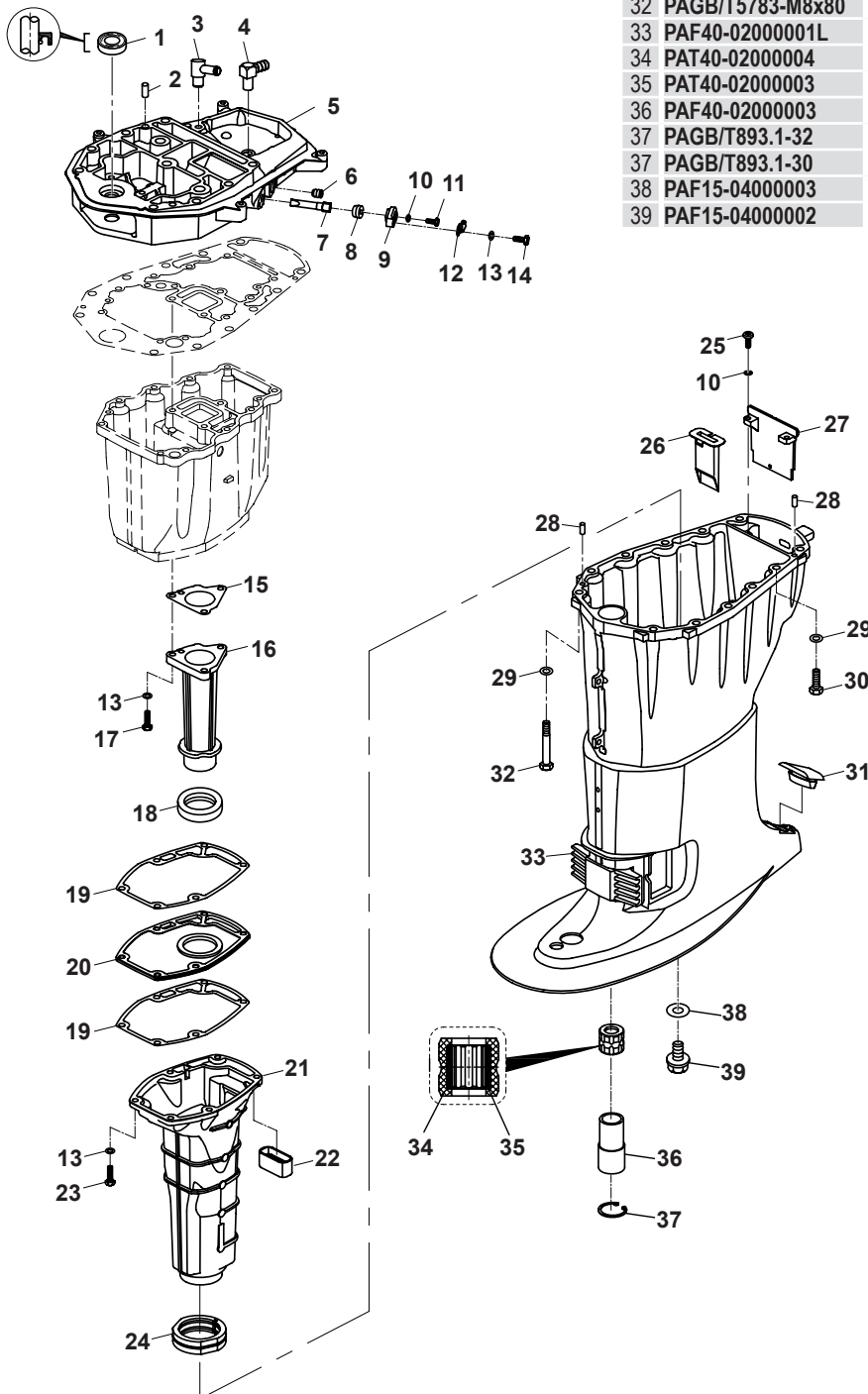
SOPORTE MOTOR 3 / BRACKET 3 / SUPPORTO MOTORE 3

N°	Ref.	Description	Quantity	N°	Ref.	Description	Quantity
1	PAT40-01010100-A	RIGHT BRACKET ASSY	1	13	PAGB/T5783-M8x16	BOLT M8x16	2
2	PAE10-01010003	BUSH	1	14	PAE10-01010007	WASHER, PLATE	2
3	PAE10-01010001	PIN	1	15	PAE10-01010005	BUSH A	2
4	PAGB/T896-9	CIRCLIP 9	2	16	PAE10-01010004	PIN	1
5	PAF25-01010324	BUSH	2	17	PAE10-01010006	BUSH B	1
6	PAT40-01010001-A	LEFT BRACKET	1	18	PAGB/T5783-M6x25	BOLT M6x25	2
7	PAGB/T10.1-M10x1.5x45	SCREW M10x1.5x45	2	19	PAE10-01010008	ANODE	1
8	PAGB/T97.1-10	WASHER 10	2	20	PAGB/T879.2-Ø3x18	PIN 1&3x18	1
9	PAGB/T889.1-M10x1.5	NUT, SELF-LOCKING M10x1.5	2	21	PAT40-01010102	HANDLE	1
10	PAE10-01010009	WIRE, ANODE	2	22	PAT40-01010101	LIMITATIVE POSITION SHAFT	1
11	PAGB/T97.1-6	WASHER 6	4	23	PAT40-01010002-A	RIGHT BRACKET	1
12	PAGB/T5783-M6x10	BOLT M6x10	2				



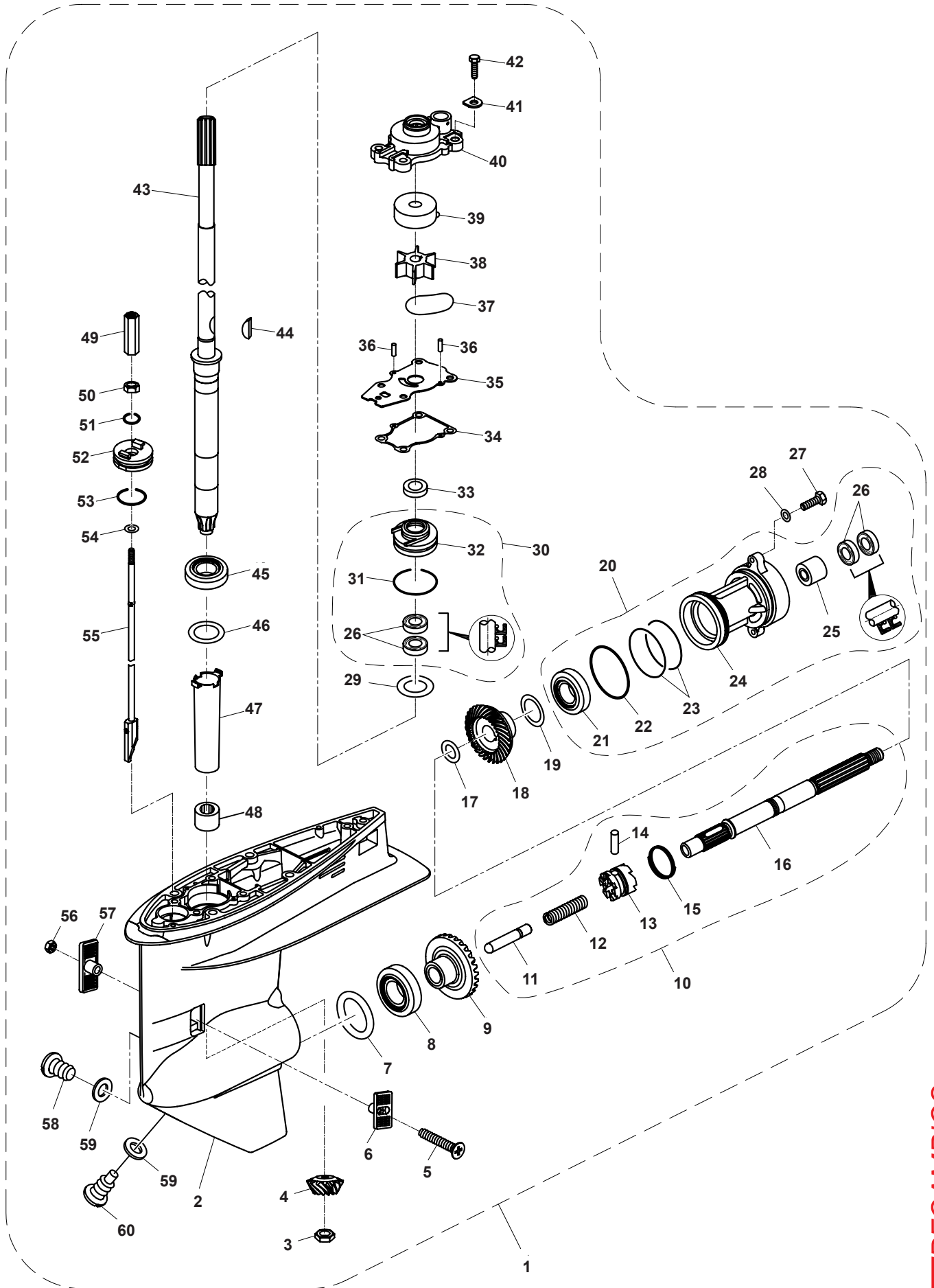
COLA SUPERIOR / UPPER CASING / PARTE ALTA PIEDE

Nº	Ref.	Description	Quantity	Nº	Ref.	Description	Quantity
1	PAF25-02010002	OIL SEAL 16x30x6	1	17	PAGB/T5783-M6x50	BOLT M6x50	3
2	PAF25-00000014	PIN Ø8x12	2	18	PAF40-02010006	SEAL RING, EXHAUST PIPE	1
3	PAF15-04000005	WATER NOZZLE	1	19	PAF40-02010007	GASKET, CLAPBOARD	2
4	PAF25-02010003	JOINT B, GAS PIPE	1	20	PAF40-02010008	CLAPBOARD	1
5	PAF40-02010001	SEAT, OUTLET MANIFOLD	1	21	PAF40-02010009L	OUTLET MANIFOLD	1
6	PAF15-07010005	PLUG 1/4	1	22	PAF40-02000008	RUBBER JACKET B, OUTLET MANIFOLD	1
7	PAF25-02010005	ANODE	1	23	PAGB/T5783-M6x25	BOLT M6x25	6
8	PAF15-07010009	SEAL, ANODE	1	24	PAF40-02000007	RUBBER JACKET A, OUTLET MANIFOLD	1
9	PAF15-07010011	COVER, ANODE	1	25	PAGB/T818-M5x16	SCREW M5x16	2
10	PAGB/T97.1-5	WASHER 5	3	26	PAF40-02000004	EXHAUST GUIDE, PLASTIC	1
11	PAGB/T5783-M5x12	BOLT M5x12	1	27	PAF25-02000003	CLAPBOARD, EXHAUST	1
12	PAF15-07010012	PLATE, ANODE	1	28	PAF15-00000006	PIN Ø6x12	2
13	PAGB/T97.1-6	WASHER 6	10	29	PAGB/T97.1-8	WASHER 8	10
14	PAGB/T5783-M6x20	BOLT M6x20	1	30	PAGB/T5783-M8x30	BOLT M8x30	4
15	PAF25-02000011	GASKET, EXHAUST PIPE	1	31	PAF40-00000002	RUBBER PLUG, UPPER CASING	1
16	PAF40-02010005	EXHAUST PIPE	1	32	PAGB/T5783-M8x80	BOLT M8x80	8
				33	PAF40-02000001L	UPPER CASING (L)	1
				34	PAT40-02000004	RUBBER BUSHING	1
				35	PAT40-02000003	BUSHING, DRIVE SHAFT	1
				36	PAF40-02000003	JACKET, DRIVE SHAFT	1
				37	PAGB/T893.1-32	CIRCLIP 32	1
				37	PAGB/T893.1-30	CIRCLIP 30	1
				38	PAF15-04000003	WASHER, BOLT	1
				39	PAF15-04000002	BOLT, OIL DRAIN	1



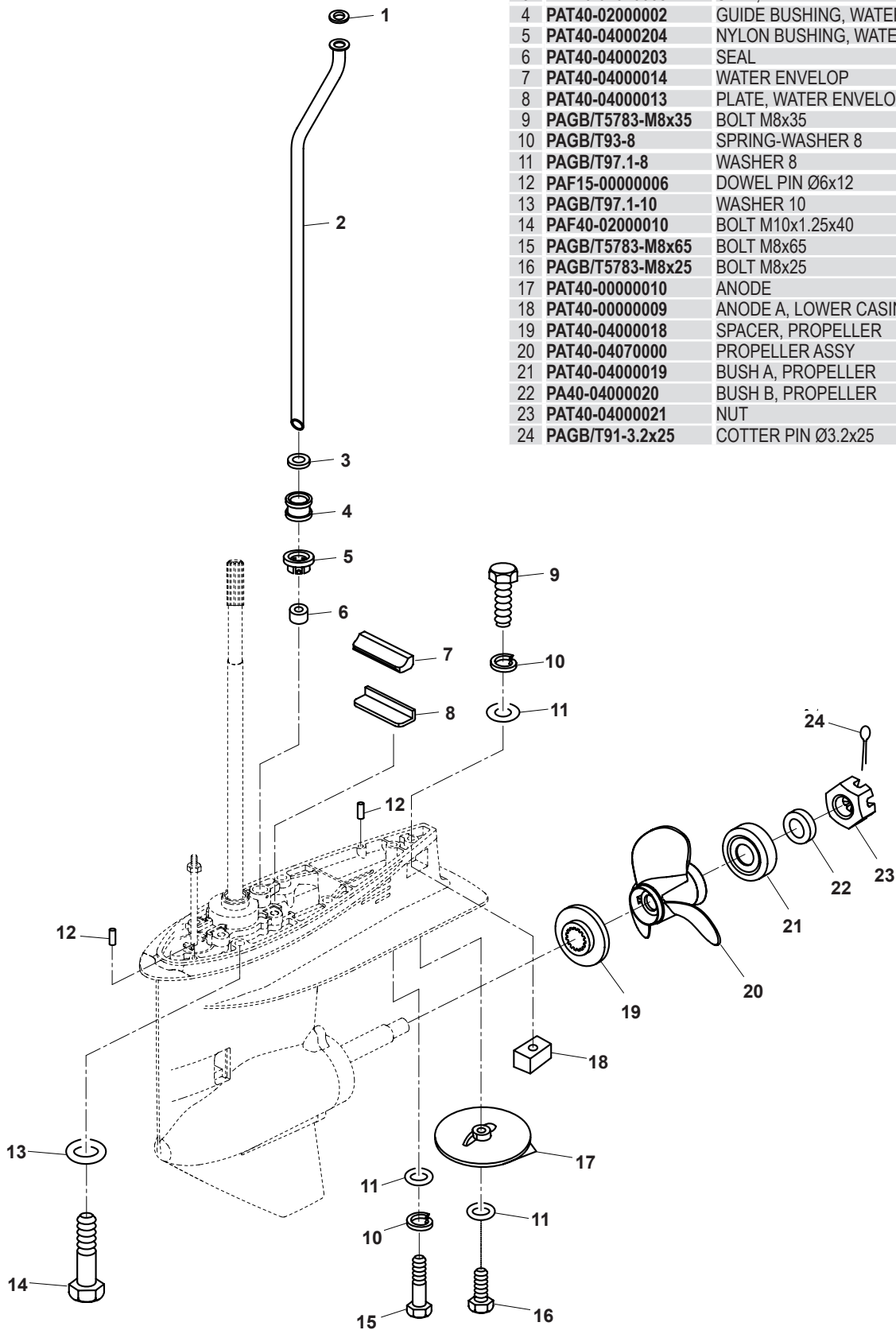
COLA INFERIOR 1 / LOWER CASING & DRIVE 1 / PARTE INFERIORE PIEDE 1

N°	Ref.	Description	Quantity	N°	Ref.	Description	Quantity
1	PAF40-0400000L	LOWER CASING ASSY (L)	1	46	PAT40-04000003-4	SHIM (t: 0.18 mm)	1
1	PAF40-0400000S	LOWER CASING ASSY (S)	1	46	PAT40-04000003-5	SHIM (t: 0.30 mm)	1
2	PAT40-04000001	LOWER CASING	1	46	PAT40-04000003-6	SHIM (t: 0.40 mm)	1
3	PAT40-04000006	NUT, PINION	1	46	PAT40-04000003-7	SHIM (t: 0.50 mm)	1
4	PAT40-04000005	PINION	1	47	PAT40-04000002	BUSHING, NYLON	1
5	PAGB/T820-M5x30	SCREW M5x30	1	48	PANSK B-1416	QUILL BEARING	1
6	PAT40-04000022	WATER INLET A	1	49	PAF15-05000035	COLUMN NUT	1
7	PAT40-04000004-1	SHIM (t: 0.10 mm)	1	50	PAGB/T6172.1-M6	NUT M6	1
7	PAT40-04000004-2	SHIM (t: 0.12 mm)	1	51	PAF15-06 020004	O-RING 14x4.2	1
7	PAT40-04000004-3	SHIM (t: 0.15 mm)	1	52	PAT40-04000007	COVER PLATE, CAMSHAFT	1
7	PAT40-04000004-4	SHIM (t: 0.18 mm)	1	53	PAJASO F404 31-035	O-RING	1
7	PAT40-04000004-5	SHIM (t: 0.30 mm)	1	54	PAGB/T97.1-6	WASHER 6	1
7	PAT40-04000004-6	SHIM (t: 0.40 mm)	1	55	PAF40-04020000	CAM ASSY, SHIFT ROD	1
7	PAT40-04000004-7	SHIM (t: 0.50mm)	1	56	PAGB/T889.1-M5	LOCKING NUT M5	1
8	PAKOYOHI-CAP322/32	ROLLER BEARING	1	51	PAT40-04000023	WATER INLET B	1
9	PAT40-04020000	FORWARD GEAR ASSY	1	58	PAF4-03000023	PLUG, OIL HOSE	1
10	PAT40-04050000	PROPELLER SHAFT ASSY	1	59	PAF4-03000024	GASKET	2
11	PAT40-04050006	PLUNGER, SHIFT	1	60	PAF25-04000031	PLUG, OIL RELEASE	1
12	PAT40-04050002	SPRING, CLUTCH	1				
13	PAT40-04050003	DOG CLUTCH	1				
14	PAT40-04050004	PIN, CLUTCH	1				
15	PAT40-04050005	ANNULAR SPRING, CLUTCH	1				
16	PAT40-04050001	SHAFT, PROPELLER	1				
17	PAT40-04050007	WASHER, REVERSE GEAR	1				
18	PAT40-04060006	GEAR, REVERSE	1				
19	PAT40-04060005-1	SHIM (T= 0.10 mm)	1				
19	PAT40-04060005-2	SHIM (T= 0.12 mm)	1				
19	PAT40-04060005-3	SHIM (T= 0.15 mm)	1				
19	PAT40-04060005-4	SHIM (T= 0.18 mm)	1				
19	PAT40-04060005-5	SHIM (T= 0.30 mm)	1				
19	PAT40-04060005-6	SHIM (T= 0.40 mm)	1				
19	PAT40-04060005-7	SHIM (T= 0.50 mm)	1				
20	PAT40-04060000	COVER ASSY, LOWER CASING	1				
21	PAKOYO 6007C4	BEARING 6007	1				
22	PAT40-04060002	O-RING A, COVER	1				
23	PAT40-04060003	O-RING B, COVER	2				
24	PAT40-04060001	COVER, LOWER CASING	1				
25	PANTN HK 2220 JS	BEARING 2220	1				
26	PAF25-04010003	OIL SEAL	4				
27	PAGB/T5783-M8x25	BOLT M8x25	2				
28	PAGB/T97.1-8	WASHER 8	2				
29	PAT40-04000008	BIG WASHER	1				
30	PAT40-04040000	CASING A ASSY, OIL SEAL	1				
31	PAJASO F404 24-050	O-RING, CASING A	1				
32	PAT40-04040001	CASING A, OIL SEAL	1				
33	PAT40-04000009	COVER, OIL SEAL	1				
34	PAT40-04000010	GASKET, WATER PUMP SEAT	1				
35	PAT40-04000011	OUTER PLATE	1				
36	PAF25-04000007	DOWEL PIN Ø4x10	2				
37	PAT40-04000205	O-RING	1				
38	PAF25-04040000	IMPELLER ASSY, WATER PUMP	1				
39	PAT40-04000202	INNER SHELL, WATER PUMP	1				
40	PAT40-04000201	WATER PUMP HOUSING	1				
41	PAT40-04000012	PLATE, WATER PUMP	4				
42	PAGB/T5783-M8x30	BOLT M8x30	4				
43	PAF40-04010000L	DRIVE SHAFT ASSY	1				
44	PAF25-04000015	WOODRUFF KEY	1				
45	PA3005 JR KOYO	BEARING 32005	1				
46	PAT40-04000003-1	SHIM (t: 0.10 mm)	1				
46	PAT40-04000003-2	SHIM (t: 0.12 mm)	1				
46	PAT40-04000003-3	SHIM (t: 0.15 mm)	1				



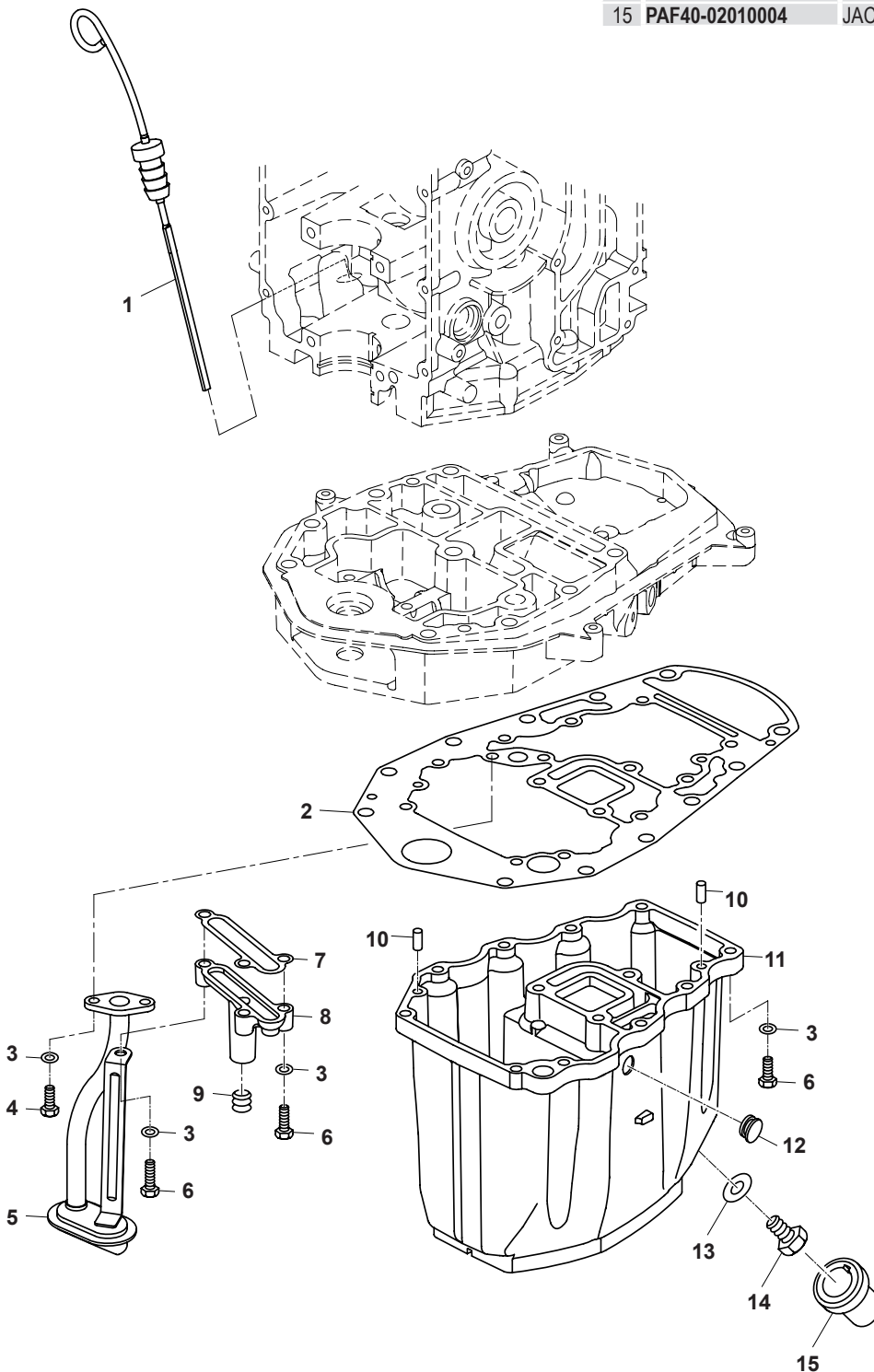
COLA INFERIOR 2 / LOWER CASING & DRIVE 2 / PARTE INFERIORE PIEDE 2

N°	Ref.	Description	Quantity
1	PAF25-02000019	NYLON WASHER, WATER PIPE	1
2	PAF40-02000005L	WATER PIPE (L)	1
3	PAT40-02010005	SEAL, WATER PIPE	1
4	PAT40-02000002	GUIDE BUSHING, WATER PIPE	1
5	PAT40-04000204	NYLON BUSHING, WATER PIPE	1
6	PAT40-04000203	SEAL	1
7	PAT40-04000014	WATER ENVELOP	1
8	PAT40-04000013	PLATE, WATER ENVELOP	1
9	PAGB/T5783-M8x35	BOLT M8x35	1
10	PAGB/T93-8	SPRING-WASHER 8	2
11	PAGB/T97.1-8	WASHER 8	3
12	PAF15-00000006	DOWEL PIN Ø6x12	2
13	PAGB/T97.1-10	WASHER 10	4
14	PAF40-02000010	BOLT M10x1.25x40	4
15	PAGB/T5783-M8x65	BOLT M8x65	1
16	PAGB/T5783-M8x25	BOLT M8x25	1
17	PAT40-00000010	ANODE	1
18	PAT40-00000009	ANODE A, LOWER CASING	1
19	PAT40-04000018	SPACER, PROPELLER	1
20	PAT40-04070000	PROPELLER ASSY	1
21	PAT40-04000019	BUSH A, PROPELLER	1
22	PA40-04000020	BUSH B, PROPELLER	1
23	PAT40-04000021	NUT	1
24	PAGB/T91-3.2x25	COTTER PIN Ø3.2x25	1



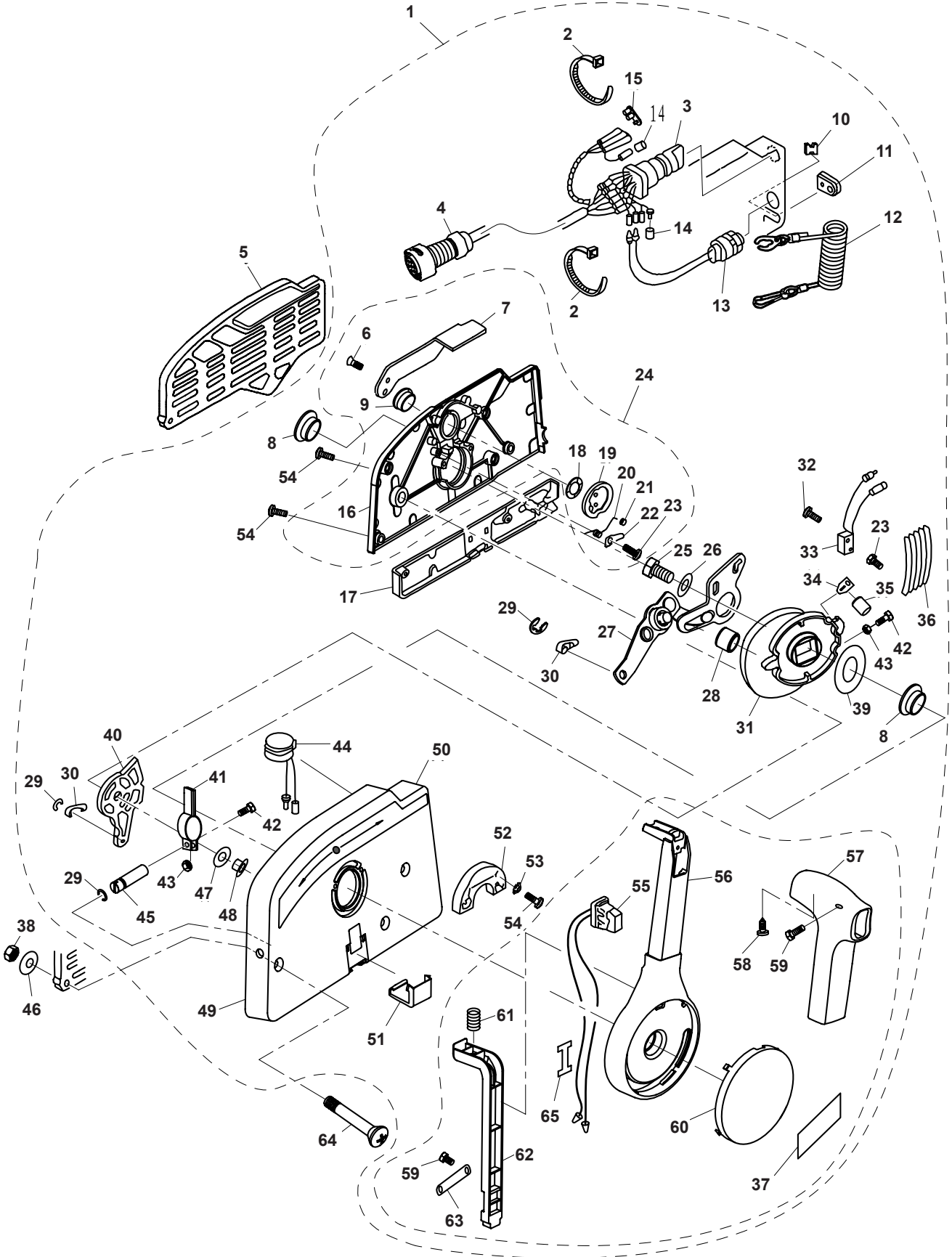
CARTER / OIL PAN / COPPA L'OLLIO

N°	Ref.	Description	Quanty
1	PAF40-05000032	OIL LEVEL ASSY	1
2	PAF25-02010007	GASKET, OUTLET MANIFOLD	1
3	PAGB/T97.1-6	WASHER 6	15
4	PAGB/T5783-M6x16	BOLT M6x16	2
5	PAF40-02010100	FILTER ASSY	1
6	PAGB/T5783-M6x25	BOLT M6x25	13
1	PAF25-02010006	GASKET, RELIEF VALVE	1
8	PAF40-02010010	SHELL, RELIEF VALVE	1
9	PAF15-07010004	PLUG	1
10	PAF15-00000006	PIN 6x12	2
11	PAF40-02010002	OIL PAN	1
12	PAF40-02010003	RUBBER JAM	1
13	PAF15-04000003	WASHER, BOLT	1
14	PAF15-04000002	BOLT, OIL DRAIN	1
15	PAF40-02010004	JACKET, OIL DRAIN	1



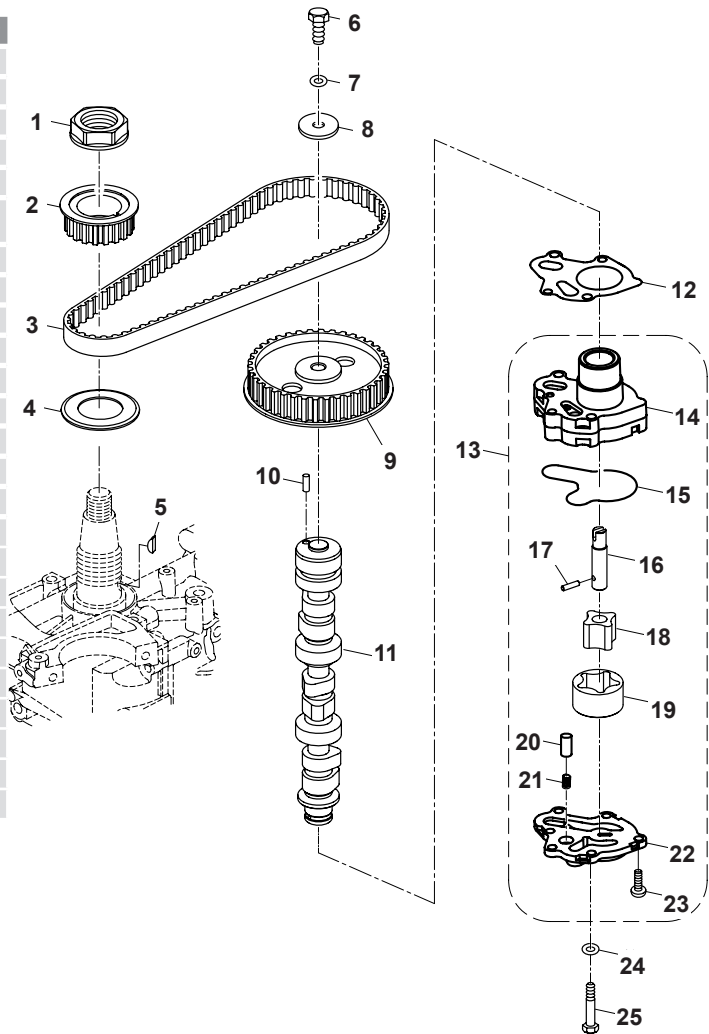
CAJA DE MANDOS / CONTROL BOX ASSY / SCATOLA COMANDI

N°	Ref.	Description	Quantity	N°	Ref.	Description	Quantity
1	PAF40-13000000EI	CONTROL BOX ASSY (EFI)	1	58	PAGB/T84.5-ST4.8x12	SCREW, PAN HEAD ST4.8x12	1
2	PAHT2.5x60	CLAMP	2	59	PAGB/T818-M4x10	SCREW, PAN HEAD M4x10	3
3	PAF40-13000200EI	STARTING SWICH ASSY (EFI)	1	60	PAF15-13010009W	COVER, CONTROL HANDLE	1
41	PAT85-08010100	CONTROL CABLE	1	61	PAF15-13010005W	SPRING, COMPRESSION	1
	PAF40-08010100EI	CONTROL CABLE (EFI)	1	62	PAF15-13010004W	PART, ORIENTATION CONTROL	1
5	PAF15-11000002W	PLATE, CONTROL BOX	1	63	PAF15-13010008W	PLATE, ORIENTATION PART	1
6	PAGB/T819.2-M5x12	SCREW PAN HEAD M5x12	2	64	PAGB/T820-M6x90	SCREW, PAN HEAD M6x90	3
7	PAF15-13020007W	THROTTLE HANDLE, INCHING	1	65	PAE4-07020015W	CHAFING PLATE, WIRE	1
8	PAF15-13000005W	BUSH,CAM	2				
9	PAF15-13020006W	BUSH, HANDLE	1				
10	PAF15-11000001W	BLOCK, RUBBER	1				
11	PAF15-13000014W	JACKET, CABLE	1				
12	PAF4-01090401	STOPER, HANG ROPE ASSY	1				
13	PAF15-13000400W	ENGINE STOP SWICH ASSY	1				
14	PAF15-13000203W	INSULATED PLUG "B"	2				
15	PAF15-13000202W	INSULATED PLUG "A"	1				
16	PAF15-13020001W	COVER, CONTROL BOX	1				
17	PAF15-13000013W	SMALL COVER, CONTROL BOX	1				
18	PAF15-13020005W	WASHER "B", WAVE	1				
19	PAF15-13020100W	LOCKED DISK ASSY	1				
20	PAF15-13020002W	TORSION SPRING	1				
21	PAF15-13020003W	EACH LOCKED PULLEY	1				
22	PAF15-13020004W	PLATE, PULLEY SPRING	1				
23	PAGB/T818-M4x6	PAN HEAD SCREW M4x6	2				
24	PAF15-13020000W	COVER ASSY, CONTROL BOX	1				
25	PAGB/T5783-M8x30	BOLT M8x30	1				
26	PAGB/T97.1-8	WASHER 8	1				
27	PAT20-13000500W	MACHINE, CONTROL ACCELEROGRAPH	1				
28	PAF15-13000007W	WASHER	1				
29	PAGB/T896-6	PIN, COTTER 6	3				
30	PAF25-07000007W	CONTROL CABLE TIE IN "B"	2				
31	PAF15-13000002W	CAM MECHANISM	1				
32	PAGB/T818-M3x14	PAN HEAD SCREW M3x14	2				
33	PAF15-13000800W	INCHING SWITCH	1				
34	PAF15-13000003W	PLATE	1				
35	PAF15-13000004W	PULLEY	1				
36	PAF15-13000001W	SHIFT SPRING PLATE "B"	5				
37	PAF15-12000016W	MARK 16	1				
38	PAGB/T6170-M6	NUT M6	3				
39	PAF15-13000008W	WEARABLE PLATE, CAM MACHANISM	1				
40	PAF15-13000700W	SHIFT SWING LINK	1				
41	PAF15-13000601W	ADJUSTER FASTNESS ASSY	1				
42	PAGB/T5783-M5x25	BOLT M5x25	2				
43	PAGB/T6170-M5	NUT M5	2				
44	PAF15-13000300W	BUZZER ASSY	1				
45	PAF15-13000602W	ADJUSTER PIN	1				
46	PAGB/T5287-6	BIG WASHER 6	3				
47	PAF15-13000006W	WEARABLE PLATE	1				
48	PAF15-13000011W	BUSH, SHIFT SWING LINK	1				
49	PAF15-13000012W	BRACKET, CONTROL BOX	1				
50	PAF15-12000013W	MARK 13	1				
51	PAF15-13000015W	COVER, WATERPROOF	1				
52	PAF15-13010010W	BLOCK, CONTROL HANDLE	1				
53	PAGB/T956.1-5	WASHER, LOCKED 5	2				
54	PAGB/T819.2-M5x18	SCREW, PAN HEAD M5x18	7				
55	PAE4-10040100W	SWITCH ASSY, TILT	1				
56	PAF15-13010001W	CONTROL HANDLE	1				
57	PAF15-13010002W	CONTROL HANDLE BAR	1				

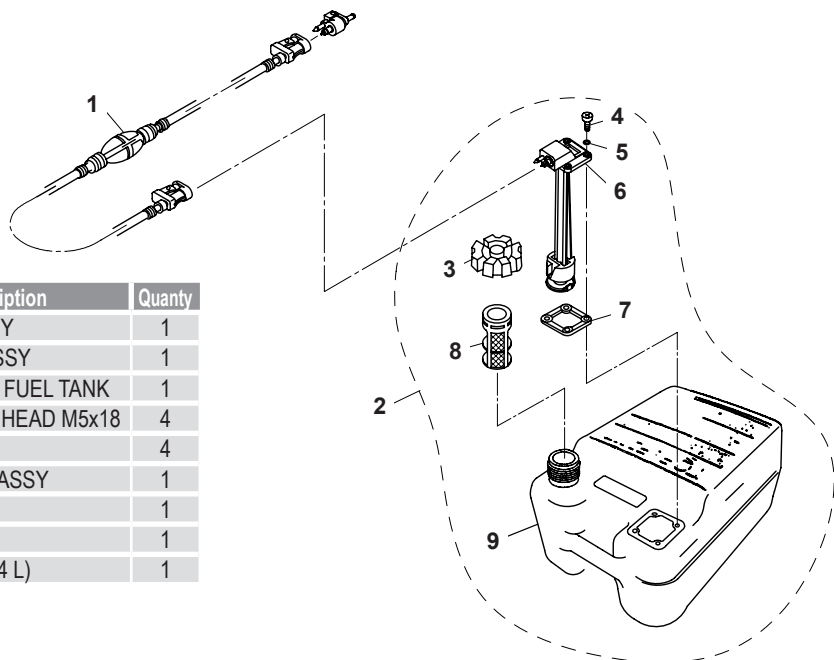


BOMBA DE ACEITE / OIL PUMP / POMPA OLIO

Nº	Ref.	Description	Quantity
1	PAF40-05000007	NUT, TIMING PULLEY	1
2	PAF25-05000021	TIMING PULLEY	1
3	PAF25-05000023	TIMING BELT	1
4	PAF40-05000008	PLATE, TIMING BELT	1
5	PAF4-04000019	WOODRUFF KEY	1
6	PAGB/T5785-M10x1.25x40	BOLT M10x1.25x40	1
7	PAGB/T97.1-10	WASHER 10	1
8	PAF25-05050018	WASHER, DRIVEN PULLEY	1
9	PAF40-05040006	DRIVEN PULLEY	1
10	PAF25-05050016	DOWEL PIN, DRIVEN PULLEY	1
11	PAF40-05040200	CAMSHAFT ASSY	1
12	PAF40-05040407	GASKET, OIL PUMP	1
13	PAF40-05040400	OIL PUMP ASSY	1
14	PAF40-05040401	BODY, OIL PUMP	1
15	PAF40-05040405	SEAL, OIL PUMP	1
16	PAF40-05040404	ROTOR SHAFT, OIL PUMP	1
17	PAGB/T309 Ø4x15.8	NEEDLE ROLLER Ø4x15.8	1
18	PAF40-05040403	INNER ROTOR, OIL PUMP	1
19	PAF40-05040402	OUTER ROTOR, OIL PUMP	1
20	PAF15-07110003	PLUNGER, OIL RELIEF VALVE	1
21	PAF40-05040408	SPRING, OIL RELIEF VALVE	1
22	PAF40-05040406	COVER, OIL PUMP	1
23	PAGB/T823-M6x16	SCREW M6x16	2
24	PAGB/T97.1-6	WASHER 6	4
25	PAGB/T5782-M6x40	BOLT M6x40	4



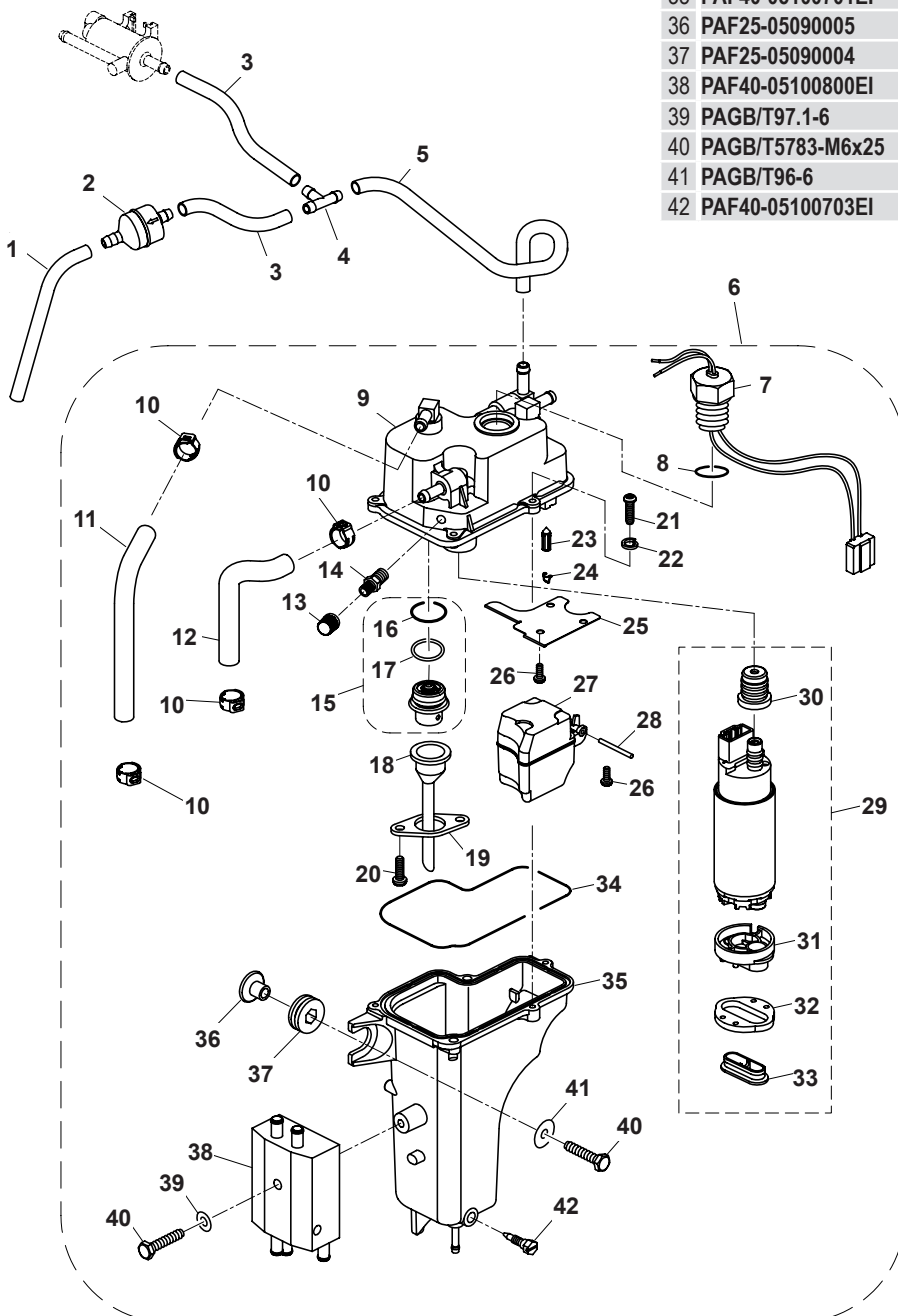
DEPÓSITO EXTERNO / OUTER FUEER TANK / SERBATOIO ESTERNO



Nº	Ref.	Description	Quantity
1	PAF15-09000000	OIL TUBE ASSY	1
2	PAF15-10000000	FUEL TANK ASSY	1
3	PAF15-10010000	COVER ASSY, FUEL TANK	1
4	PAGB/T818-M5x18	SCREW, PAIN HEAD M5x18	4
5	PAGB/T97.1-5	WASHER 5	4
6	PAF15-10020000	OLEOMETER ASSY	1
7	PAF15-10000003	GASKET	1
8	PAF15-10000002	STRAINER	1
9	PAF15-10000001	FUEL TANK (24 L)	1

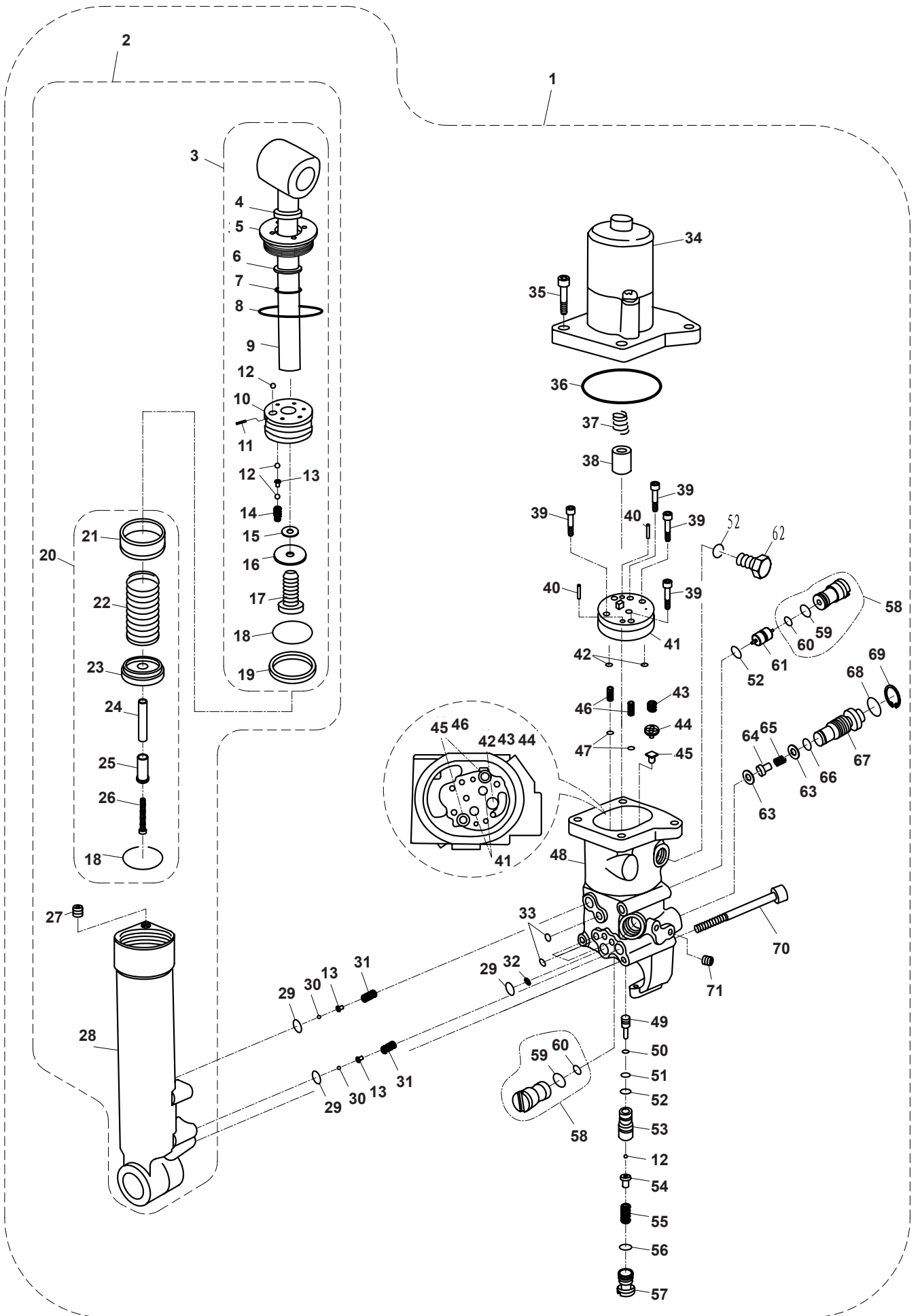
BOMBA DE ACEITE ELÉCTRICA / ELECTRIC OIL PUMP / POMPA OLIO ELLETRICA

Nº	Ref.	Description	Quantity	Nº	Ref.	Description	Quantity
1	PAF40-05000069BI	AIR PIPE C	1	18	PAF40-05100602BI	CONDUIT TUBE	1
2	PAT5-04000200	CHECK VALVE	1	19	PAF40-05100603BI	PLATE, PRESSURE REGULATOR VALVE	1
3	PAF40-05000070BI	AIR PIPE D	2	20	PAGB/T818-M5x12	SCREW M5x12	2
4	PAF15-05000011	THREE WAY	1	21	PAGB/T818-M4x16	SCREW M4x16	5
5	PAF40-05000051BI	AIR PIPE B	1	22	PAGB/T93-4	SPRING WASHER 4	5
6	PAF40-05100000BI	OIL PUMP ASSY	1	23	PAF40-05100301EI	NEEDLE VALVE	1
7	PAF40-05010400EI	JOINT ASSY, OIL PUMP	1	24	PAF40-05100302EI	CLAMP SPRING, NEEDLE VALVE	1
8	PAGB/T3452.1-15.8x3.1	O-RING 15.8x3.1	1	25	PAF40-05100003EI	BAFFLE PLATE	1
9	PAF40-05100100EI	BODY ASSY, OIL PUMP	1	26	PAGB/T818-M4x8	SCREW M4x8	4
10	PAS7133-Ø13.3	SINGLE LUG CLAMP	4	27	PAF40-05100001EI	FLOATER	1
11	PAF40-05100010EI	SHAPED TUBE A, OIL PUMP	1	28	PAF40-05100002EI	PIN, FLOATER	1
12	PAF40-05100004EI	SHAPED TUBE B, OIL PUMP	1	29	PAF40-05100500EI	OIL PUMP ASSY	1
13	PAF40-05100202EI	CAP, DETECTION VALVE	1	30	PAF40-05100501EI	RUBBER SLEEVE, OIL PUMP	1
14	PAF40-05100201BI	DETECTION VALVE, OIL PUMP	1	31	PAF40-05100504EI	PADDING BLOCK, OIL PUMP	1
15	PAF40-05100600BI	PRESSURE REGULATOR VALVBE	1	32	PAF40-05100503EI	RUBBER PAD, OIL PUMP	1
16	PAF40-05100601BI	O-RING, PRESSURE REGULATOR VALVE	1	33	PAF40-05100502EI	FILTER NET, OIL PUMP	1
17	PAF40-05100600-1EI	WASHER, PRESSURE REGULATOR VALVE	2	34	PAF40-05100704EI	SEAL, OIL CAP	1
				35	PAF40-05100701EI	OIL CAP, ELECTRIC PUMP	1
				36	PAF25-05090005	BUSHING, DAMPER	3
				37	PAF25-05090004	DAMPER	3
				38	PAF40-05100800EI	COOLER, FUEL	1
				39	PAGB/T97.1-6	WASHER 6	1
				40	PAGB/T5783-M6x25	BOLT M6x25	4
				41	PAGB/T96-6	BIG WASHER 6	3
				42	PAF40-05100703EI	DRAIN BOLT, OIL CUP	1



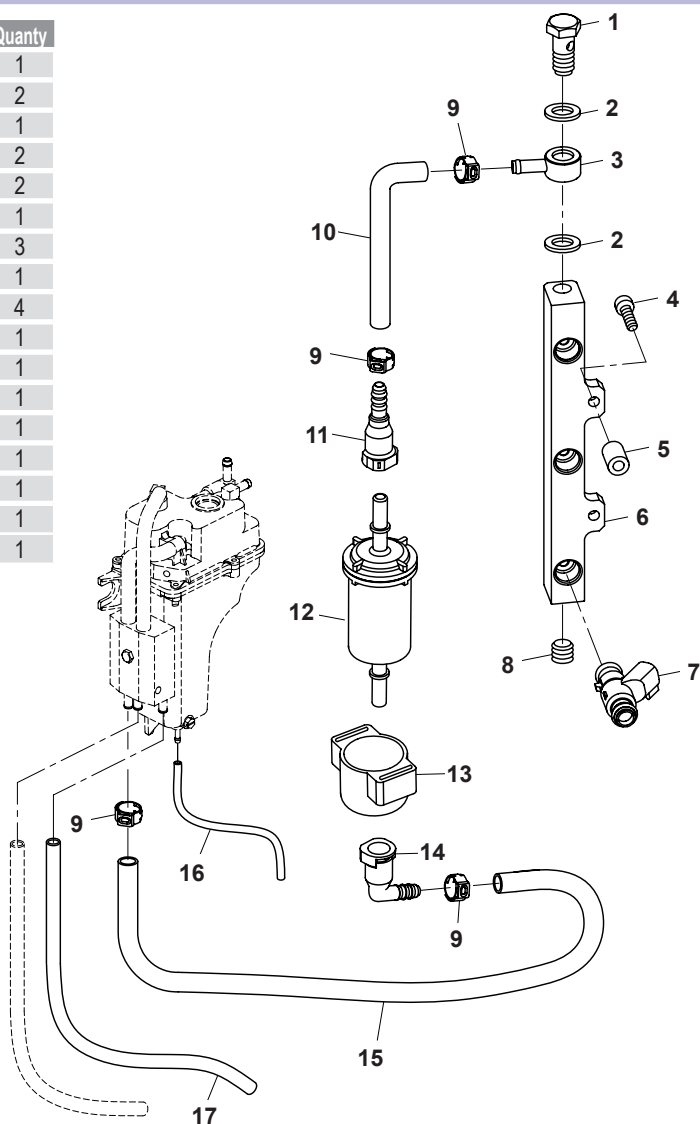
POWER TRIM & TILT

Nº	Ref.	Description	Qty	Nº	Ref.	Description	Qty
1	PAT40-1000000	HYDRAULIC TILT ASSY	1	41	PAT40-10020400	GEAR PUMP ASSY	1
2	PAT40-10010000	LOCATING CYLINDER ASSY	1	42	PAJIS FG5	O-RING Ø4.5xØ1.5	2
3	PAT40-10030000	LOCATING CYLINDER & PISTON ASSY	1	43	PAT40-10020002	SPRING	1
4	PAT40-10030202	OIL SEAL 15x23x5	1	44	PAT85-06010205	PIN, VALVULA SUPORTE	1
5	PAT40-10030200	PISTON NUT	1	45	PAT85-06010207	SEAL, MAIN VALVE	1
6	PAJISB 2407 P15T2	CIRCLIP P15T2	1	46	PAT40-10020005	FILTER, PUMP	2
7	PAJISB 2401 P15	O-RING Ø14.8x2.4	1	47	PAJIS FG4	O-RING Ø3.5x1.5	2
8	PAJASO F404 24-045	O-RING Ø44.7x2.4	1	48	PAT40-10020001	HOUSING	1
9	PAT40-10030100	SHAFT, TILT ASSY	1	49	PAT40-10020301	PIN, VALVE SUPPORT	1
10	PAT40-10030301	PISTON	1	50	PAJISB 2401 PJ	O-RING Ø2.8x1.9	1
11	PAGB/T879.4-Ø1.5x12	PIN 1.5x12	1	51	PAJISB 2401 P8	O-RING Ø7.8x1.9	1
12	PAT85-06020202	BALL 4	12	52	PAJISB 2401 P9	O-RING Ø8.8x1.9	3
13	PAT85-06020005	SEAT, SPRING	7	53	PAT40-10020302	SEAT, RELIEF VALVE	1
14	PAT40-10030001	SPRING	5	54	PAT40-10020303	SEAT, SPRING	1
15	PAT40-10030002	WASHER	1	55	PAT40-10020304	SPRING, UP RELIEF	1
16	PAT40-10030003	WASHER	1	56	JPAISB 2401 P11	O-RING Ø10.8x2.4	1
17	PAGB/T70.2-M10x1.25x40	SCREW M10x1.25x40	1	51	PAT40-10020305	SCREW, VALVE LOCK	1
18	PAJISB 2401 P39	O-RING Ø38.7x3.5	2	58	PAT85-06010503	VALVE SUB ASSY	2
19	PAJISB 2407 P39T2	RING, BACK UP P39T2	1	59	PAJISB 2401 P12.5	O-RING Ø12x1.5	2
20	PAT40-10010100	FREE PISTON SUB ASSY	1	60	PAJIS FG12	O-RING Ø11.5x1.5	2
21	PAT40-10010101	FREE PISTON	1	61	PAT85-06010501	PISTON, SHUTTLE	1
22	PAT40-10010102	SPRING	1	62	PAT85-06010009	SCREW	1
23	PAT40-10010104	SEAL	1	63	PAT85-06010601	WASHER, SEAL	2
24	PAT40-10010103	BUSH, BOLT	1	64	PAT40-10020201	SEAT, SPRING	1
25	PAT40-10010105	BUSH, PISTON	1	65	PAT40-10020202	SPRING	1
26	PAGB/T70.2-M4x35	SCREW M4x35	1	66	PAJIS FG10	O-RING Ø9.5x1.5	1
27	PAF15-07010004	BLOCK, CYLINDER 1/8"	1	67	PAT85-06010606	SCREW, MANUAL RELEASE	1
28	PAT40-10000002	POSITIONING CYLINDER	1	68	PAGB/T3452.1-17.5x2.65	O-RING Ø17.5x2.65	1
29	JPAIS FG11.2	O-RING Ø10.7xØ1.5	3	69	PAGB/T893.1-20	RING, SNAP CIRCLIP 20	1
30	PAT40-10000001	BALL 1/8"	2	70	PAGB/T70.1-M6x75	BOLT M6x75	3
31	PAT85-06020014	SPRING, PISTON	2	71	PAT85-06 010002	BLOCK, CYLINDER 1/16"	5
32	PAT85-06010201	FILTER	1				
33	PAJIS FG6	O-RING Ø5.5x1.5	4				
34	PAT40-10020500	TILT MOTOR	1				
35	PAGB/T70.1-M6x20	SCREW M6x20	4				
36	PAGB/T3452.1-Ø48x2	O-RING Ø48x2	1				
37	PAT40-10020004	SPRING	1				
38	PAT40-10020003	LINK, MOTOR	1				
39	PAGB/T70.1-M4x25	BOLT M4x25	4				
40	PAT85-06010705	ROLLER Ø4x21.8 G2-2-4	2				



CIRCUITO COMBUSTIBILE / FUEL COMMON RAIL / CIRCUITO DI CARBURANTE

N°	Ref.	Description	Quantity
1	PAF40-05000046EI	BOLT, ADAPTER	1
2	PAGB/T982-12	COMPOUND SEAL WASHER 12	2
3	PAF40-05000045EI	ADAPTER, COMMON RAIL	1
4	PAGB/T70.1-M6x35	INNER HEXAGON BOLT M6x35	2
5	PAF40-05000044EI	BUSHING, COMMON RAIL	2
6	PAF40-05091200EI	COMMON RAIL, FUEL OIL	1
7	PAF40-05090300EI	FUEL INJECTOR	3
8	PAF15-07010004	PLUG SCREW 1/8	1
9	PAS7133-13.3	SINGLE LUG CLAMP	4
10	PAF40-05000021EI	SHAPED TUBE, FUEL OIL	1
11	PAF40-05000040EI	JOINT A, FUEL FILTER	1
12	PAF40-05091100EI	FUEL FILTER	1
13	PAF25-07150301W	RELAY JACKET	1
14	PAF40-05000041EI	JOINT B, FUEL FILTER	1
15	PAF40-05000019EI	FUEL PIPE A Ø5xØ10x710	1
16	PAF40-05100511EI	OIL PIPE, OIL PUMP	1
17	PAF40-05000052EI	WATER PIPE G Ø6xØ11x550	1

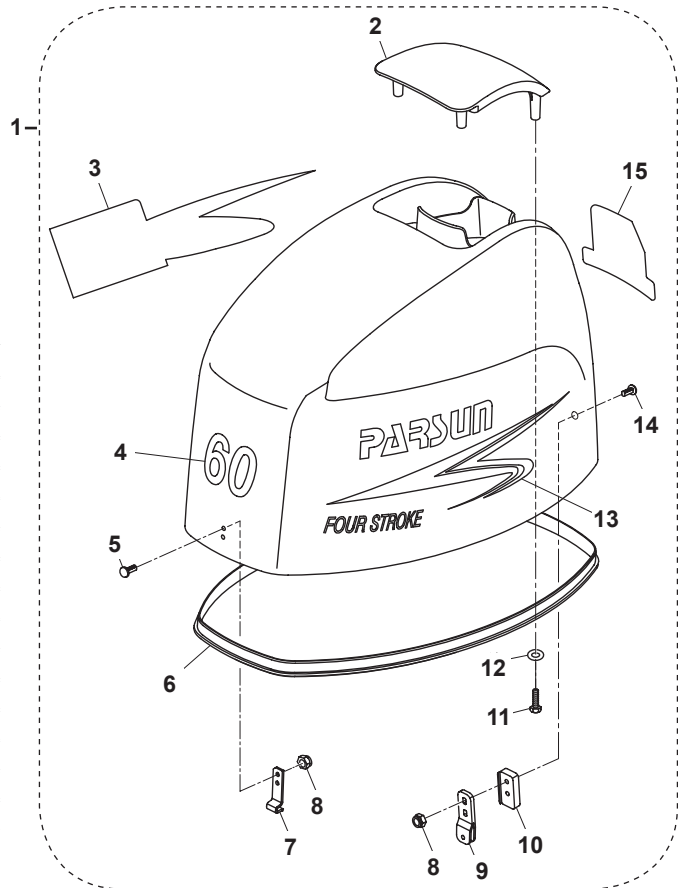




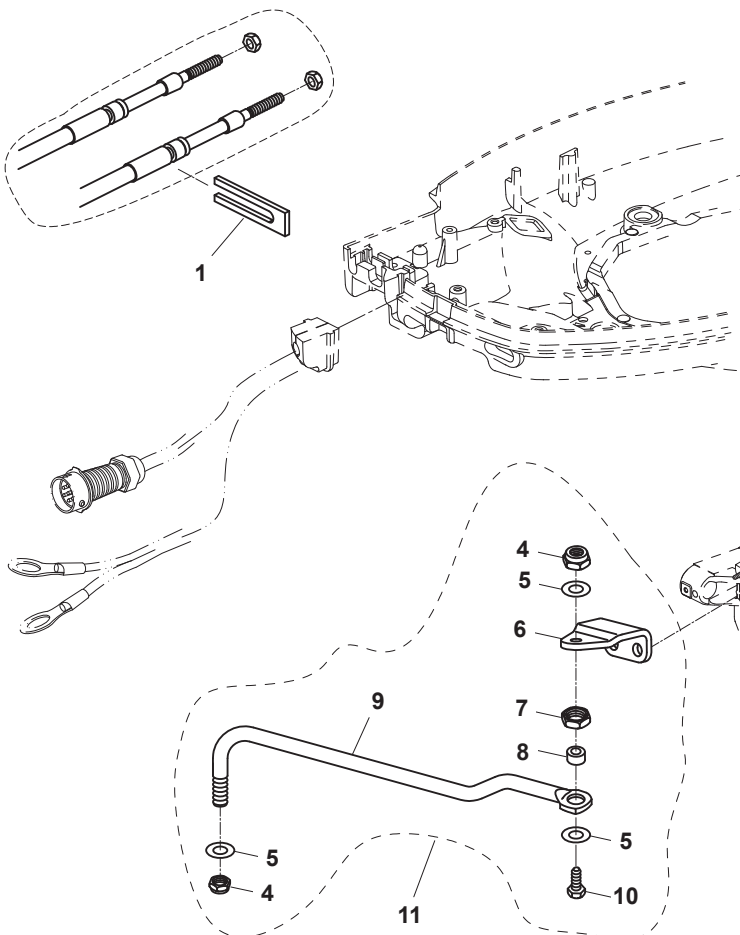
F60FWL-T / F50FWL-T

TAPA MOTOR / TOP COWLING ASSY / CALANDRA

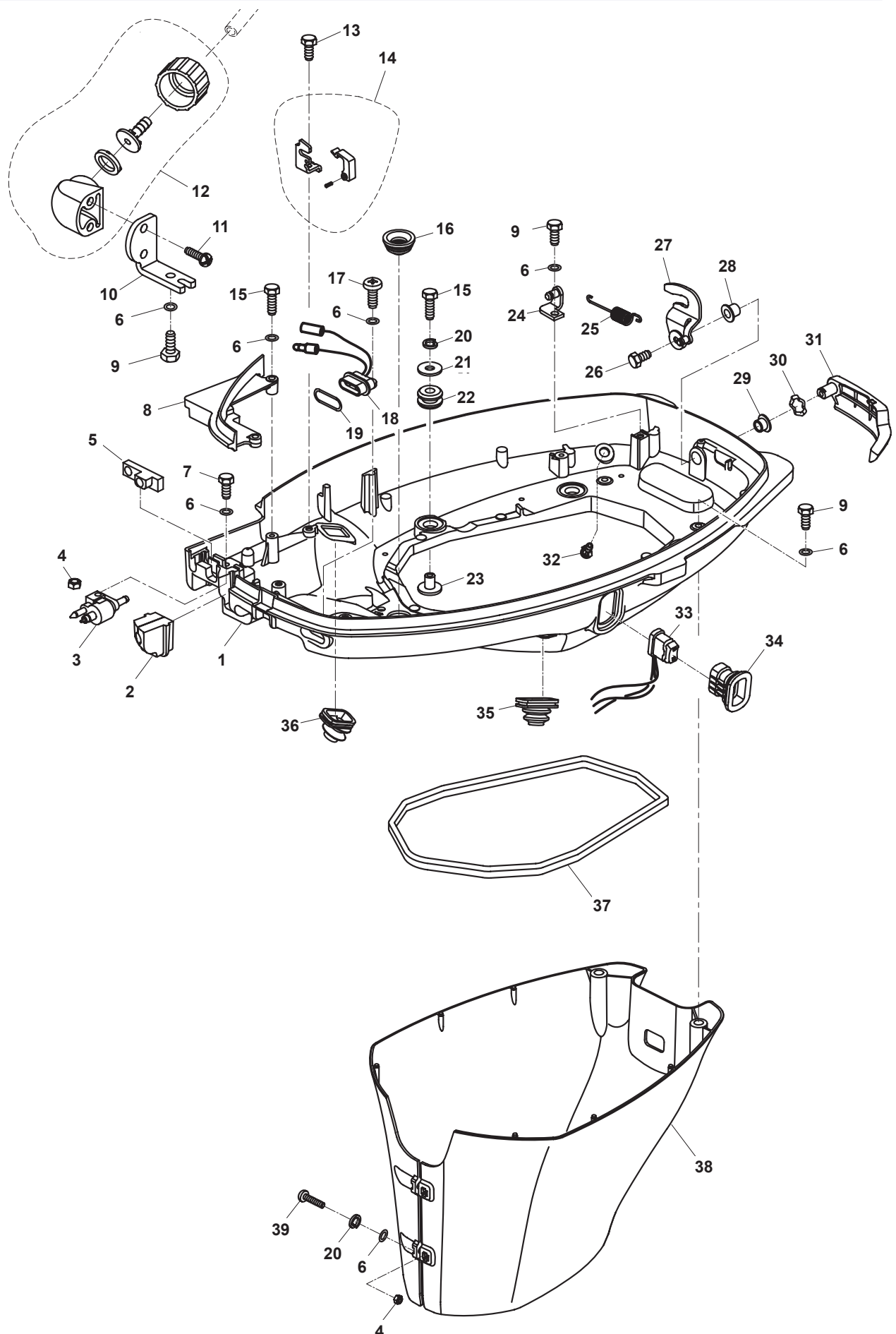
N°	Ref.	Description	Quantity
1	PAF60-07000000	TOP COWLING ASSY	1
2	PAF60-07000003	COVER, TOP COWLING	1
3	PAF40-08000002	MARK (RIGHT), TOP COWLING	1
4	PAF60-08000005	MARK (FRONT), TOP COWLING	1
5	PAF25-06000006	FLAT BOLT "B"	2
6	PAF60-07000002	RUBBER SEAL, TOP COWLING	1
7	PAF25-06000004	POTHOOK, FRONT	1
8	PAGB/T889.1-M6	LOCK NUT M6	4
9	PAF25-06000100	BACK POTHOOK ASSY	1
10	PAF60-07000004	SPACER, BACK POTHOOK ASSY	1
11	PAGB/T5783-M6x20	HEXAGON BOLT M6x20	4
12	PAGB/T97.1-6	WASHER, PLAIN 6	4
13	PAF40-08000001	MARK (LEFT), TOP COWLING	1
14	PAF40-06000007	FLAT BOLT "A"	2
15	PAF40-08000003	MARK (BACK), TOP COWLING	1



VARILLA ENLACE / LINK ROD / ASTICELLA DI UNIONE



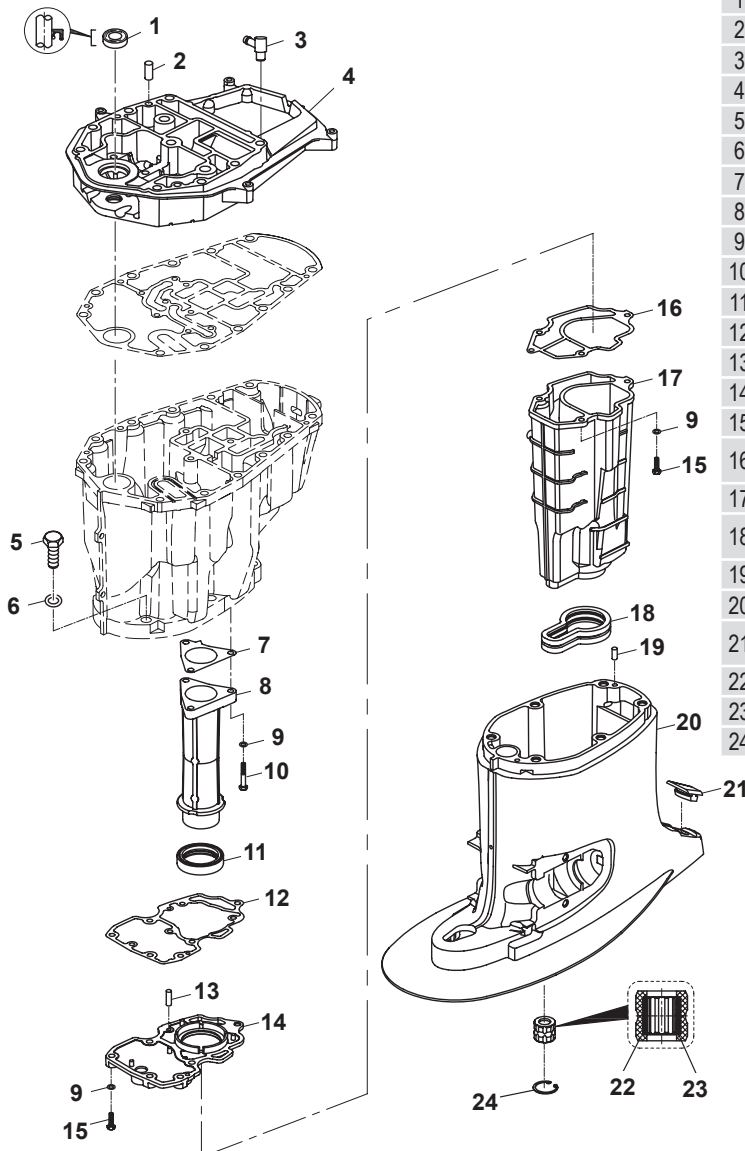
N°	Ref.	Description	Quantity
1	PAF60-03000007	PLATE, RINGENT	1
2	PAF25-01010012W	NUT, PLASTIC	1
3	PAJASOF40424-016	O-RING	1
4	PAF25-07000006W	THIN LOCKNUT	1
5	PAGB/T97.1-10	WASHER 10	2
6	PAF60-01000004	LING ROD	3
7	PAF25-07000304W	NUT	1
8	PAF25-07000303W	TUBE, BOLT	1
9	PAF25-07000301W	LINK ROD, TURNING	1
10	PAF25-07000302W	BOLT	1
11	PAF60-08000300W	LINK ROD ASSY	1



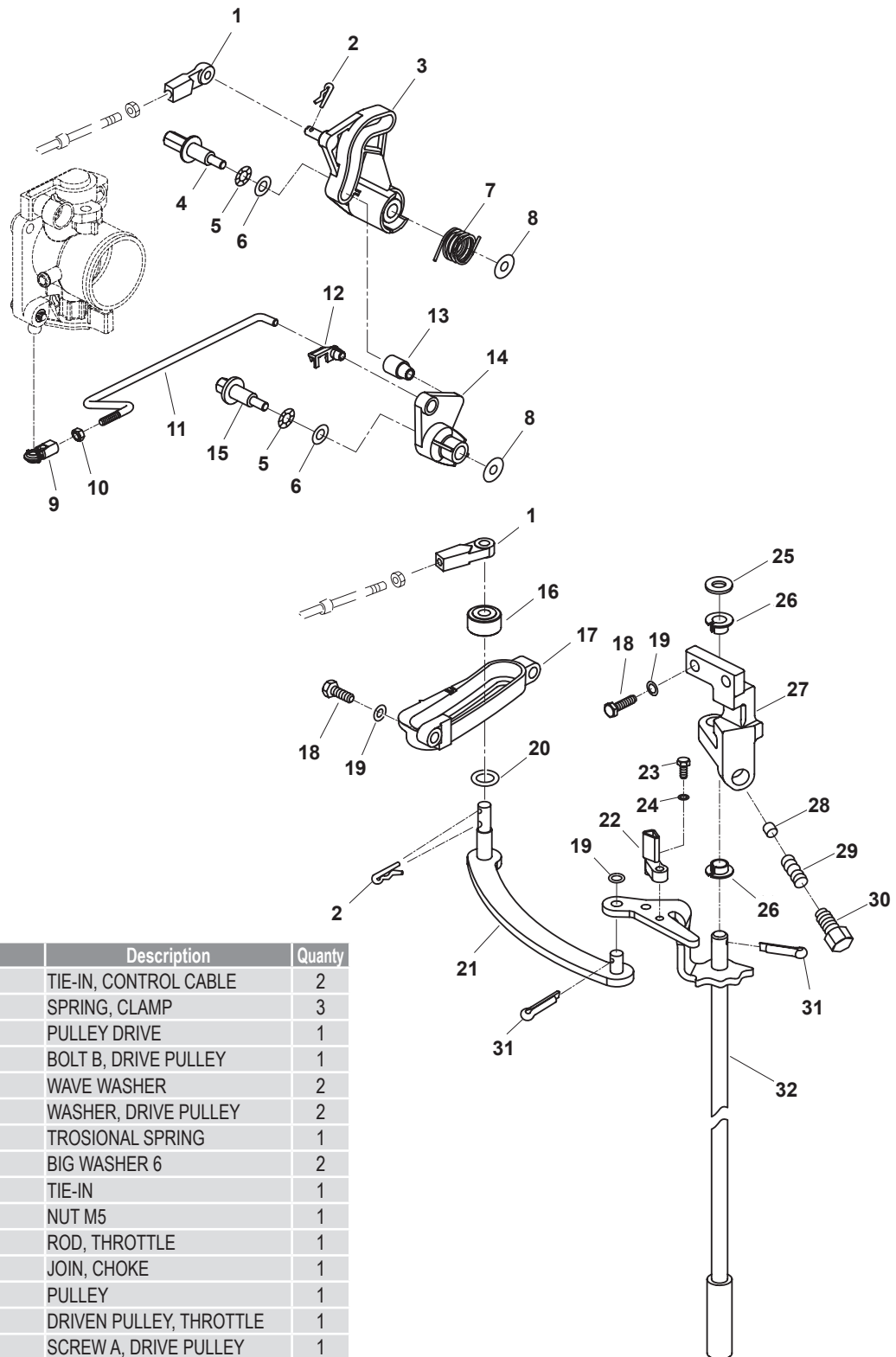
N°	Ref.	Description	Quantity
1	PAF60-03000001	BOTTOM COWLLING	1
2	PAF60-03000006FW	RUBBER PLUG	1
3	PAF4-05000200	FUEL PIPE TIE-IN ASSY	1
4	PAGB/T6170-M16	NUT M6	3
5	PAF60-03000005FW	BAFFLE BOARD, RUBBER	1
6	PAGB/T97.1-6	WASHER, PLAIN 6	10
7	PAGB/T5783-M16x25	BOLT M6x25	1
8	PAF60-03000003	COVER BOARD, BOTTOM COWLING	1
9	PAGB/T5783-M6x20	HEXAGON BOLT M6X20	4
10	PAF25-03000023W	BRACKET, JAM	1
11	PAGB/T845-ST5.5x19	SCREW, PAN HEAD ST5.5X19	2
12	PAF25-03000100W	JAM ASSY	1
13	PAGB/T5783-M6x14	BOLT M6X14	1
14	PAF60-03000300	FIXED BRACKET ASSY, CABLE	1
15	PAGB/T5783-M6x30	BOLT HEXAGON M6X30	6
16	PAF60-03000008	SHEATH, WAVE	1
17	PAGB/T823-M6x12	SCREW M6x12	1
18	PAF40-03000300EI	PILOT LAMP ASSY	1
19	PAF20-03000101	SEAL, PILOT LAMP	1
20	PAGB/T93-6	WASHER, SPRING 6	6

N°	Ref.	Description	Quantity
21	PAF25-00000004	BIG WASHER 6	4
22	PAF25-03000006	DAMPER	4
23	PAF25-03000007	BUSHING, DAMPER	4
24	PAF25-03000019	BRACKET ASSY, TENSIONAL SPRING	1
25	PAF15-05000026	SPRING, TENSION	1
26	PAGB/T5783-M6x12	BOLT, HEXAGON M6X12	1
27	PAF25-03020000	LOCKING ASSY, TOP COWLING	1
28	PAF15-05000036	BUSHING B	1
29	PAF15-05000022	BUSHING A	1
30	PAF15-05000023	WASHER, WAVE	1
31	PAF60-03000100	LOCKING HANDLE, TOP COWLING	1
32	PAF15-05000009	NIPPLE, PLASTIC	1
33	PAF40-03000600W	SWITCH ASSY, TILT	1
34	PAF40-03000008	JACKET, TILT SWITCH	1
35	PAT85-03000004	JACKET, BATTERY LINE	1
36	PAF25-03000022W	JACKET, WATER PIPE	1
37	PAF25-03000002	SEAL, BOTTOM COWLING	1
38	PAF60-00000014	COVER, UPPER CASING	1
39	PAGB/T818-M6x25	SCREW, PAN HEAD M6X25	2

COLA SUPERIOR / UPPER CASING / PARTE ALTA PIEDE



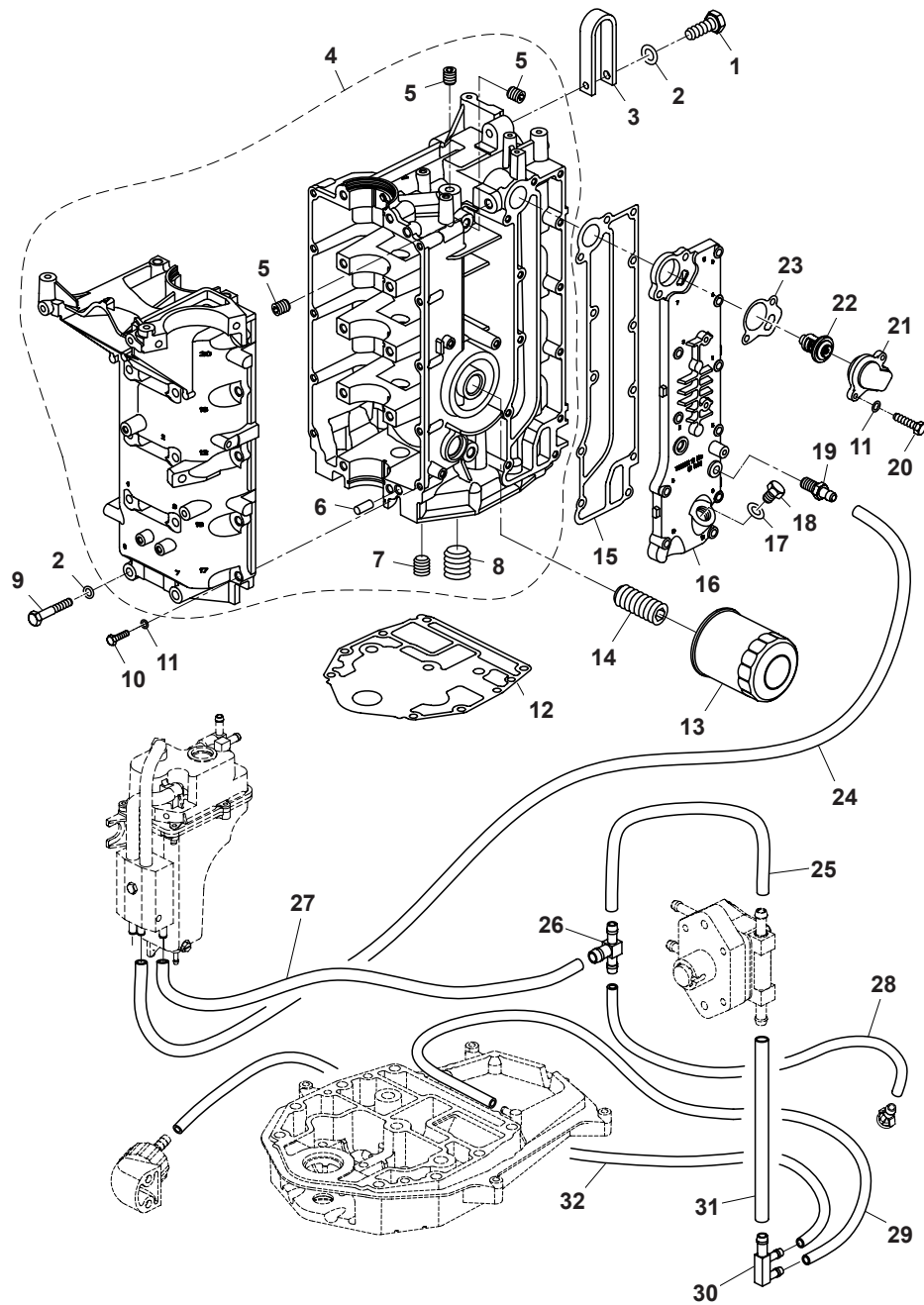
N°	Ref.	Description	Quantity
1	PAF60-02010002	OIL SEAL 18x32x9	1
2	PAF25-00000014	PIN, DOWEL	2
3	PAF15-04000005	WATER NOZZLE	1
4	PAF60-02010001	SEAT, EXHAUST MANIFOLD	1
5	PAT85-00000012	BOLT M10x1.25x45	6
6	PAGB/T97.1-10	WASHER 10	6
7	PAF60-02000013	GAST, EXHAUST PIPE	1
8	PAF60-02010007	EXHAUST GUIDE PIPE	1
9	PAGB/T97.1-6	WASHER, PLAIN 6	9
10	PAGB/T5782-M16x65	NUT M6x65	3
11	PAF60-02010012	GASKET, EXHAUST PIPE	1
12	PAF60-02010008	GASKET, EXHAUST PLATE	1
13	PAF25-04000007	PIN, DOWEL	2
14	PAF60-02010009	EXHAUST PLATE	1
15	PAGB/T5783-M16x25	NUT M6x25	6
16	PAF60-02010010	LOWER GASKET, EXHAUST PLATE	1
17	PAF60-02010011	EXHAUST MANIFOLD	1
18	PAF60-02000008	GASKET, EXHAUST MANIFOLD	1
19	PAF15-00000006	PIN, DOWEL	2
20	PAF60-02000001	UPPER CASING	1
21	PAF40-00000002	RUBBER PLUG, UPPER CASING	1
22	PAT36-02000006	RUBBER BUSHING	1
23	PAF60-02000003	BUSHING, DRIVER SHAFT	1
24	PAGB/T893.1-36	CIRCLIP 36	1



N°	Ref.	Description	Quantity
1	PAF25-07000005W	TIE-IN, CONTROL CABLE	2
2	PAF15-00000012	SPRING, CLAMP	3
3	PAF60-05000012	PULLEY DRIVE	1
4	PAF60-05000014-2	BOLT B, DRIVE PULLEY	1
5	PAF15-00000019	WAVE WASHER	2
6	PAF60-05000015	WASHER, DRIVE PULLEY	2
7	PAF60-05000013	TROSIONAL SPRING	1
8	PAJB/T96-6	BIG WASHER 6	2
9	PAF15-04040005	TIE-IN	1
10	PAGB/T6170-M5	NUT M5	1
11	PAF60-05000020	ROD, THROTTLE	1
12	PAF15-07130314W	JOIN, CHOKE	1
13	PAF60-05000018	PULLEY	1
14	PAF60-05000017	DRIVEN PULLEY, THROTTLE	1
15	PAF60-05000014-1	SCREW A, DRIVE PULLEY	1
16	PAT85-00010010	PULLEY, ACCELEROGRAPH	1
17	PAF60-00000008	BRACKET, ACCELEROGRAPH	1
18	PAGB/T5783-M6x20	HEXAGON BOLT M6X20	4
19	PAGB/T97.1-6	WASHER, PLAIN 6	5
20	PAT85-00010008	WASHER, NYLON	1
21	PAF60-00000300	ACCELEROGRAPH BAR ASSY	1
22	PAF60-00000006	ROCKER, INCHING SWITCH	1
23	PAGB/T5783-M5x14	BOLT M5x14	1
24	PAGB/T97.1-5	WASHER 5	1
25	PAGB/T848-10	SMALL WASHER 10	1

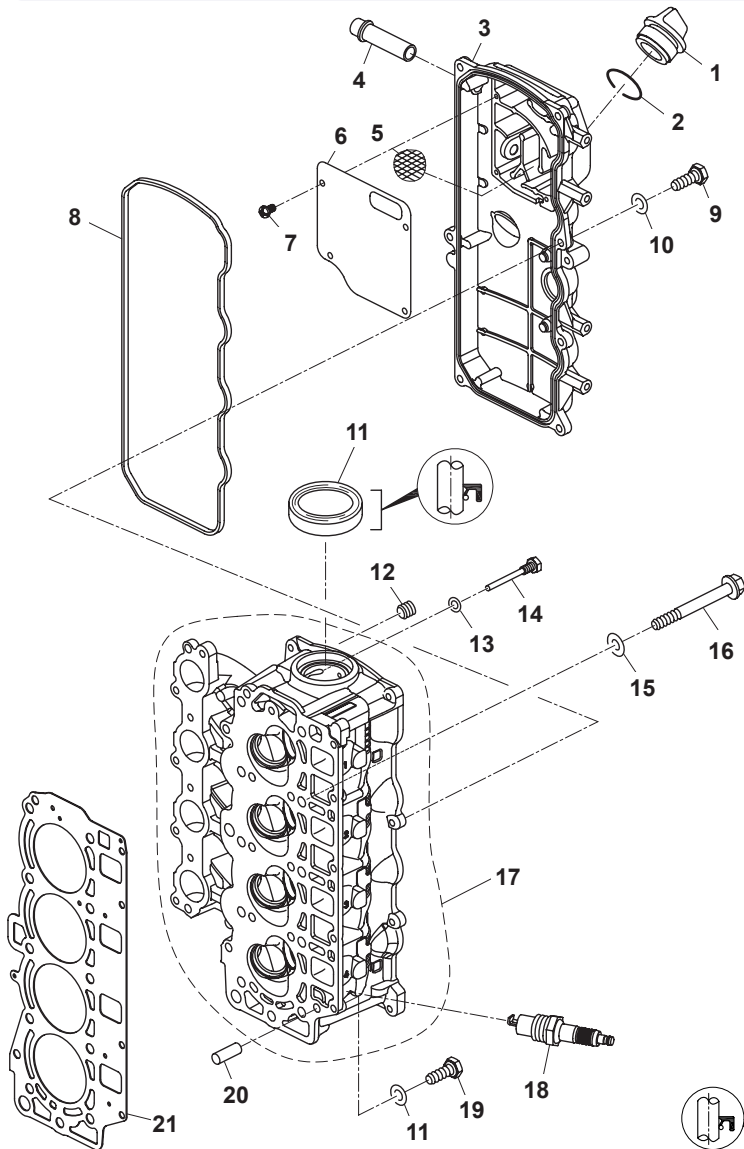
N°	Ref.	Description	Quantity
26	PAF60-00000205	BUSH, SHIFT ROD	2
27	PAF60-00000204	BRACKET, SHIFT ROD	1
28	PAT20-03000006	PLUNGER, SHIFT CAM	1
29	PAT60-00010003	SPRING PLUNGER	1
30	PAF60-00000009	SPRING PLUNGER	1
31	PAGB/T91-02x16	PIN 2x16	2
32	PAF60-00000200	CONNECTING ROD, SHIFTING	1

BLOQUE / CRANKCASE / BLOCCO



N°	Ref.	Description	Quantity	N°	Ref.	Description	Quantity
1	PAGB/T5782-M8x35	BOLT, HEXAGON M8X35	1	18	PAF40-05000037	JAM M18x1.5	1
2	PAGB/T97.1-8	WASHER 8	11	19	PAF25-05010113	NIPPLE, HOSE	1
3	PAF25-05010106	HANGER, ENGINE	1	20	PAGB/T5782-M6x35	BOLT M6X35	12
4	PAF60-05010000	CRANK CASE ASSY	1	21	PAF15-07010021	COVER, THERMOSTAT	1
5	PAF15-07010004	BLOCK, CYLINDER 1/8"	3	22	PAF15-07000031	THERMOSTAT	1
6	PAF25-00000014	PIN, DOWEL	2	23	PAF15-07010022	GASKET, THERMOSTAT	1
7	PAF25-05010104	JAM 1/2"	1	24	PAF60-05000028	WATER PIPE B 6x11x330	1
8	PAF25-05010103	JAM 3/4"	1	25	PAF60-05000047	WATER PIPE	1
9	PAF25-05000035	BOLT M8x80	10	26	PAF40-03000016	TWO WAY	1
10	PAF15-07000030	BOLT M6x35	10	27	PAF60-05000026	WATER PIPE A 6x10x500	1
11	PAGB/T97.1-6	WASHER, PLAIN 6	22	28	PAF60-05000030	WATER PIPE C 5x10x250	1
12	PAF40-00000003	GASKET, ENGINE	1	29	PAF60-05000037	WATER PIPE D 5x10x500	1
13	PAF25-05000100	OIL CLEANER	1	30	PAF60-05000050	F THREE WAY	1
14	PAF15-07010003	BOLT, UNION	1	31	PAF60-05000040	WATER PIPE F 6x10x100	1
15	PAF60-05000004	GASKET, EXHAUST COVER	1	32	PAF60-05000032	WATER PIPE	1
16	PAF60-05000005	EXHUST COVER	1				
17	PAF40-05000038	GASKET, JAM	1				

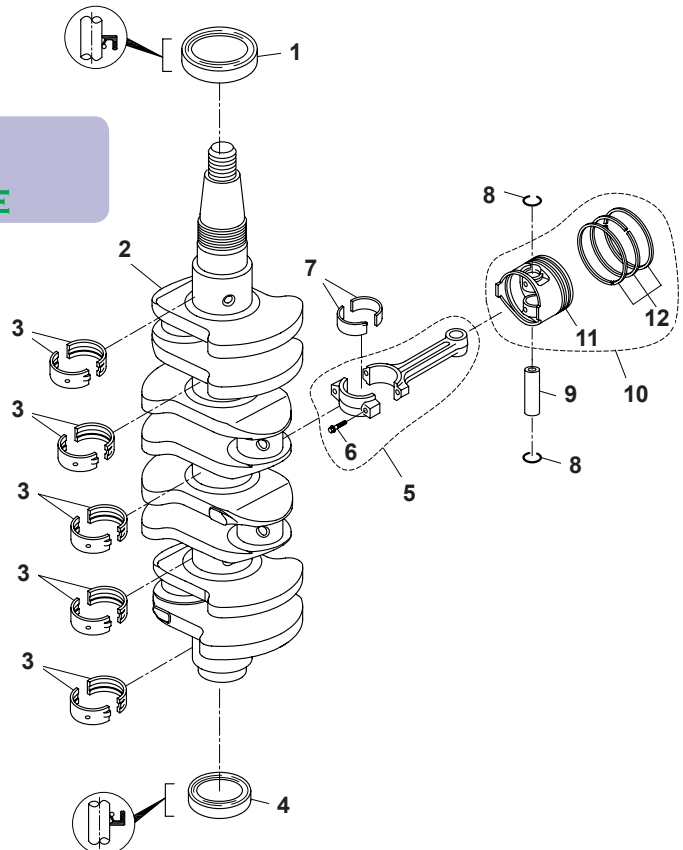
CULATA / CYLINDER HEAD / TESTATA



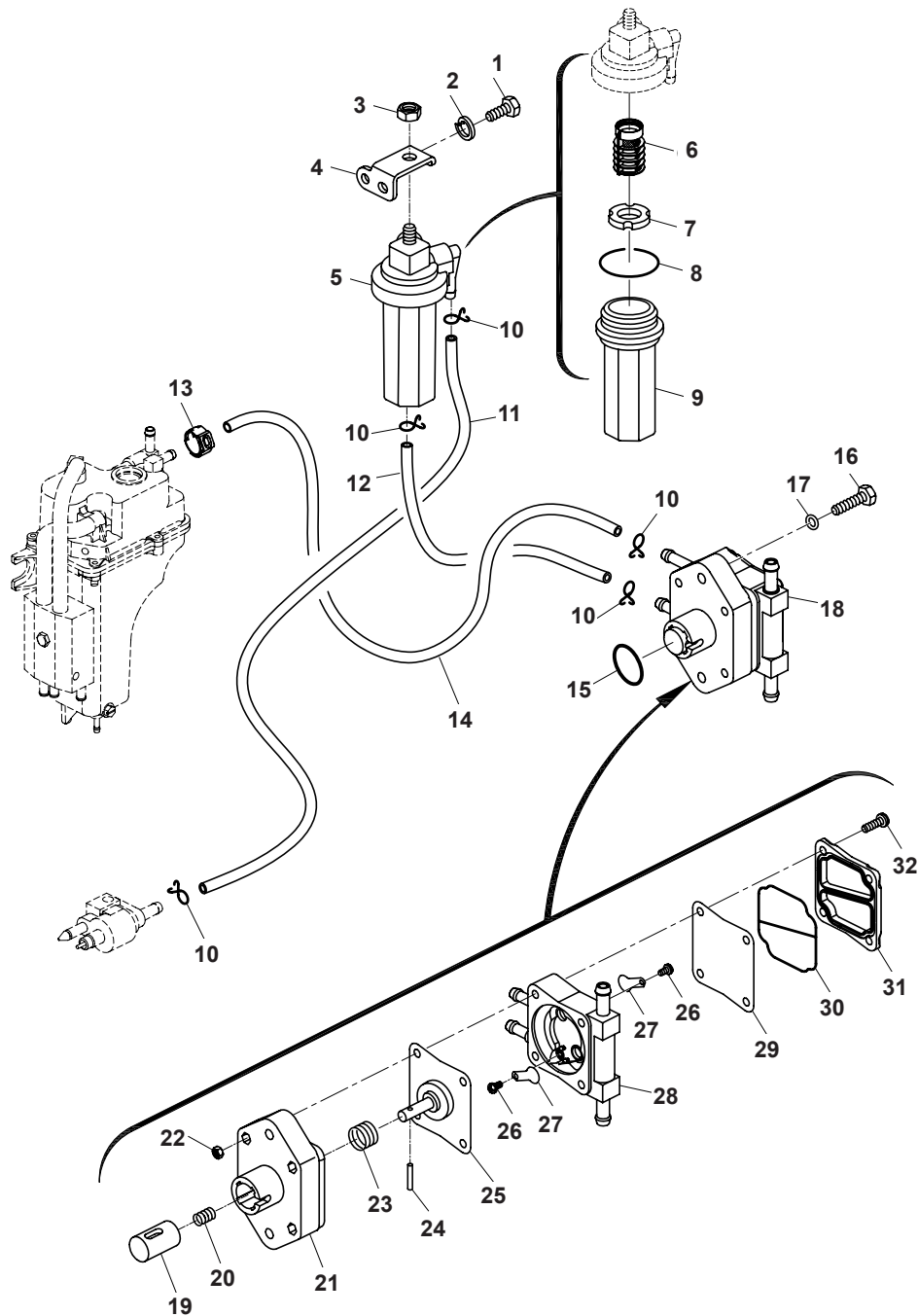
Nº	Ref.	Description	Quantity
1	PAF15-07050004	PLUG,OIL	1
2	PAASOF40435025	O RING, OIL PLUG	1
3	PAF60-05030001	COVER, CYLINDER HEAD	1
4	PAF40-5070042	CONNECTOR, BREATHER	1
5	PAF25-05010107	CLEANER	1
6	PAF60-05030002	COVER, BREATHER	1
7	PAGB/T818-M4x10	SCREW,PAN HEAD M4X10	4
8	PAF60-05000003	SEAL, CYLINDER HEAD COVER	1
9	PAGB/T5783-H16x20	BOLT M6x20	7
10	PAGB/T97.1-6	WASHER, PLAIN 6	11
11	PAF25-05050021	OIL SEAL	1
12	PAF15-07010005	PLUG 1/4	8
13	PAF25-05050007	GASKET	1
14	PAF25-05050006	BOLT	1
15	PAF25-05000003	WASHER, PLATE	10
16	PAF25-05000002	BOLT, FLANGE	10
17	PAF60-05020100	CYLINDER HEAD ASSY	1
18	NGKDPR7EA-9	SPARK PLUG DPR7EA-9	4
19	PAF8-05000022	BOLT M6x25	5
20	PAF25-00000014	PIN, DOWEL	2
21	PAF60-05000100	CYLINDER GASKET	1

CIGÜEÑAL Y PISTONES CRANKSHAFT & PISTON ALBERO MOTORE E PISTONE

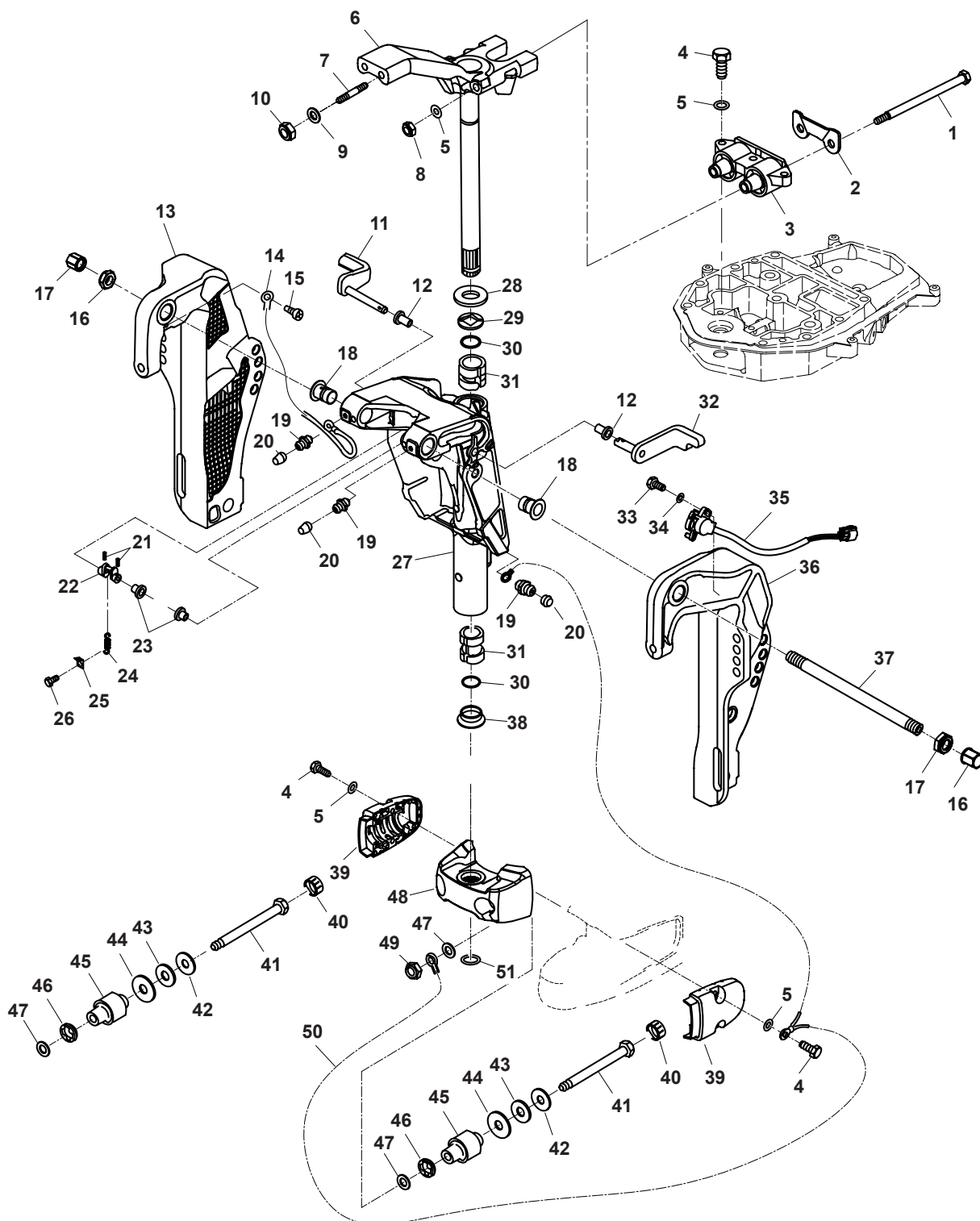
Nº	Ref.	Description	Quantity
1	PAF25-05020003	OIL SEAL B	1
2	PAF60-05000001	CRANK SHAFT	1
3	PAF25-05010302-1	MAIN BEARING	10
3	PAF25-05010302-2	MAIN BEARING	10
4	PAF25-05020002	OIL SEAL A	1
5	PAF25-05020200	ROD, CONNECTING	4
6	PAF25-05020204	BOLT, CONNECTING ROD	8
7	PAF25-05020203-1	PLANE BEARING, CONNECTING ROD (BLACK)	8
7	PAF25-05020203-2	PLANE BEARING, CONNECTING ROD (BROWN)	8
8	PAF25-05020106	CIRCLIP	8
9	PAF25-05020105	PIN, PISTON	4
10	PAF40-05020100	PISTON ASSY	4
11	PAF40-05020101	PISTON	4
12	PAF25-05020102	PISTON RING ASSY	4



BOMBA COMBUSTIBLE / FUEL SYSTEM / POMPA BENZINA



N°	Ref.	Description	Quantity	N°	Ref.	Description	Quantity
1	PAGB/T5783-M16x14	BOLT M6x14	1	17	PAGB/T97.1-6	WASHER, PLAIN 6	2
2	PAGB/T93-6	WASHER, SPRING 6	1	18	PAF40-05050000	FUEL PUMP ASSY	1
3	PAGB/T6170-M18	NUT M8	1	19	PAF25-05130004	PLUNGER	1
4	PAF40-05000036	BRACKET, FILTER CUP	1	20	PAF25-05130003	SPRING, PLUNGER	1
5	PAT85-05000300	FILTER CUP ASSY	1	21	PAF25-05130001	SEAT, FUEL PUMP	1
6	PAF15-07080001	ELEMENT, FILTER	1	22	PAGB/T6170-M15	NUT M5	4
7	PAT85-05000302	F10ATER	1	23	PAF25-05130002	SPRING, DIAPHRAGM	1
8	PAGB/T3452.1-32.5x1.8	WASHER, CUP FILTER Ø32.5x1.8	1	24	PAF25-05130008	ROLLER NEEDLE 4x16.5	1
9	PAT85-05000301	CUP, FILTER	1	25	PAF25-05130100	DIAPHRAGM ASSY	1
10	PAF4-04000030	SPRING, FUEL PIPE"B"	6	26	PAF4-04090011	SCREW, VALVE	2
11	PAF60-03000012	FUEL PIPE A 5x10x650 (EPA)	1	27	PAF4-04090005	PLATE	2
12	PAF60-05000051E1	FUEL PIPE (EPA)	1	28	PAF40-05050200	FUEL PUMP SHELL ASSY	1
13	PAS7133-13.3	SINGLE LUG CLAMP	1	29	PAF25-05130005	DIAPHRAGM, TOP	1
14	PAF60-05000006	FUEL PIPE B 6x12.5x730 (EPA)	1	30	PAF25-05130006	SEAL, FUEL PUMP	1
15	PAGB/T3452.1-25x3.0	O-RING 25x3.0	1	31	PAF25-05130007	COVER, FUEL PUMP	1
16	PAGB/T5783-M16x30	BOLT M6x30	2	32	PAGB/T818-M5x40	SCREW M5x40	4

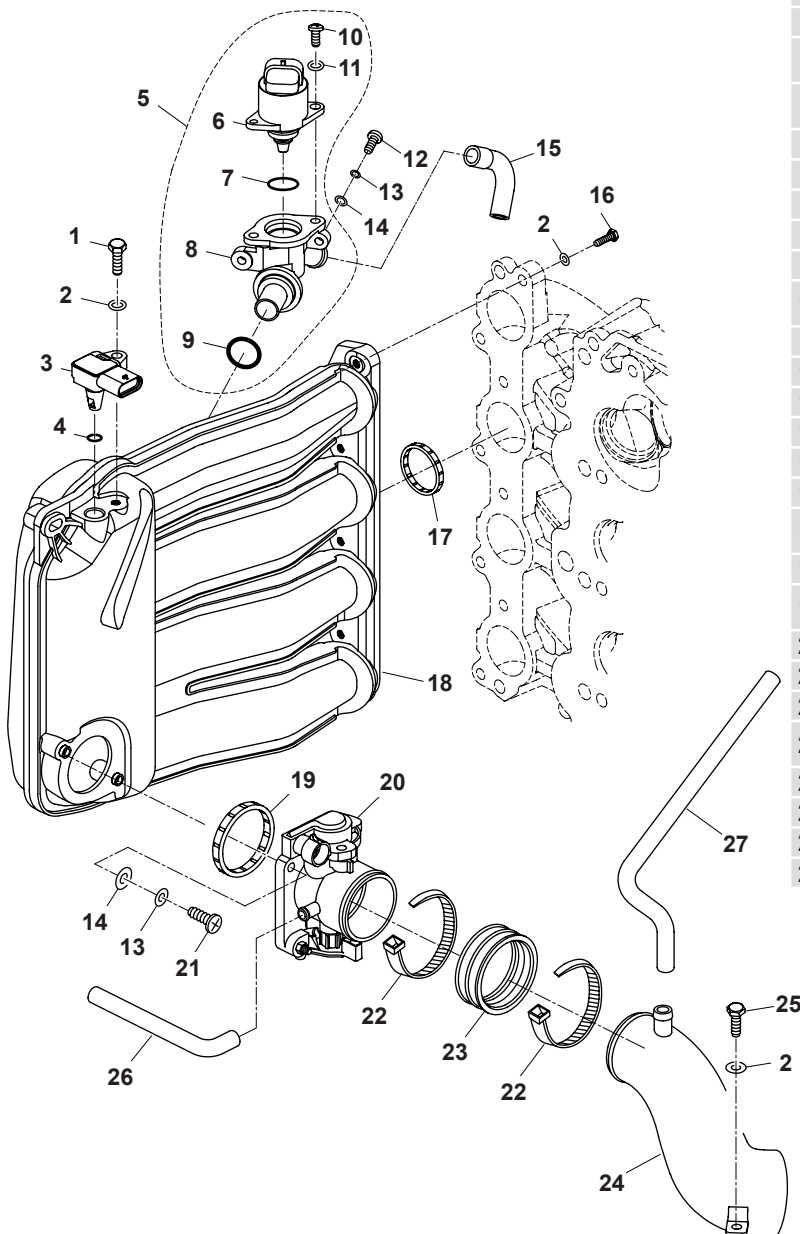


N°	Ref.	Description	Quantity	N°	Ref.	Description	Quantity
1	PAF60-02000011	LONG BOLT	2	10	PAGB/T889.2-M110x1.25	LOCK NUT M110x1.25	2
2	PAF60-02000010	PLATE, ABSORBER	1	11	PAF60-01010104	SUPPORTING ASSY B	1
3	PAF60-02020000	SHOCK ABSORBER ASSY, DOUBLE HOLE	1	12	PAT85-01010203	BUSH, NYLON	2
4	PAGB/T5783-M8x30	BOLT M8X30	7	13	PAF60-01010002	BRACKET, CLAMP (RIGHT)	1
5	PAGB/T97.1-8	WASHER 8	9	14	PAT85-01010003	WIRE, LEAD A	1
6	PAF60-01020000	BRACKET, ASSY	1	15	PAGB/T818-M6x10	SCREW, PAN HEAD M6X10	1
7	PAT85-01020008	BOLT M10x1.25x28	2	16	PAF15-01010007	NUT, SELF-LOCKING	2
8	PAGB/T889.1-M18x1.25	LOCK NUT M8x1.25	2	17	PAF25-01010011	NUT, PLASTIC	2
9	PAGB/T97.1-10	WASHER 10	2	18	PAF60-01010004	BUSH, NYLON	2

Nº	Ref.	Description	Quantity
19	PAJB/T7940.1-M6	NIPPLE, GREASE	3
20	PAT85-01010210	CAP, GREASE NIPPLE	3
21	PAGB/T879.2-3x16	PIN, SPRING	2
22	PAT85-01010206	BAR ASSY, SUPPORT BRACKET	1
23	PAF60-01010103	BUSH, NYLON	2
24	PAT85-01010207	SPRING	1
25	PAT85-01010208	PLATE	1
26	PAGB/T5783-M6x10	BOLTM6X10	1
27	PAF60-01010101	BRACKET	1
28	PAT85-01020002	WASHER	1
29	PAT85-01020003	BUSH	1
30	PAT85-01020004	O-RING	2
31	PAT85-01020005	BUSH	2
32	PAF60-01010102	SUPPORTING ASSY A	1
33	PAGB/T5783-M6x20	HEXAGON BOLT M6X20	2
34	PAGB/T97.1-6	WASHER, PLAIN 6	2
35	PAF60-01010200	RAISE SENSOR ASSY	1

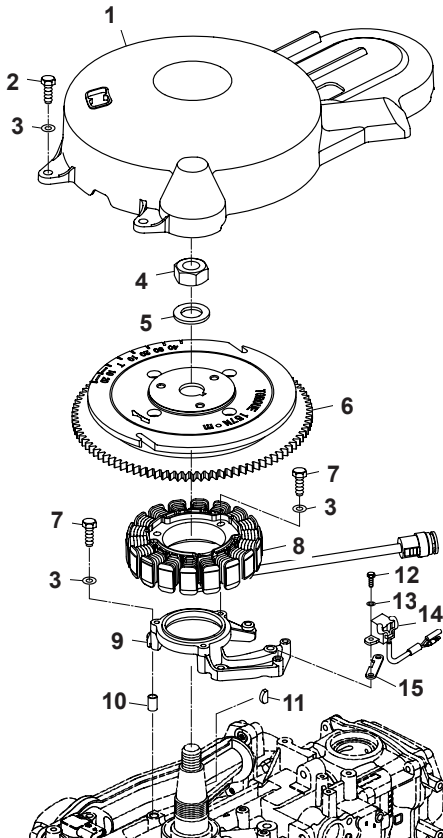
Nº	Ref.	Description	Quantity
36	PAF60-01010001	BRACKET, CLAMP (RIGHT)	1
37	PAF60-01010003A	DOUBLE-EDGED TUBE	1
38	PAT85-01020006	BUSH	1
39	PAF60-00000005	COVER, ABSORBER	2
40	PAF60-00000004	COVER, NUT	2
41	PAF60-00000001	SCREW, ABSORBER	2
42	PAT85-00000002	WASHER A	2
43	PAT36-02020003	WASHER, RUBBER	2
44	PAF60-00000003	PLATE	2
45	PAF60-00000100	ABSORBER ASSY (LEFT, RIGHT)	2
46	PAF60-00000002	WHASER, RUBBER	2
47	PAT85-00000020	WAHSER	4
48	PAF60-01000001	ABSORBER BLOCK	1
49	PAGB/T6170-M12x1.25	LOCK NUT	2
50	PAF60-02000002	TIGHTWIRE, EARTHING	1
51	PAT85-01020010	CIRCLIP	1

ADMISIÓN / INTAKE / ASPIRAZIONE



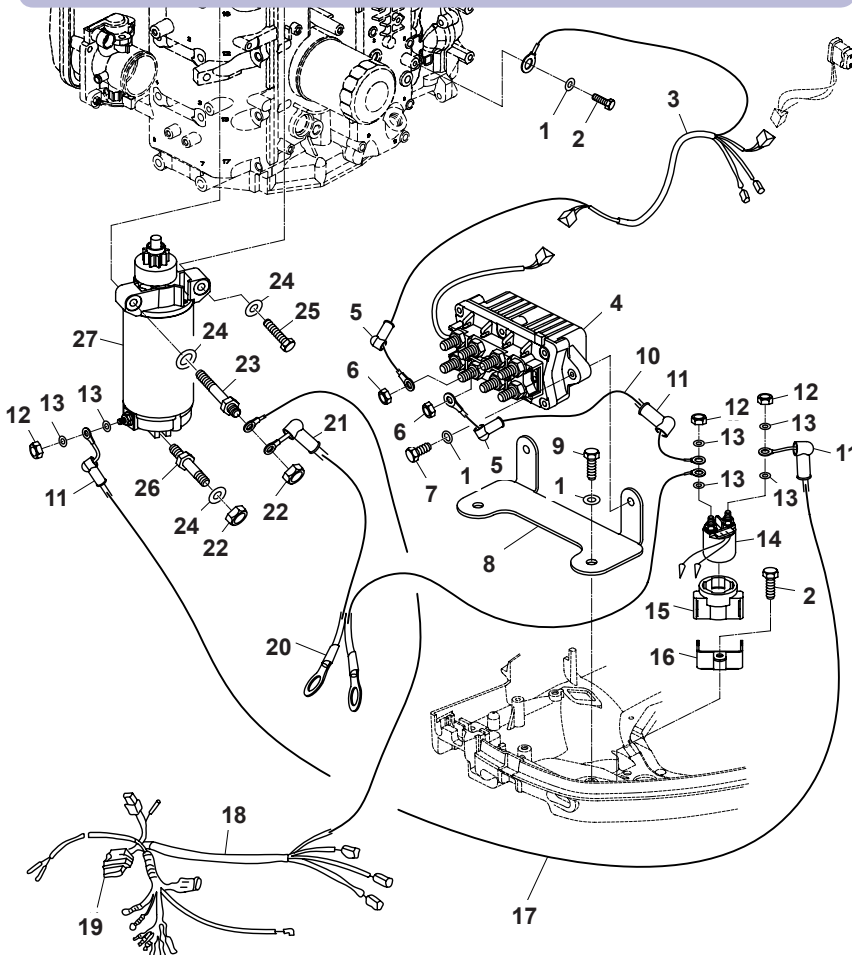
Nº	Ref.	Description	Quantity
1	PAGB/T5783-M6x20	HEXAGON BOLT M6X20	1
2	PAGB/T97.1-6	WASHER, PLAIN 6	9
3	PAF40-05090600EI	SENSOR, INTAKE TEMPERATURE	1
4	PAF40-05090601EI	O-RING, TEMPERATURE SENSOR	1
5	PAF40-05090500EI	CONTROL VALVE, IDLE	1
6	PAF40-05090503EI	STEP MOTOR	1
7	PAF40-05090503-1EI	O-RING, STEP MOTOR	1
8	PAF40-05090501EI	IDLE CONTROL	1
9	PAF40-05090502EI	O RING, IDLE VALVE	1
10	PAGB/T818-M4x10	SCREW, PAN HEAD M4X10	2
11	PAGB/T97.1-4	WASHER 4	2
12	PAGB/T818-M5x14	BOLT M5x14	2
13	PAGB/T93-5	SPRING WASHER 5	4
14	PAGB/T97.1-5	WASHER 5	4
15	PAF40-05000026EI	IDLE CONTROL PIPE	1
16	PAGB/T5783-M6x25	HEXAGON BOLT M6x25	6
17	PAF40-05090803EI	SEAL, INTAKE SILENCER	3
18	PAF60-05001100	INTAKE SILENCER	1
19	PAF40-05090403EI	SEAL, THROTTLE VALVE	1
20	PAF40-05090400EI	THROTTLE VALVE ASSY	1
21	PAGB/T818-M5x20	BOLT M5x20	2
22	PAHT4.0x300	CLAMP 4.0x300	2
23	PAF40-05090408EI	RUBBER BOOT, THROTTLE VALVE	1
24	PAF60-05000043	GUILD PIPE, THROTTLE	1
25	PAGB/T5783-M6x16	HEXAGON BOLT M6X16	1
26	PAF60-05000011	AIR PIPE A	1
27	PAF60-05000048	AIR PIPE	1

ELECTRICIDAD 1 / ELECTRICAL 1 / PARTE ELETTRICA 1



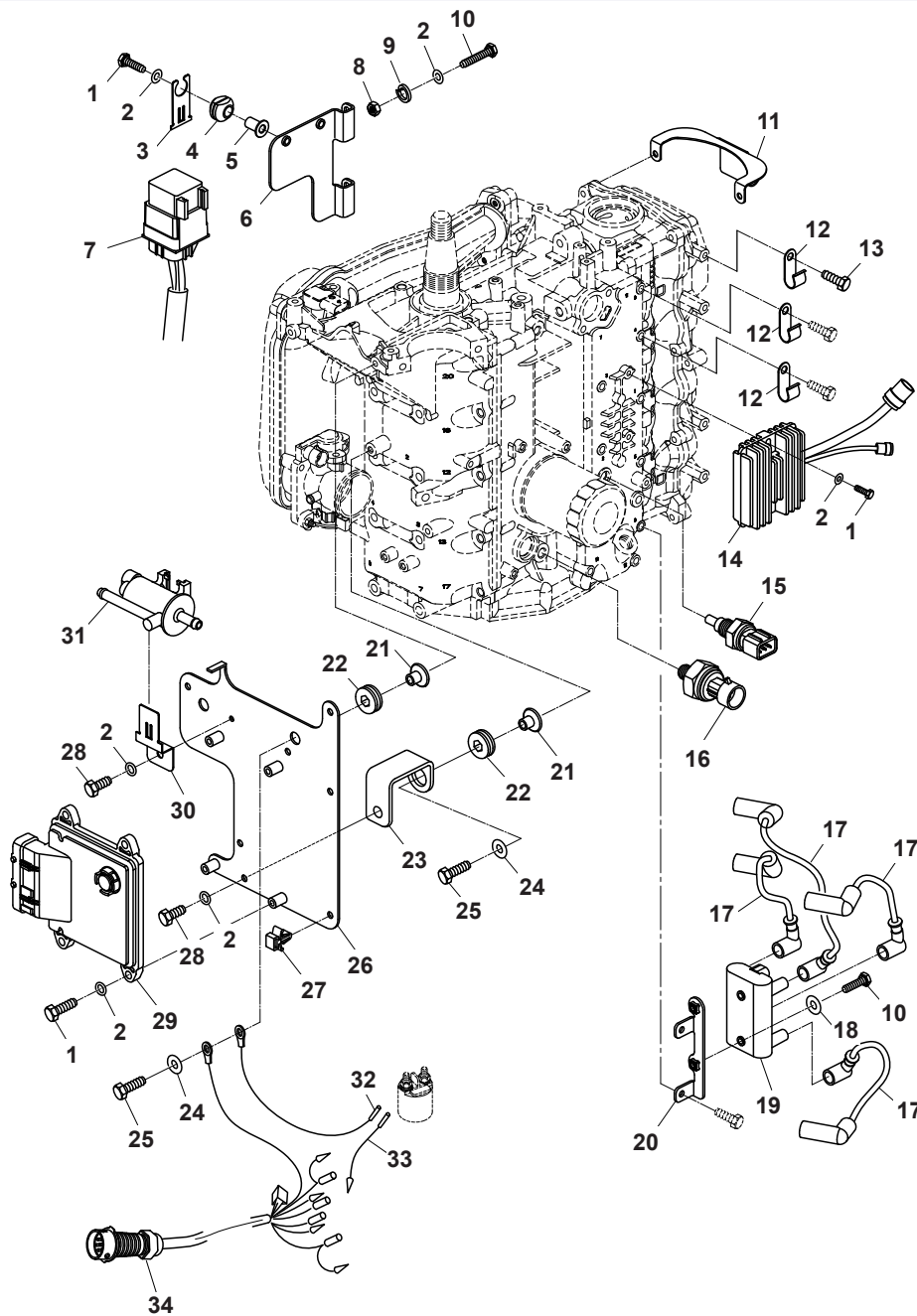
N°	Ref.	Description	Qty
1	PAF60-05000041	COVER, FLY WHEEL	1
2	PAGB/T5783-M6x20	HEXAGON BOLT M6X20	4
3	PAGB/T97.1-6	WASHER, PLAIN 6	11
4	PAF25-05000026	NUT	1
5	PAF25-05000025	WASHER, FLYWHEEL NUT	1
6	PAF60-05000300	FLY WHEEL	1
7	PAGB/T5783-M6x30	BOLT HEXAGON M6X30	7
8	PAF40-05000600EI	MAGNETO COIL ASSY	1
9	PAF40-05000034	BRACKBT, COIL	1
10	PAF8-00000005	DOWEL PIN Ø8x10	2
11	PAF25-05000024	KEY, SEMISIRCLE FLYWHEEL	1
12	PAGB/T5783-M5x12	BOLT M5X12	2
13	PAGB/T97.1-5	WASHER 5	2
14	PAF60-05000200	IMPULSE COIL ASSY	1
15	PAF60-05000052	PLATE, IMPULSE	1

ELECTRICIDAD 2 ELECTRICAL 2 PARTE ELETTRICA 2

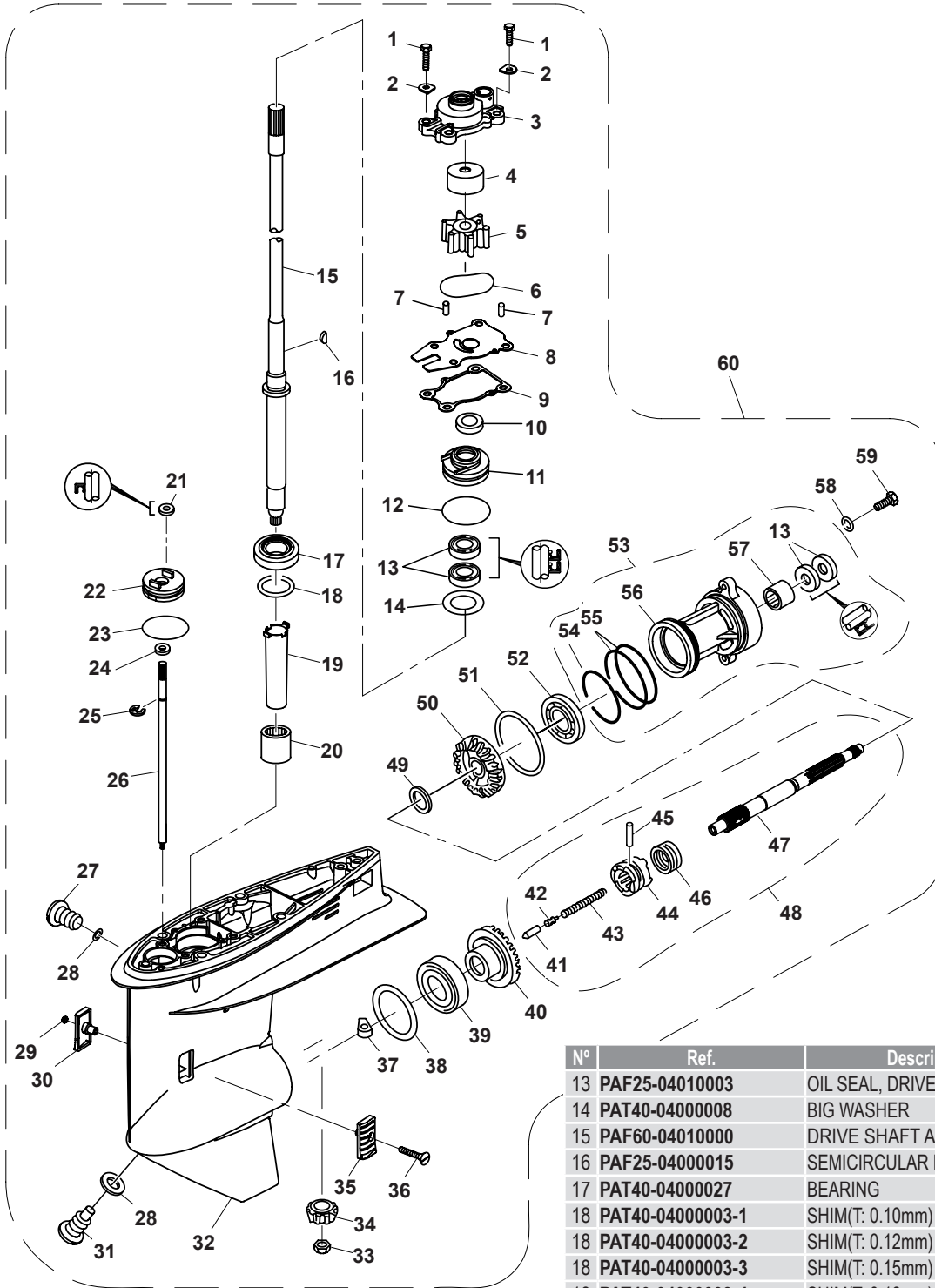


N°	Ref.	Description	Qty
1	PAGB/T97.1-6	WASHER, PLAIN 6	5
2	PAGB/T5783-M6X10	BOLTM6X10	2
3	PAF60-05000800	WIRING HARNESS, HYDRAULIC TILT	1
4	PAT85-05030200	RELAY ASSY JACKET, POWER CONNECTING WIRE	1
5	PAF15-07150501W	CONNECTING WIRE	2
6	PAGB/T6170-M6	NUT M6	2
7	PAGB/T5783-M6X20	HEXAGON BOLT M6X20	2
8	PAF40-03000013EI	FIXED BRACKET, TILT RELAY	1
9	PAGB/T5783-M6X12	BOLT, HEXAGON M6X12	2
10	PAT85-05030002	CONNECT LINE, RELAY COVERING B, POWER SOURCE LINE	1
11	PAF25-05170202W	CONNECT LINE, ELECTROMOTOR	3
12	PAGB/T6170-IV16	NUT M6	3
13	PAGB/T97.1-6	WASHER, PLAIN 6	6
14	PAF15-07150300W	RELAY, MOTOR	1
15	PAF15-07150301W	JACKET, RELAY	1
16	PAT60-03000300W	RELAY BRACKET	1
17	PAT85-05000022	CONNECT LINE, WIRING HARNESS, ECU CONTROL	1
18	PAF60-05000900	WIRING HARNESS, ECU CONTROL	1
19	PAF40-05001000-1EI	FUSE WIRE (40A)	1
	PAF40-05001000-2EI	FUSE WIRE (20A)	1
	PAF40-05001000-3EI	FUSE WIRE (15A)	1
	PAF40-05001000-4EI	FUSE WIRE (7.5A)	1
20	PAT85-05000023	CONNECTION LINE, POWER COVERING A, POWER SOURCE LINE	1
21	PAF25-05170201W	CONNECTION LINE, POWER SOURCE LINE	1
22	PAGB/T6170-M8	NUT M8	1
23	PAF25-05170001W	FIXATION BOLT, MOTOR	1
24	PAGB/T97.1-8	WASHER 8	3
25	PAGB/T5783-M8X45	BOLT M8x45	1
26	PAF60-05000042	SCREW, START MOTOR	1
27	PAF60-05000500	START MOTOR	1

ELECTRICIDAD 3 / ELECTRICAL 3 / PARTE ELETTRICA 3



Nº	Ref.	Description	Quantity	Nº	Ref.	Description	Quantity
1	PAGB/T5783-M6x25	HEXAGON BOLT M6x25	8	18	PAGB/T96-6	LARGE WASHER 6	2
2	PAGB/T97.1-6	WASHER, PLAIN 6	12	19	PAF60-05000600	IGNITION COIL	1
3	PAF40-05091401EI	BRACKET, MAIN RELAY	2	20	PAF60-05000023	FIXED PLATE, IGNITION COIL	1
4	PAF40-05091402EI	DAMPER, MAIN RELAY	2	21	PAF15-07000021	BUSHING, INTAKE SILENCER	3
5	PAT40-05000028	TUBE, IGNITER	2	22	PAF8-05000007	DAMPER	3
6	PAF40-05000060EI	FIXED PLATE, MAIN RELAY	1	23	PAF60-05000031	FIXED PLATE	1
7	PAF40-05091400EI	MAIN RELAY	2	24	PAFS-05000021	BIG WASHER	3
8	PAGB/T6170-M6	NUT M6	2	25	PAGB/T5783-M6x20	HEXAGON BOLT M6X20	3
9	PAGB/T93-6	WASHER, SPRING 6	2	26	PAF40-05000009-1EI	FIXED PLATE, ECU	1
10	PAGB/T5782-M6x35	BOLT M6X35	2	27	PAHDB-6x1.5	FIXED SEAT	4
11	PAF40-05000059EI	CLAMP C	4	28	PAGB/T5783-M6x12	BOLT, HEXAGON M6X12	2
12	PAF40-05000003	CLAMP	1	29	PAF60-05001000	ECU UNIT	1
13	PAGB/T5783-M6x10	BOLTM6X10	3	30	PAF40-05000049EI	FIXED PLATE, MAGNETIC VALVE	1
14	PAF40-05000500EI	RECTIFIER ASSY	1	31	PAF40-05091500EI	MAGNETIC VALVE, CARBON POT	1
15	PAF40-05090700EI	SENSOR, WATER TEMPERATURE	1	32	PAF60-05000036	CONNECT WIRE (BLACK), RELAY	1
16	PAF40-05000042EI	OIL PRESSURE SENSOR	1	33	PAT85-05030003	CONNECT WIRE (ROWN),RELAY	1
17	PAF60-05000601	HIGH VOLTAGE WIRE	4	34	PAF40-05030500EI	C.D.I CABLE ASSY	1



N°	Ref.	Description	Quantity
1	PAGB/T5783-M8x30	BOLT M8X30	4
2	PAT40-04000012	PLATE, WATER PUMP	4
3	PAF60-04000401	WATER PUMP COVER	1
4	PAT40-04000202	INNER SHELL, WATER PUMP	1
5	PAF60-04000300	IMPELLER, WATER PUMP	1
6	PAT40-04000205	O-RING	1
7	PAF25-04000007	PIN, DOWEL	2
8	PAF60-04000009	OUTER PLATE	1
9	PAT40-04000010	GASKET, WATER PUMP SEAT	1
10	PAF60-04000008	COVER, OIL SEAL	1
11	PAT40-04040001	CASING A, OIL SEAL	1
12	PAJASOF40424-50	O RING, OIL SEAL CASING	1

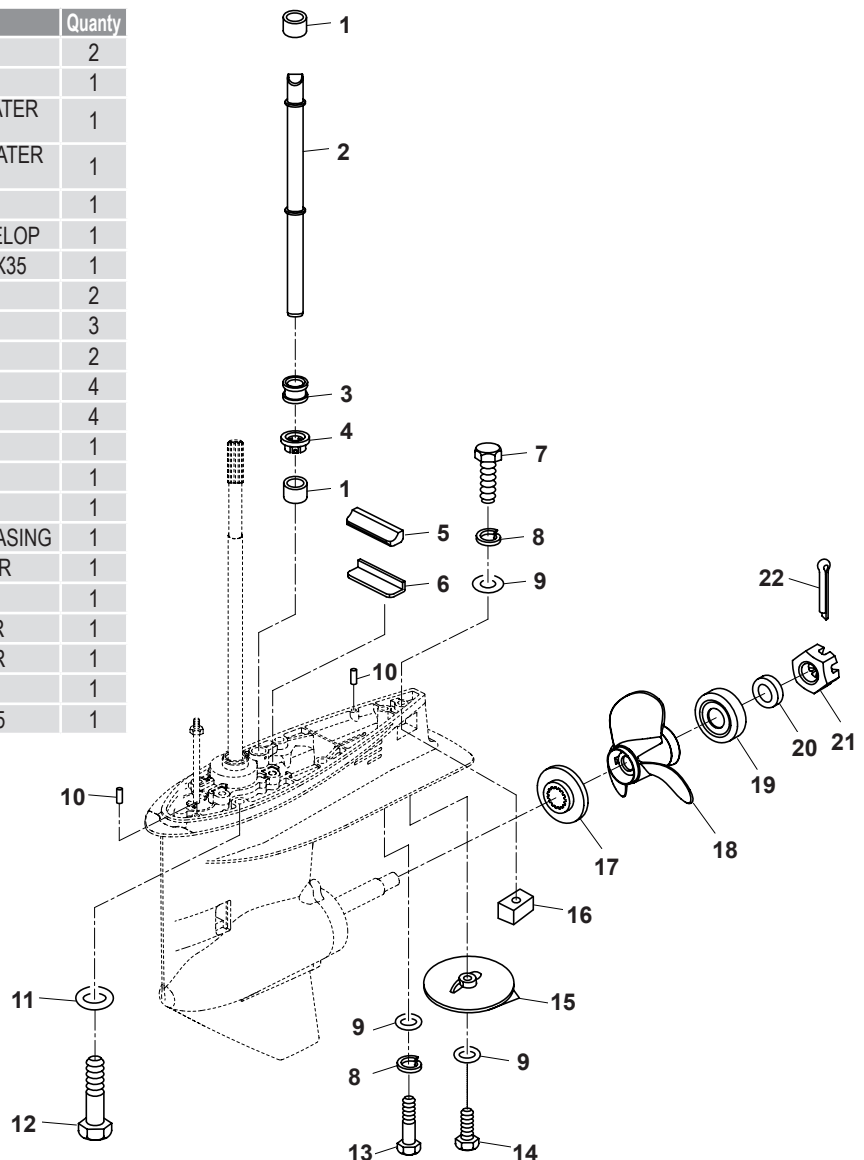
N°	Ref.	Description	Quantity
13	PAF25-04010003	OIL SEAL, DRIVE SHAFT	4
14	PAT40-04000008	BIG WASHER	1
15	PAF60-04010000	DRIVE SHAFT ASSY	1
16	PAF25-04000015	SEMICIRCULAR KEY	1
17	PAT40-04000027	BEARING	1
18	PAT40-04000003-1	SHIM(T: 0.10mm)	
18	PAT40-04000003-2	SHIM(T: 0.12mm)	
18	PAT40-04000003-3	SHIM(T: 0.15mm)	
18	PAT40-04000003-4	SHIM(T: 0.18mm)	
18	PAT40-04000003-5	SHIM(T: 0. 30mm)	
18	PAT40-04000003-6	SHIM(T: 0. 40mm)	
18	PAT40-04000003-7	SHIM(T: 0. 50mm)	
19	PAT40-04000002	BUSHING, NYLON	1
20	PAT40-04000026	BEARING	1
21	PAT85-04000011	OIL SEAL,CAM SHAFT 9x19x5	1
22	PAF60-04000101	COVER, SHIFTING CAM	1
23	PAJASOF40431-035	O-RING	1
24	PAJASOF40419-007	O-RING BOLT	1
25	PAGB/T896-8	CIRCLIP 8	1
26	PA60-04000004	SHIFTING CAM	1
27	PAF4-03000023	PLUG, GEAR BOX	1
28	PAF4-03000024	GASKET, GEAR BOX PLUG	2

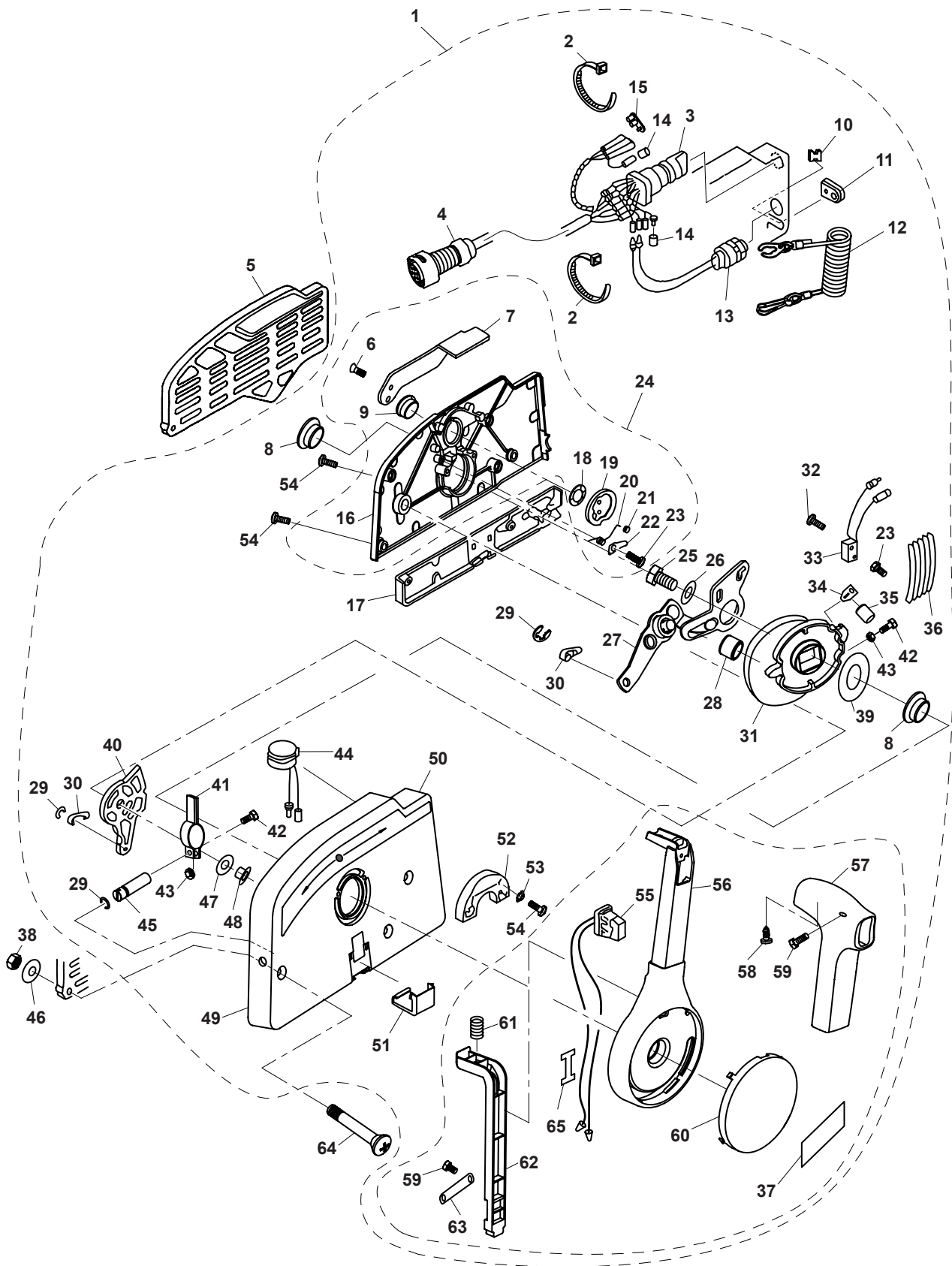
Nº	Ref.	Description	Quantity
29	PAGB/T889.1-M5	NUT, LOCKING M5	1
30	PAT40-04000023	WATER INLET B	1
31	PAF25-04000031	PLUG, DRAIN	1
32	PAF60-04000001	LOWER CASING	1
33	PAT40-04000006	NUT, PINLON	1
34	PAF60-04000002	PINION	1
35	PAT40-04000022	WATER INLET A	1
36	PAGB/T820-M5x30	SCREW, PAN HEAD M5X30	1
37	PAF60-04000003	SHIFTING CAM	1
38	PAT40-04000004-1	SHIM (T:0.10 mm)	
38	PAT40-04000004-2	SHIM (T:0.12 mm)	
38	PAT40-04000004-3	SHIM (T:0.15 mm)	
38	PAT40-04000004-4	SHIM (T:0.18 mm)	
38	PAT40-04000004-5	SHIM (T:0.30 mm)	
38	PAT40-04000004-6	SHIM (T:0.40 mm)	
38	PAT40-04000004-7	SHIM (T:0.50 mm)	
39	PAKOYOHI-CAP332/32	ROLLER BEARING 332/32	1
40	PAF60-04000600	FORWARD GEAR ASSY	1
41	PAF60-04020005	PLUNGER, SHIFTING	1
42	PAT36-03000403	SPACER, CLUTCH	1
43	PAF60-04020002	SPRING, CLUTCH	1
44	PAF60-04020003	CLUTCH	1

Nº	Ref.	Description	Quantity
45	PAT40-04050004	PIN, CLUTCH	1
46	PAT40-04050005	ANNULAR SPRING, CLUTCH	1
47	PAF60-04020001	PROPELLER SHAFT	1
48	PAF60-04020000	PROPELLER SHAFT ASSY	1
49	PAT40-04050007	WASHER, REVERSE GEAR	1
50	PAF60-04000500	REVERSE GEAR	1
51	PAT40-04060005-L	SHIM (T: 0.10 mm)	
51	PAT40-04060005-2	SHIM (T: 0.12 mm)	
51	PAT40-04060005-3	SHIM (T: 0.15 mm)	
51	PAT40-04060005-4	SHIM (T: 0.18 mm)	
51	PAT40-04060005-5	SHIM (T: 0.30 mm)	
51	PAT40-04060005-6	SHIM (T: 0.40 mm)	
51	PAT40-04060005-7	SHIM (T: 0.50 mm)	
52	PAT40-04000025	BEARING	1
53	PAF60-04030000	COVER ASSY, LOWER CASING	1
54	PAT40-04060002	O-RING A, COVER	1
55	PAT40-04060003	O-RING B, COVER	2
56	PAT40-04060001	COVER, LOWER CASING	1
57	PAT40-04000028	BEARING	1
58	PAGB/T97.1-8	WASHER 8	2
59	PAGB/T5783-M8x25	BOLT M8x25	2
60	PAF60-04000000	LOWER CASING ASSY	1

COLA INFERIOR 2 / LOWER CASING & DRIVE 2 / PARTE INFERIORE PIEDE 2

Nº	Ref.	Description	Quantity
1	PAT40-04000203	SEAL	2
2	PAF60-02000007	WATER TUBE	1
3	PAT40-02000002	GUIDE BUSHING, WATER PIPE	1
4	PAT40-04000204	NYLON BUSHING, WATER PIPE	1
5	PAT40-04000014	WATER ENVELOP	1
6	PAT40-04000013	PLATE, WATER ENVELOP	1
7	PAGB/T5782-M8x35	BOLT, HEXAGON M8X35	1
8	PAGB/T93-8	WASHER, SPRING 8	2
9	PAGB/T97.1-8	WASHER 8	3
10	PAF15-00000006	PIN, DOWEL	2
11	PAGB/T97.1-10	WASHER 10	4
12	PAF40-02000010	BOLT M10x1.25x40	4
13	PAGB/T5782-M8x65	BOLT M8x65	1
14	PAGB/T5783-M8x25	BOLT M8x25	1
15	PAT40-00000010	ANODE	1
16	PAT40-00000009	ANODE A, LOWER CASING	1
17	PAT40-04000018	SPACER, PROPELLER	1
18	PAT40-04070000	PROPELLER ASSY	1
19	PAT40-04000019	BUSH A, PROPELLER	1
20	PAT40-04000020	BUSH B, PROPELLER	1
21	PAT40-04000021	NUT	1
22	PAGB/T91-3.2x25	PIN,COTTER Ø3.2X25	1

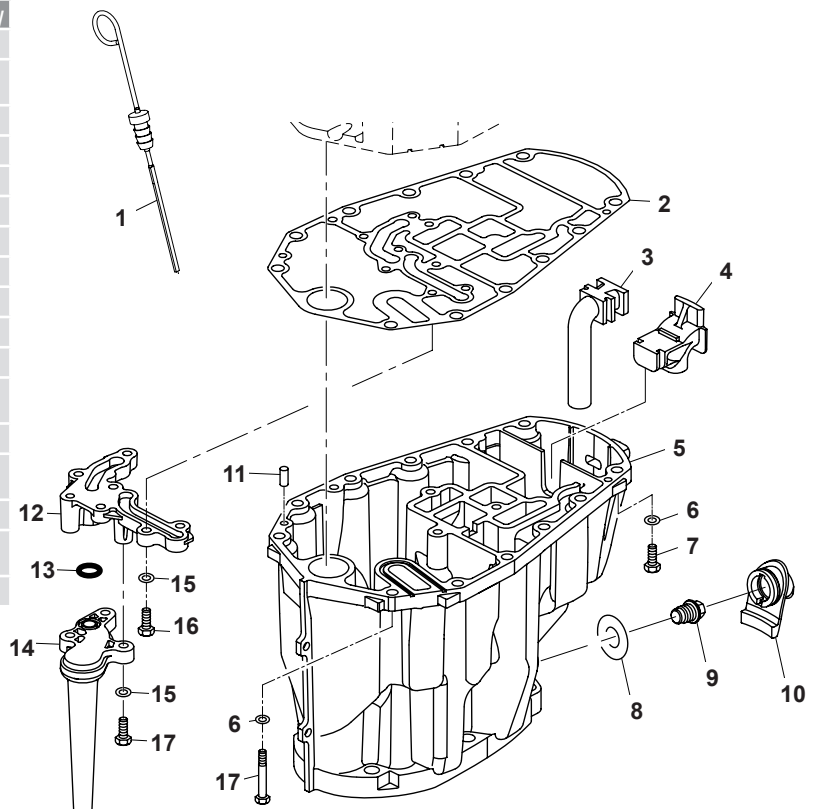




N°	Ref.	Description	Quantity	N°	Ref.	Description	Quantity
1	PAF40-13000000EI	CONTROL BOX ASSY	1	34	PAF15-13000003W	PLATE	1
2	PAHT2.5x60	CLAMP	2	35	PAF15-13000004W	PULLEY	1
3	PAF40-13000200EI	STARTING SWICH ASSY	1	36	PAF15-13000001W	SHIFT SPRING PLATE "B"	5
4	PAF40-08010100EI	CONTROL CABLE	1	37	PAF15-12000016W	MARK 16	1
5	PAF15-11000002W	PLATE, CONTROL BOX	1	38	PAGB/T6170-M6	BOLT M6	3
6	PAGB/T819.2-M5x12	SCREW PAN HEAD M5X12	2	39	PAF15-13000008W	WEARABLE PLATE, CAM MACHANISM	1
7	PAF15-13020007W	THROTTLE HANDLE, INCHING	1	40	PAF15-13000700W	SHIFT SWING LINK	1
8	PAF15-13000005W	BUSH, CAM	2	41	PAF15-13000601W	ADJUSTER FASTNESS ASSY	1
9	PAF15-13020006W	BUSH, HANDLE	1	42	PAGB/T5783-M5x25	BOLT M5X25	2
10	PAF15-11000001W	BLOCK, RUBBER	1	43	PAGB/T6170-M5	NUT M5	2
11	PAF15-13000014W	JACKET, CABLE	1	44	PAF15-13000300W	BUZZER ASSY	1
12	PAF4-01090401	STOPER, HANG ROPE ASSY	1	45	PAF15-13000602W	ADJUSTER PIN	1
13	PAF15-13000400W	ENGINE STOP SWICH ASSY	1	46	PAGB/T5287-6	WASHER, OUTSIZE 6	3
14	PAF15-13000203W	INSULATED PLUG "B"	2	47	PAF15-13000006W	WEARABLE PLATE	1
15	PAF15-13000202W	INSULATED PLUG "A"	1	48	PAF15-13000011W	BUSH, SHIFT SWING LINK	1
16	PAF15-13020001W	COVER, CONTROL BOX	1	49	PAF15-13000012W	BRACKET, CONTROL BOX	1
17	PAF15-13000013W	SMALL COVER, CONTROL BOX	1	50	PAF15-12000013W	MARK 13	1
18	PAF15-13020005W	WASHER "B", WAVE	1	51	PAF15-13000015W	COVER, WATERPROOF	1
19	PAF15-13020100W	LOCKED DISK ASSY	1	52	PAF15-13010010W	BLOCK, CONTROL HANDLE	1
20	PAF15-13020002W	TORSION SPRING	1	53	PAGB/T956.1-5	WASHER, LOCKED 5	2
21	PAF15-13020003W	EACH LOCKED PULLEY	1	54	PAGB/T819.2-M5x18	SCREW, PAN HEAD M5X18	7
22	PAF15-13020004W	PLATE, PULLEY SPRING	1	55	PAE4-10040100W	SWITCH ASSY, TILT	1
23	PAGB/T818-M4x6	BOLT	2	56	PAF15-13010001W	CONTROL HANDLE	1
24	PAF15-13020000W	COVER ASSY, CONTROL BOX	1	57	PAF15-13010002W	CONTROL HANDLEBAR	1
25	PAGB/T5783-M8x30	BOLT M8X30	1	58	PAGB/T84.5-ST4.8x12	SCREW, PAN HEAD ST4.8X12	1
26	PAGB/T97.1-8	WASHER 8	1	59	PAGB/T818-M4x10	SCREW, PAN HEAD M4X10	3
27	PAT20-13000500W	MACHINE, CONTROL ACCELEROGRAPH	1	60	PAF15-13010009W	COVER, CONTROL HANDLE	1
28	PAF15-13000007W	WASHER	1	61	PAF15-13010005W	SPRING, COMPRESSION	1
29	PAGB/T896-6	CIRCLIP 6	3	62	PAF15-13010004W	PART, ORIENTATION CONTROL	1
30	PAF25-07000007W	CONTROL CABLE TIE IN "B"	2	63	PAF15-13010008W	PLATE, ORIENTATION PART	1
31	PAF15-13000002W	CAM MECHANISM	1	64	PAGB/T820-M6x90	SCREW, PAN HEAD M6X90	3
32	PAGB/T818-M3x14	SCREW M3x14	2	65	PAE4-07020015W	CHAFING PLAATE, WIRE	1
33	PAF15-13000800W	JIGGLE SWITCH	1				

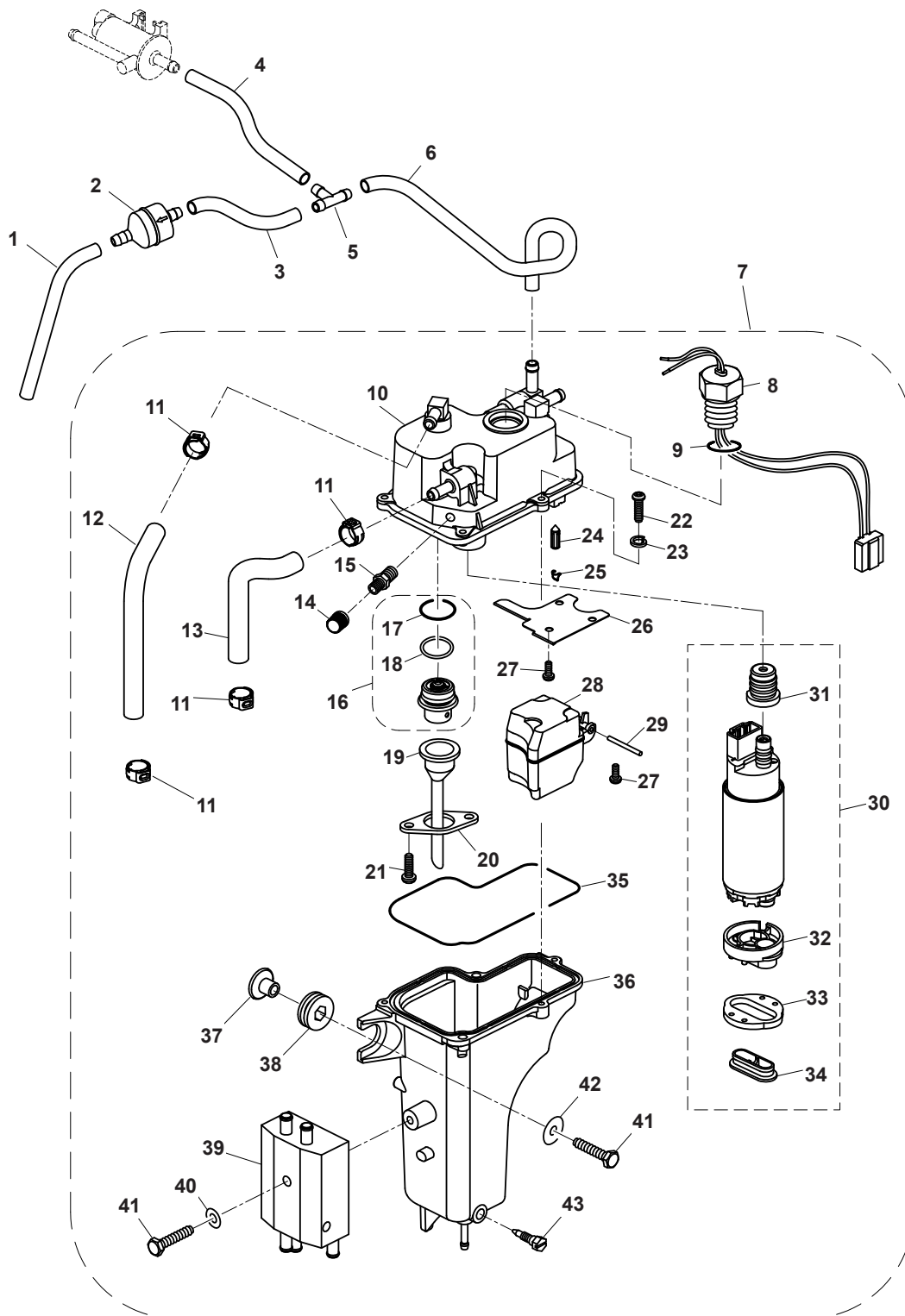
CARTER / OIL PAN / COPPA L'OLLIO

N°	Ref.	Description	Quantity
1	PAF60-05000021	OIL DIPSTICK	1
2	PAF60-02010003	GASKET, EXHAUST MANIFOLD SEAT	1
3	PAF60-02000005	GUIDE RUBBER, A	1
4	PAF60-02000006	GUIDE RUBBER, B	1
5	PAF60-02010006	OIL SUMP	1
6	PAGB/T97.1-8	WASHER 8	1
7	PAGB/T5783-M18x30	NUT M5x30	1
8	PAF15-04000003	GASKET	1
9	PAF15-04000002	BOLT, OIL DRAIN	1
10	PAF60-02000009A	JACKET, OIL DRAIN	1
11	PAF15-00000006	PIN, DOWEL	1
12	PAF60-02010004	BRACKET, COARSE STRAINER	1
13	PAJASOF40424-012	O RING 12.5x2.4	1
14	PAF60-02010005	BRACKET, COARE STRAINER	1
15	PAGB/T97.1-6	WASHER, PLAIN 6	1
16	PAGB/T5783-M6x25	HEXAGON BOLT M6x25	1
17	PAGB/T5782-M8x80	BOLT M8X80	1



PARSUN® F60 / F50

BOMBA DE ACEITE ELÉCTRICA / ELECTRIC OIL PUMP / POMPA OLIO ELLETRICA

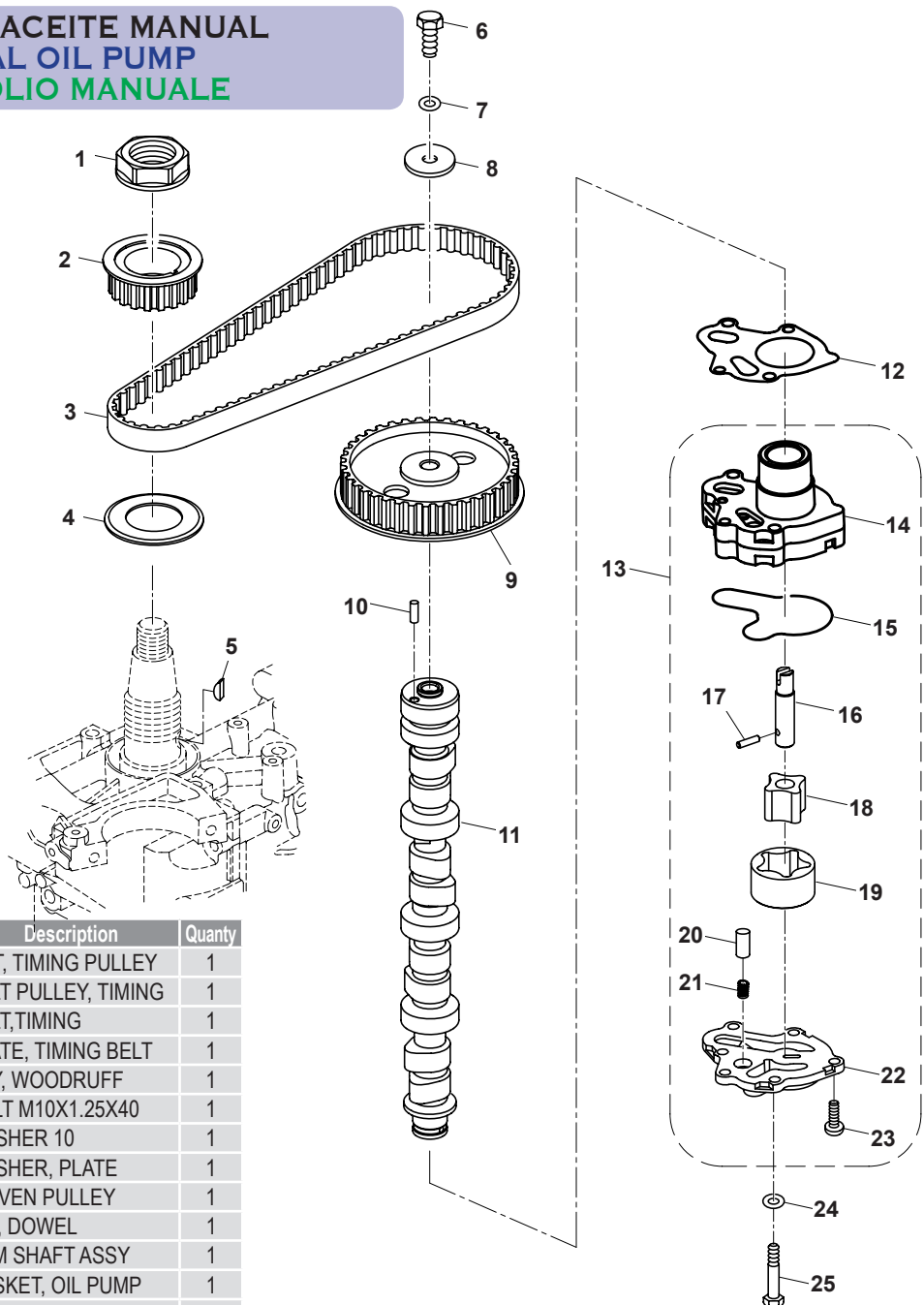


Nº	Ref.	Description	Qty	Nº	Ref.	Description	Qty
1	PAF60-05000025	AIR PIPE C 5x10x260	1	11	PAS7133-13.3	SINGLE LUG CLAMP	4
2	PAT5-04000200	CHECK VALVE	1	12	PAF40-05100010EI	SHAPED TUBE A, FUEL PUMP	1
3	PAF60-05000019	AIR PIPE C 5x10x60(EPA)	1	13	PAF40-05100004EI	SHAPED TUBE B, FUEL PUMP	1
4	PAF60-05000016	AIR PIPE B 5x10x270	1	14	PAF40-05100202EI	CAP, DETECTION VALVE	1
5	PAF60-05000054	PLASTIC THREE WAY 6.5	1	15	PAF40-05100201EI	DETECTION VALVE, FUEL PUMP	1
6	PAF60-05000053	FUEL PIPE	1	16	PAF40-05100600EI	PRESSURE REGULATOR VALVE	1
7	PAF40-05100000EI	ELECTRIC FUEL PUMP ASSY	1	17	PAF40-05100601EI	O-RING, PRESSURE REGULATOR VALVE	1
8	PAF40-05010400EI	JOINT ASSY, FUEL PUMP	1	18	PAF40-05100600-1EI	WASHER, PRESSURE REGULATOR VALVE	2
9	PAGB/T3452.1-15.8x3.1	O-RING 15.8x3.1	1				
10	PAF40-05100100EI	BODY ASSY, FUEL PUMP	1				

Nº	Ref.	Description	Quantity
19	PAF40-05100602EI	CONDUIT TUBE	1
20	PAF40-05100603EI	PALTE, PRESSURE REGULATOR VALVE	1
21	PAGB/T818-M15x12	SCREW M5x12	2
22	PAGB/T818-M4x16	SCREW M4x16	5
23	PAGB/T93-4	WASHER, SPRING	5
24	PAF40-05100301EI	NEEDLE VALVE	1
25	PAF40-05100302EI	CLAMP SPRING, NEEDLE VALVE	1
26	PAF40-05100003EI	BAFFLE PLATE	1
27	PAGB/T818-M4x8	BOLT	4
28	PAF40-05100001EI	FLOAT	1
29	PAF40-05100002EI	PIN, FLOAT	1
30	PAF40-05100500EI	FUEL PUMP ASSY	1

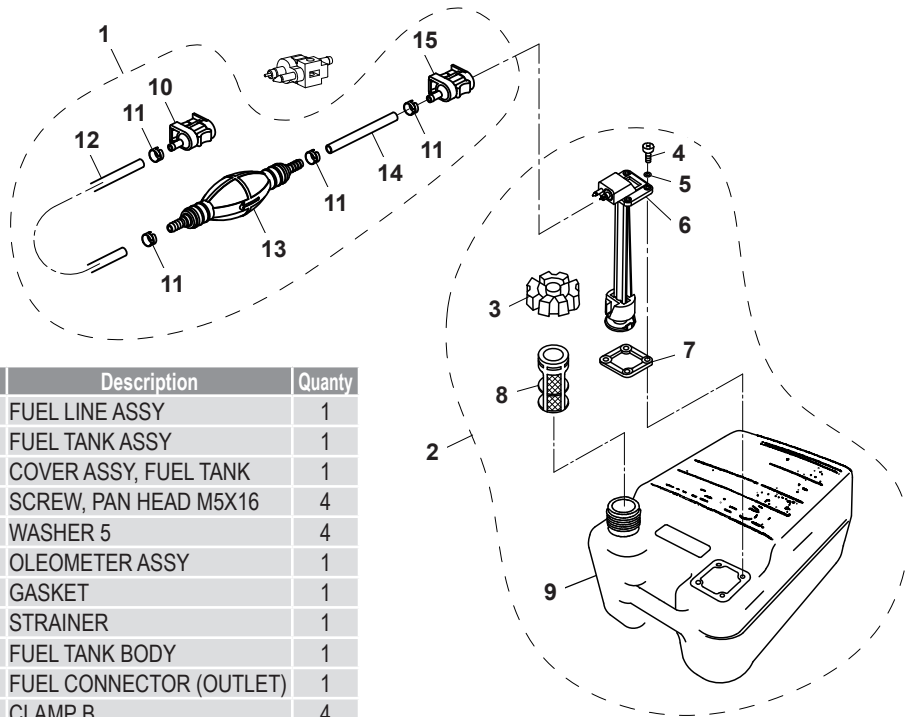
Nº	Ref.	Description	Quantity
31	PAF40-05100501EI	RUBBER SLEEVE, FUEL PUMP	1
32	PAF40-05100504EI	PADDING BLOCK, FUEL PUMP	1
33	PAF40-05100503EI	RUBBER PAD, FUEL PUMP	1
34	PAF40-05100502EI	FILTER NET, FUEL PUMP	1
35	PAF40-05100704EI	SEAL, FUEL CAP	1
36	PAF40-05100701EI	FUEL CAP, ELECTRIC PUMP	1
37	PAF25-05090005	BUSH, IGNITION	3
38	PAF25-05090004	BUSH, DAMPING	3
39	PAF40-05100800EI	COOLER, FUEL	1
40	PAGB/T97.1-6	WASHER, PLAIN 6	1
41	PAGB/T5783-M6x25	HEXAGON BOLT M6x25	4
42	PAGB/T96-6	LARGE WASHER 6	3
43	PAF40-05100703EI	DRAIN BOLT, FUEL CUP	1

BOMBA DE ACEITE MANUAL MANUAL OIL PUMP POMPA OLIO MANUALE



Nº	Ref.	Description	Quantity
1	PAF40-05000007	NUT, TIMING PULLEY	1
2	PAF25-05000021	BELT PULLEY, TIMING	1
3	PAF25-05000023	BELT, TIMING	1
4	PAF40-05000008	PLATE, TIMING BELT	1
5	PAF4-04000019	KEY, WOODRUFF	1
6	PAGB/T5785-M10x1.25x40	BOLT M10X1.25X40	1
7	PAGB/T97.1-10	WASHER 10	1
8	PAF25-05050018	WASHER, PLATE	1
9	PAF40-05040006	DRIVEN PULLEY	1
10	PAF25-05050016	PIN, DOWEL	1
11	PAF60-05020200	CAM SHAFT ASSY	1
12	PAF40-05040407	GASKET, OIL PUMP	1
13	PAF40-05040400	OIL PUMP ASSY	1
24	PAGB/T97.1-6	WASHER, PLAIN 6	4
25	PAGB/T5782-M6x40	BOLT M6X40	4

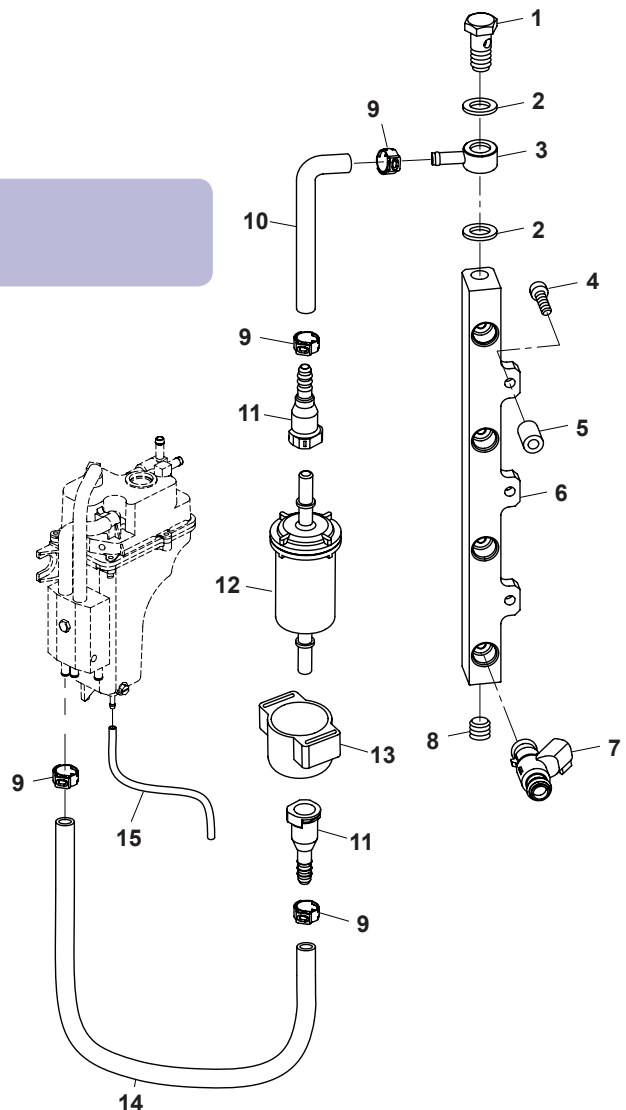
DEPÓSITO EXTERNO / OUTER FUEL TANK / SERBATOIO ESTERNO



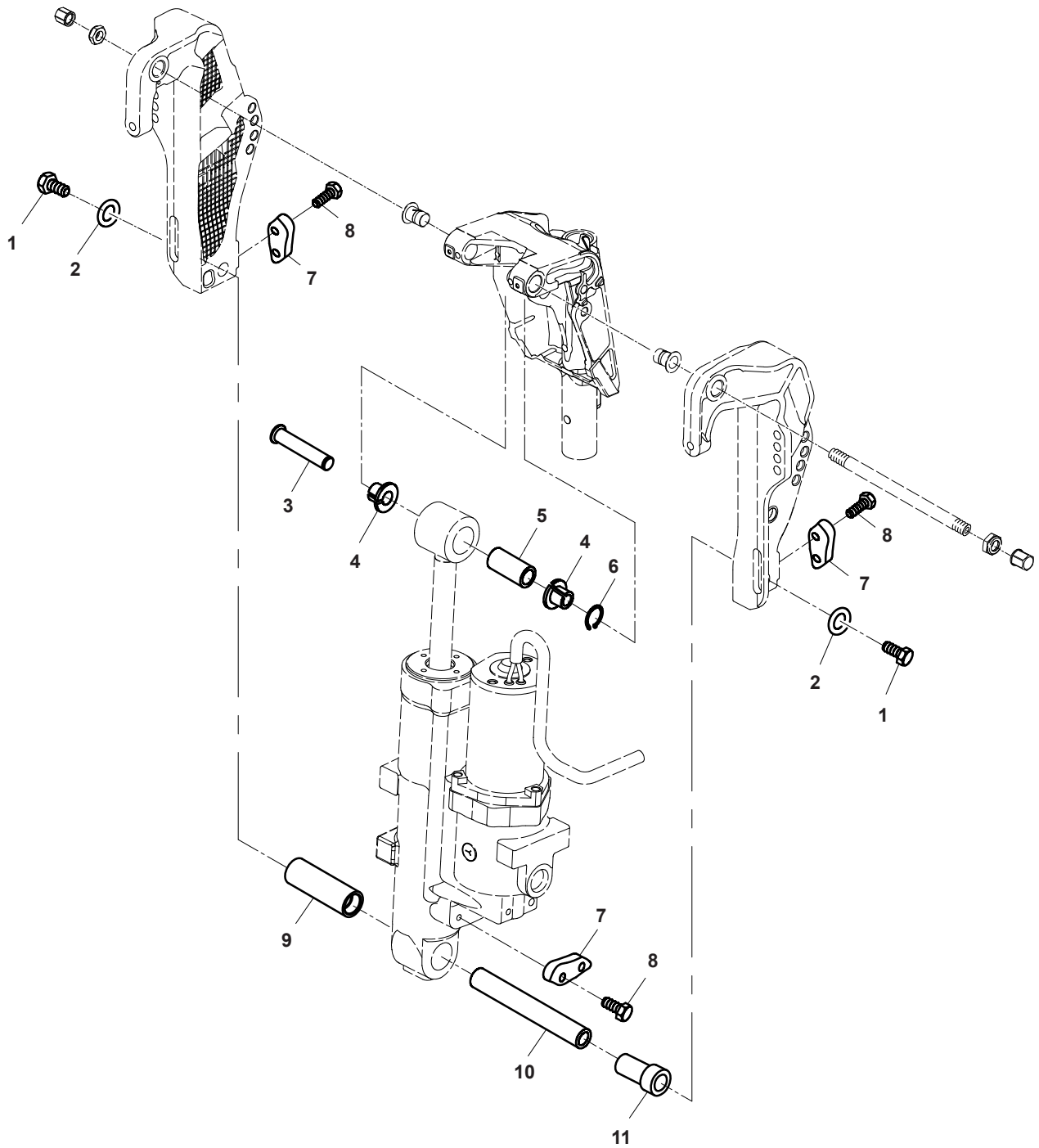
Nº	Ref.	Description	Quantity
1	PAF15-09000000	FUEL LINE ASSY	1
2	PAF15-10000000	FUEL TANK ASSY	1
3	PAF15-10010000	COVER ASSY, FUEL TANK	1
4	PAGB/T818-M5X16	SCREW, PAN HEAD M5X16	4
5	PAGB/T97.1-5	WASHER 5	4
6	PAF15-10020000	OLEOMETER ASSY	1
7	PAF15-10000003	GASKET	1
8	PAF15-10000002	STRAINER	1
9	PAF8-10000001	FUEL TANK BODY	1
10	PAF15-09020000	FUEL CONNECTOR (OUTLET)	1
11	PAF15-09000003	CLAMP B	4
12	PAF15-09000001	FUEL PIPE A 10x6x2080	1
13	PAF15-09030000	PRIMP BULB ASSY	1
14	PAF15-09000002	FUEL PIPE B 10x6x850	1
15	PAF15-09010000	FUEL CONNECTOR (INLET)	1

CIRCUITO COMBUSTIBLE FUEL COMMON RAIL CIRCUITO DI CARBURANTE

Nº	Ref.	Description	Quantity
1	PAF40-05000046EI	BOLT, ADAPTER	1
2	PAGB/T982-12	COMPOUND SEAL WASHER 12	2
3	PAF40-05000045EI	ADAPTER, COMMON RAIL	1
4	PAGB/T70.1-M6x35	INNER HEXAGON BOLT M6x35	3
5	PAF40-05000044EI	BUSHING, COMMON RAIL	3
6	PAF60-05000024	COMMON RAIL, FUEL	1
7	PAF40-05090300EI	FUEL INJECTOR	4
8	PAF15-07010004	BLOCK, CYLINDER 1/8"	1
9	PA7133-13.3	CLAMP 13.3	4
10	PAF40-05000021EI	FUEL PIPE B	1
11	PAF40-05000040EI	JOINT A, FUEL FILTER	2
12	PAF40-05091100EI	FUEL FILTER	1
13	PAF25-07150301W	RELAY JACKET	1
14	PAF60-05000008	FULE PIPE C 6x12.5x780(EPA)	1
15	PAF40-05100511EI	DRAIN PIPE, FUEL PUMP	1



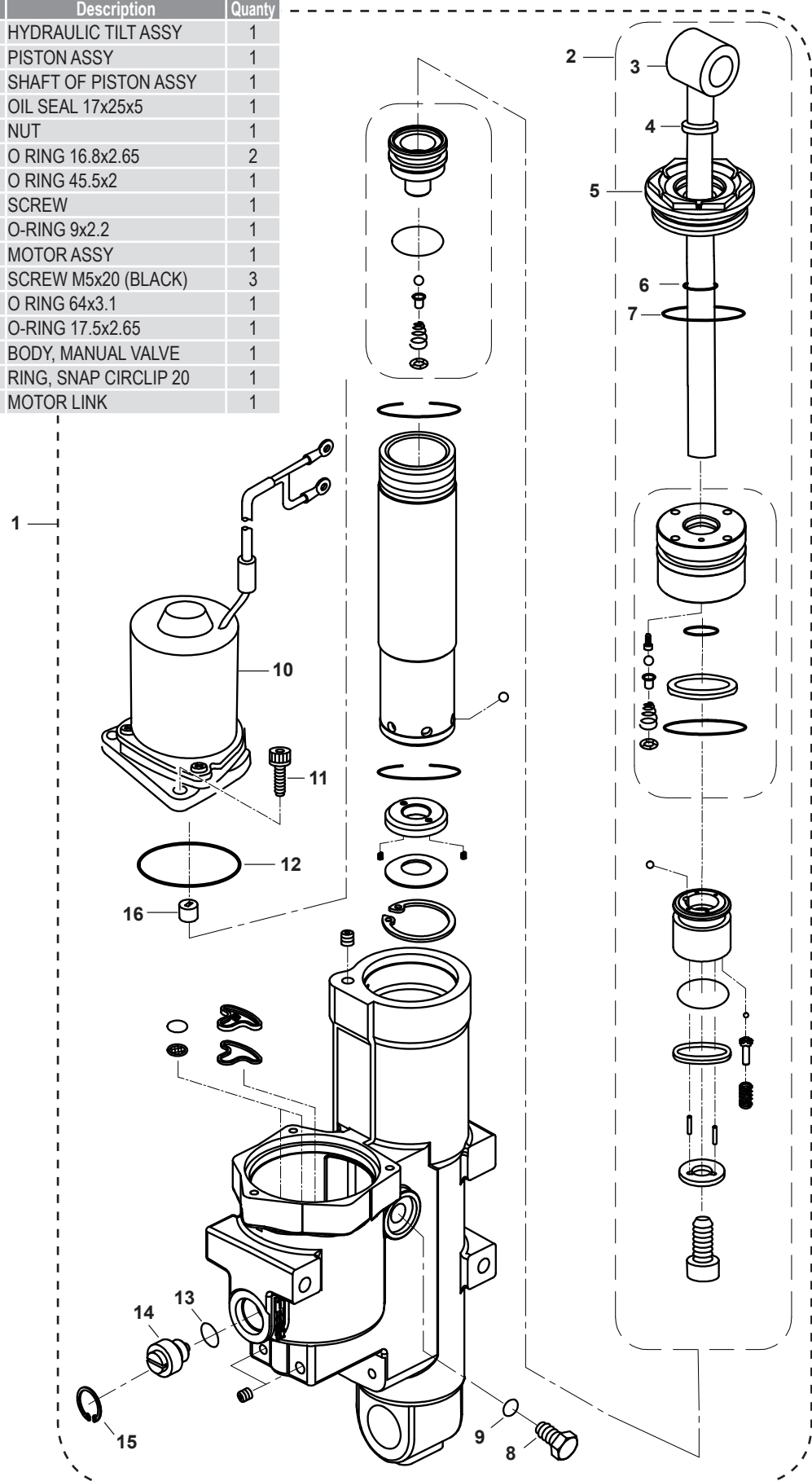
TILT HIDRÁULICO 1 / HYDRAULIC TILT 1 / TILT IDRAULICO 1



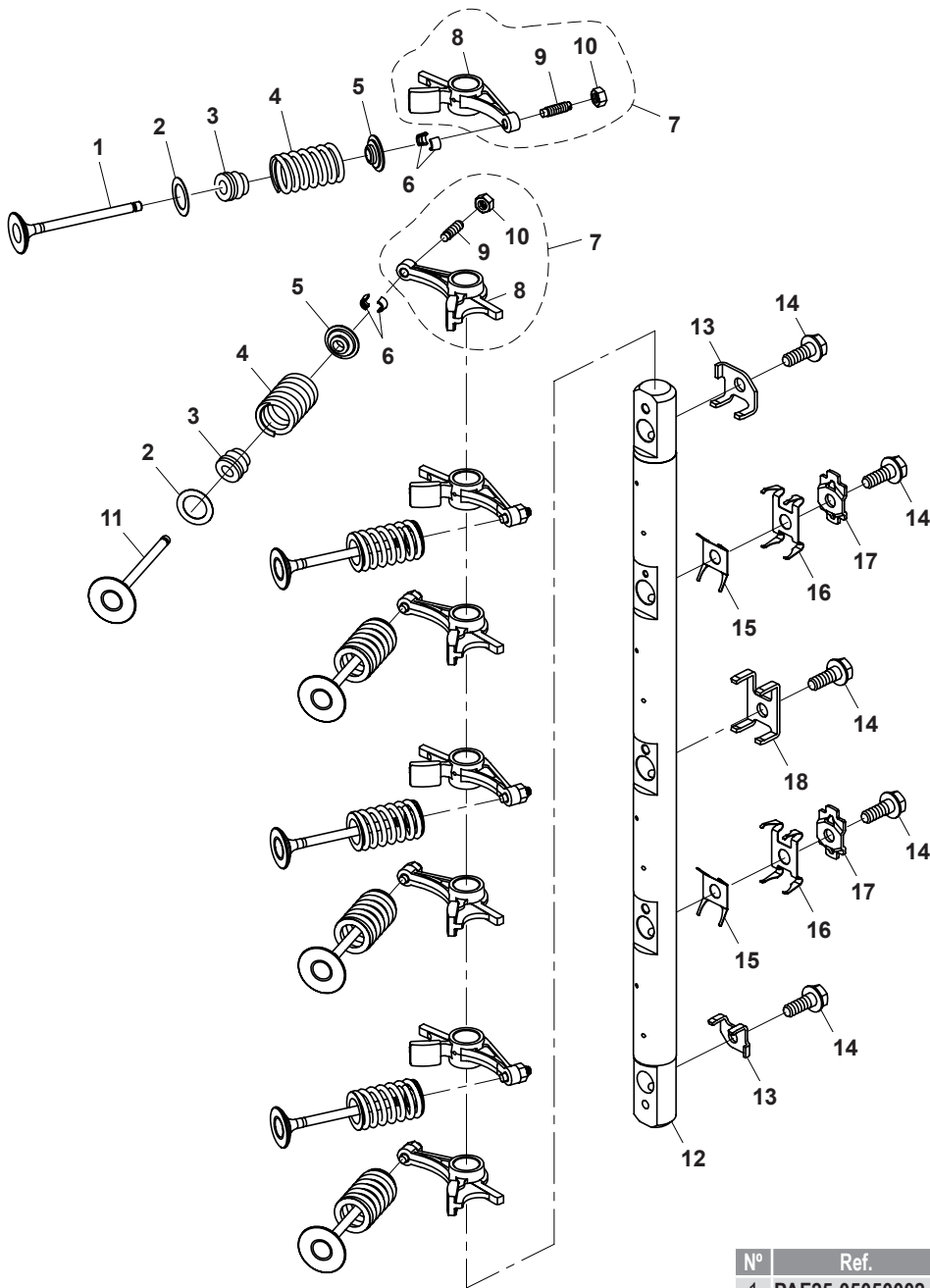
Nº	Ref.	Description	Quantity
1	PAGB/T5785-M10x1.25x30	BOLT M10x1.25x30	2
2	PAF60-00000015	WASHER 10	2
3	PAT85-00000016	PIN UPPER SHOCK MOUNT	1
4	PAT85-00000017	BUSH A	2
5	PAT85-01010007	BUSH	1
6	PAGB/T894.1-18	CIRCLIP 18	1
7	PAE10-01010008	ANODE	3
8	PAGB/T5783-M6x25	HEXAGON BOLT M6x25	6
9	PAF60-00000012	BUSH A	1
10	PAF60-00000011	PIN	1
11	PAF60-00000013	BUSH B	1

TILT HIDRÁULICA 2 / HYDRAULIC TILT 2 / TILT IDRAULICO 2

Nº	Ref.	Description	Quantity
1	PAF60-06000000	HYDRAULIC TILT ASSY	1
2	PAF60-06010000	PISTON ASSY	1
3	PAF60-06010100	SHAFT OF PISTON ASSY	1
4	PAF60-06010003	OIL SEAL 17x25x5	1
5	PAF60-06010002	NUT	1
6	PAGB/T3452.1-16.8x2.65	O RING 16.8x2.65	2
7	PAJISFG46	O RING 45.5x2	1
8	PAT85-06010009	SCREW	1
9	PAGB/T3452.1-9x2.2	O-RING 9x2.2	1
10	PAF60-06030000	MOTOR ASSY	1
11	PAGB/T70.1-M5x20	SCREW M5x20 (BLACK)	3
12	PAJASOF40431-065	O RING 64x3.1	1
13	PAT85-06020015	O-RING 17.5x2.65	1
14	PA60-06000005	BODY, MANUAL VALVE	1
15	PAGB/T893.1-20	RING, SNAP CIRCLIP 20	1
16	PAF60-06000010	MOTOR LINK	1



VÁLVULA / VALVE / VALVOLA



Nº	Ref.	Description	Quantity
1	PAF25-05050002	VALVE, EXHAUST	4
2	PAF25-05050003	SEAL, VALVE SPRING	8
3	PAPS2700.04.03	SEAL, VALVE STEM	8
4	PAF25-05050005	SPRING, VALVE	8
5	PAF15-07040006	RETAINER, VALVE SPRING	8
6	PAF15-07040007	COTTER, VALVE	16
7	PAF25-05050300	ROCKET ASSY	8
8	PAF25-05050301	ROCKET	8
9	PAF15-07040303	SCREW, VALVE ADJUSTING	8
10	PAF15-07040304	NUT	8
11	PAF25-05050001	VALVE, INTAKE	4
12	PAF60-05020001	ROCKER SHAFT	1
13	PAF25-05050009	PLATE A, BOLT STOPPER	2
14	PAF25-05050019	BOLT	5
15	PAF40-05040002	SUPPORTING PLATE, SPRING PLATE	2
16	PAF25-05050011	SPRING	2
17	PAF25-05050012	PLATE B, BOLT STOPPER	2
18	PAF40-05040003	FIXED PLATE B, ROCKER SHAFT	1

WWW.RECAMBIOSMARINOS.ES

BARCELONA

Jocelyn Bell, 26
Pol. Ca n'Alemany
08840 Viladecans (Barcelona)
Tel. 902 10 85 85 - 93 633 34 80
Fax 93 662 66 59

International
phone: (+34) 93 662 66 55
Fax (+34) 93 662 66 59

info@recambiosmarinos.es
www.recambiosmarinos.es

GIRONA

C/ Gironés, 5
Pol. Ind. El Plà
17486 Castelló d'Empúries (Girona)
Tel. 972 158 809
Fax 972 250 886

girona@recambiosmarinos.es

CANARIAS

Avda. Los Majuelos, 14
38108 La Laguna (Tenerife)
Tel. (+34) 922 621 499
Móvil 628 592 042

canarias@recambiosmarinos.es

ITALIA

RECMAR SRL
Via Israele 10 H
Zona Industriale Settore 7
07026 Olbia (OT)

Tel. (+39) 0789 51962
Fax (+39) 0789 600177
sales@recmar.it